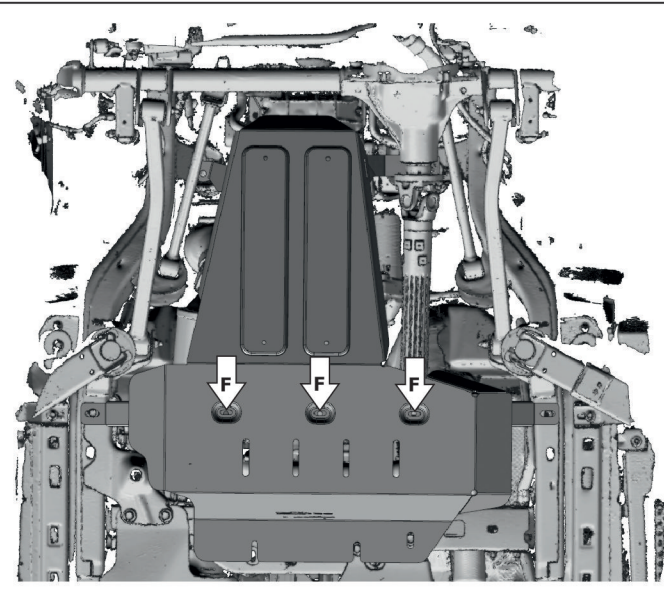
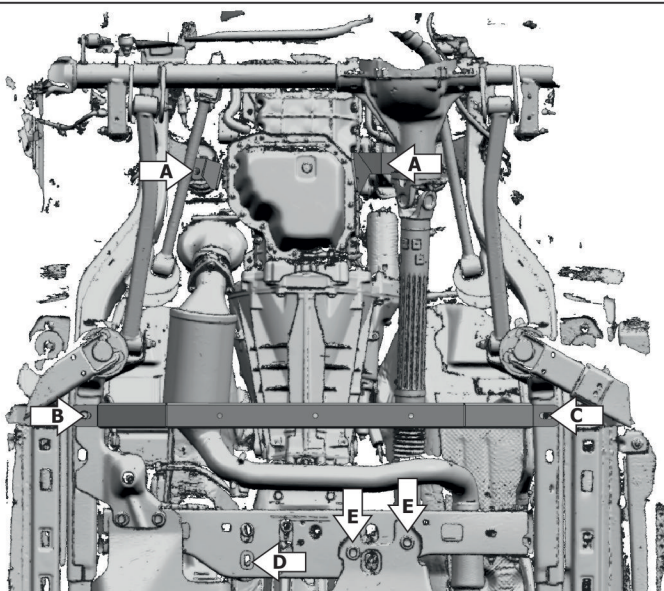
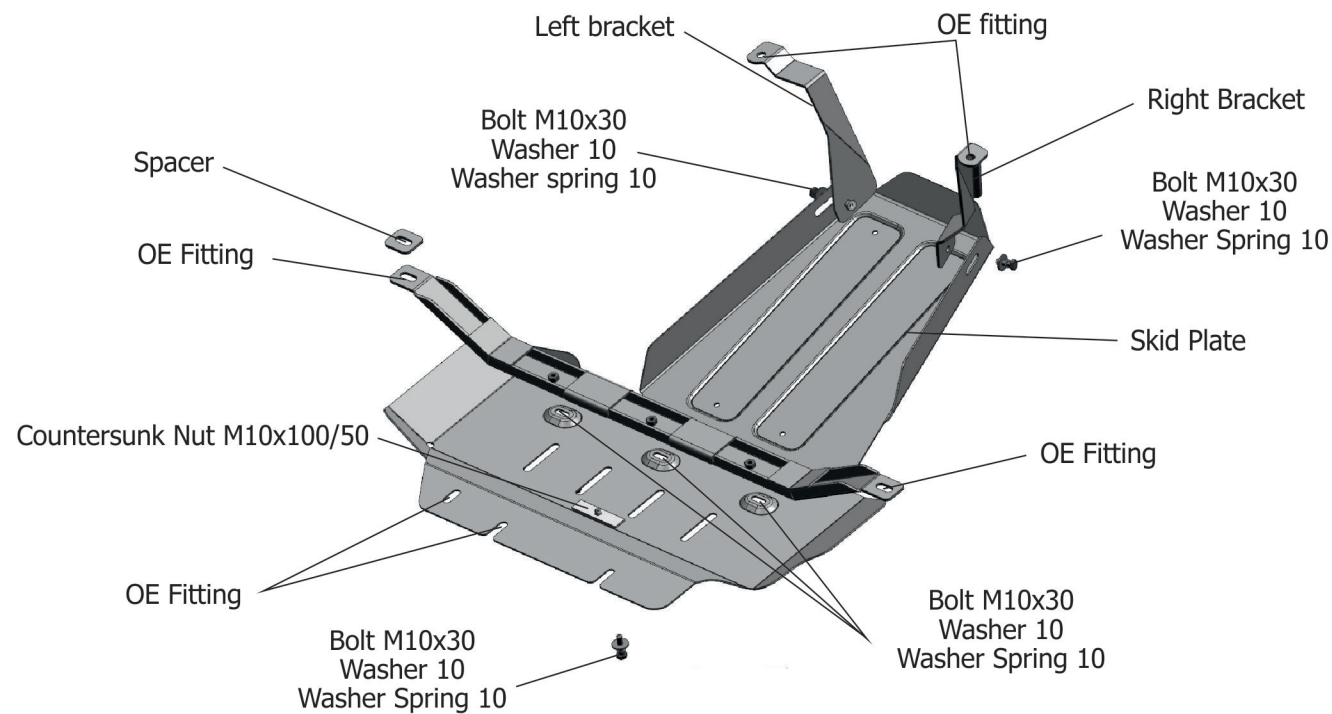


Brand	Model	Year	Engine	Gearbox	Drive
Jeep	Wrangler	2007-	2,8d	Manual	Full



Installation Instructions:

- 1.Remove OE transfer case protection and cross beam.
- 2.Mount left and right brackets using OE fittings (A).
- 3.Mount beam on OE holes using OE fittings through the spacer on the left side (B) and (C).
- 4.Mount countersunk nut over the hole in chassis (D) And screw in bolt M10x40 for a 2-3 turns.
- 5.Screw in OE fittings for a few turns (E).
- 6.Mount skid plate: rear part mount on installed bolts, front part mount on brackets using bolts M10x30, middle part mount on beam using bolts M10x30 (F).
- 7.Tighten all screws with required torque.

Content:

Name	QTY	Torque
1.Bolt M10x30	5 pcs.	47.0 Nm
2.Bolt M10x40	1 pc.	47.0 Nm
3.Washer 10	6 pcs.	
4.Washer spring 10	6 pcs.	
5.Countersunk nut M10x100/50	1 pc.	
6.Left bracket	1 pc.	
7.Right bracket	1 pc.	
8.Beam	1 pc.	
9. Spacer	1 pc.	