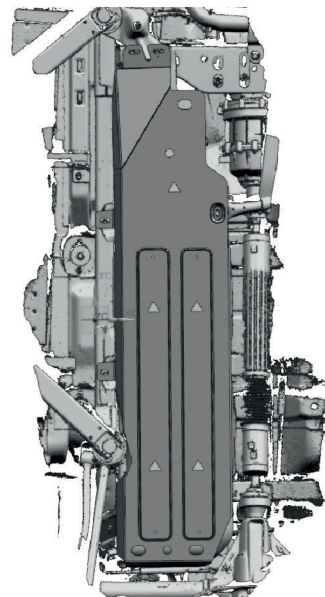
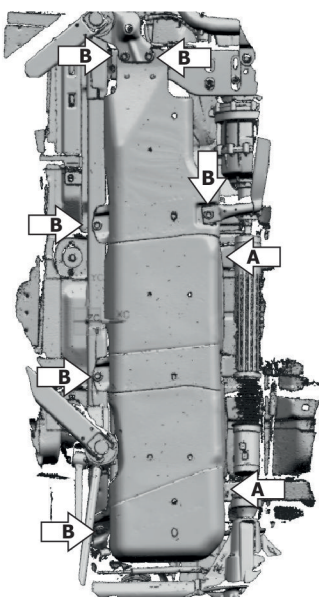
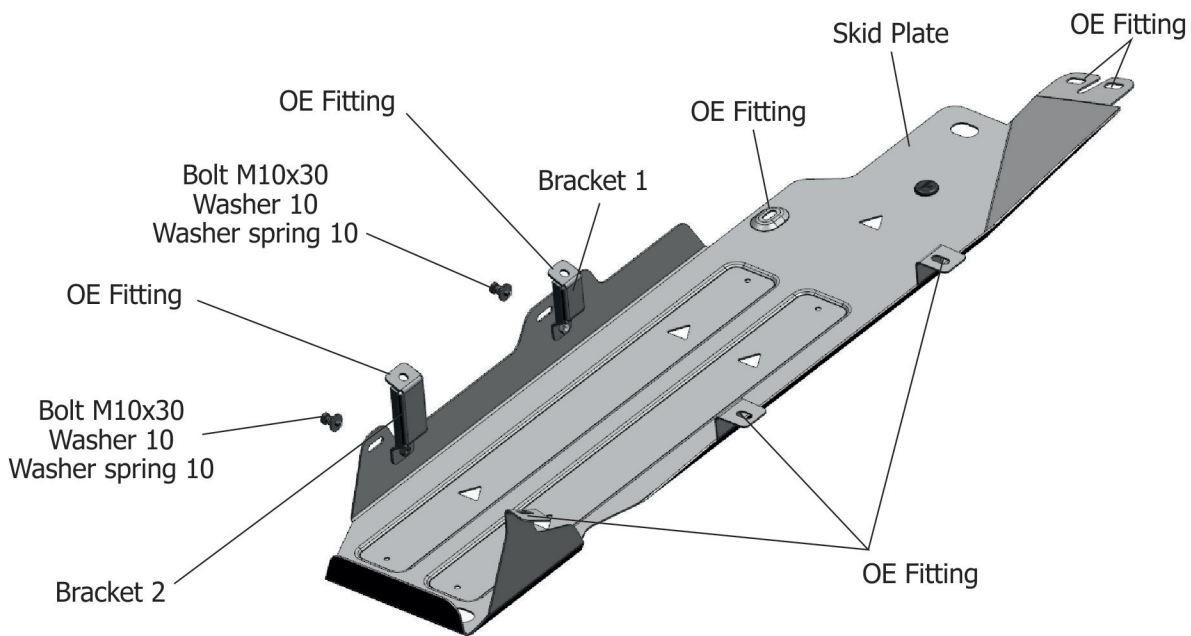


Brand	Model	Year	Engine	Gearbox	Drive
Jeep	Wrangler	2007-	2,8d	Manual	Full



Installation Instructions:

- 1.Skid plate is installed over OE protection.
- 2.Unscrew rear left and middle bolts of fuel tank mount (A) and mount brackets 1 and 2 using OE fittings.
- 3.Unscrew OE bolts of fuel tank mount (B) and mount skid plate using OE fittings.
- 4.Fix skid plate on installed brackets using bolts M10x30 with washers and washers spring.
- 5.Tighten all screws with required torque.

Content:

Name	QTY	Torque
1.Bolt M10x30	2 pcs.	47.0 Nm
2.Washer 10	2 pcs.	
3.Washer spring 10	2 pcs.	
4.Bracket 1	1 pc.	
Bracket 2	1 pc.	