

\*For more info about compatibility with other models  
please see the sticker on the skid plate

## JEEP WRANGLER JK (2/4 door)

No.: 2718.1/6 Steering rods

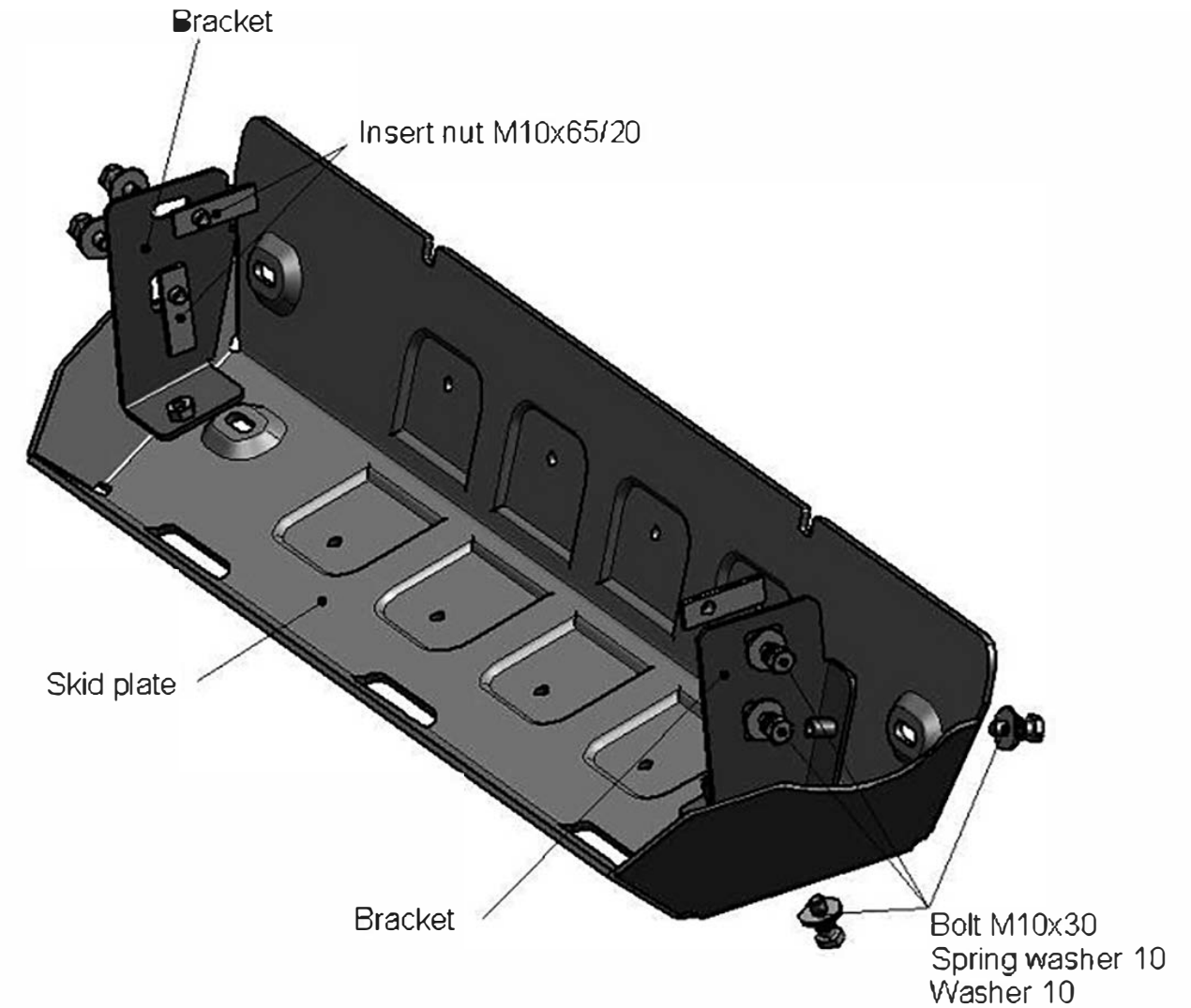
Year: 2012-

Engine: 3.6

Transmission: All

### FITTING KIT

1. Bolt M10x30.....	8 pc
2. Washer 10.....	8 pc
3. Spring washer 10.....	8 pc
4. Insert nut M10x65/20.....	4 pc
5. Bracket.....	2 pc



## INSTALLATION INSTRUCTIONS

1. Mount brackets to cross-bar with insert nuts M10x65/20 and bolts M10x30.
2. Fix skid plate to mounted insert nuts and to mounted brackets with bolts M10x30.
3. Tighten all screws (50 Nm for M10, 30 Nm for M8, 10 Nm for M6). Do not use pneumatic or power tools to tighten.

