

JEEP WRANGLER JK

No.: 2721.1/6 Fuel tank;

Body: 2 door

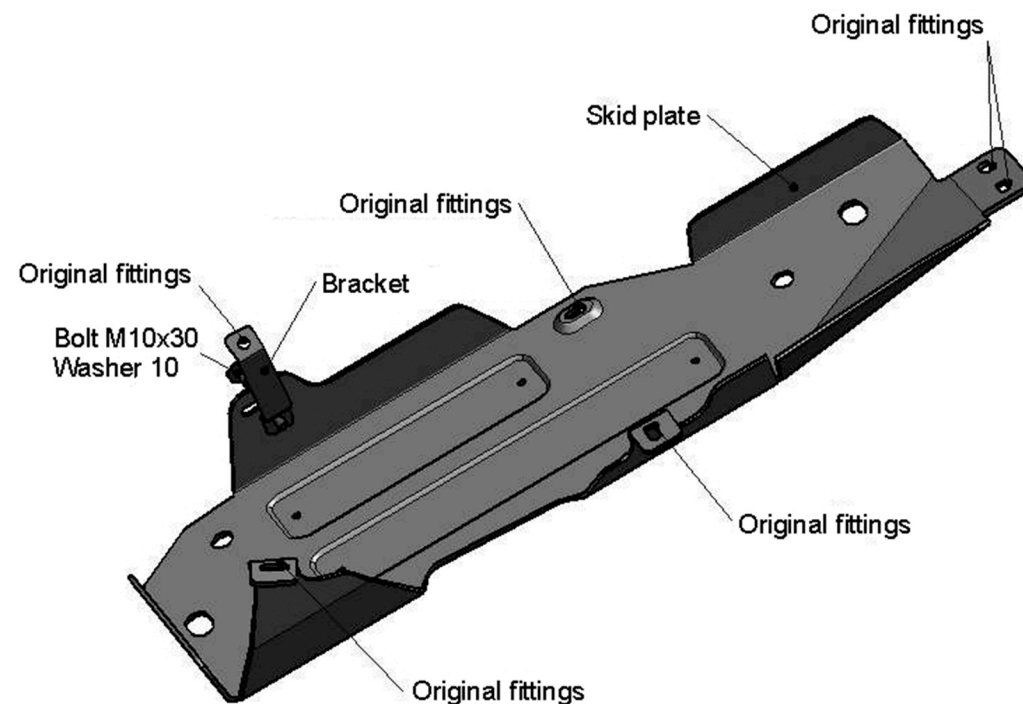
Year: 2007-

Engine: 3.6

Transmission: AT

FITTING KIT

- | | |
|---------------------|------|
| 1. Bolt M10x30..... | 1 pc |
| 2. Washer 10..... | 1 pc |
| 3. Bracket..... | 1 pc |



INSTALLATION INSTRUCTIONS

1. Fuel tank skid plate is installed over the original guard!
2. Screw rear left fitting bolt out of fuel tank, then mount bracket to the same fitting point and fix it with original fittings..
3. Screw original fitting bolts out of fuel tank, then mount skid plate to the same fitting points with original fittings.
4. Fix skid plate to mounted bracket with bolt M10x30.
5. Tighten all screws (50 Nm for M10, 30 Nm for M8, 10 Nm for M6). Use of pneumatic tools is prohibited.