

*For more info about compatibility with other models
please see the sticker on the skid plate

JEEP WRANGLER JK

No.: 2724.1/6 Fuel tank

Body: 4 door

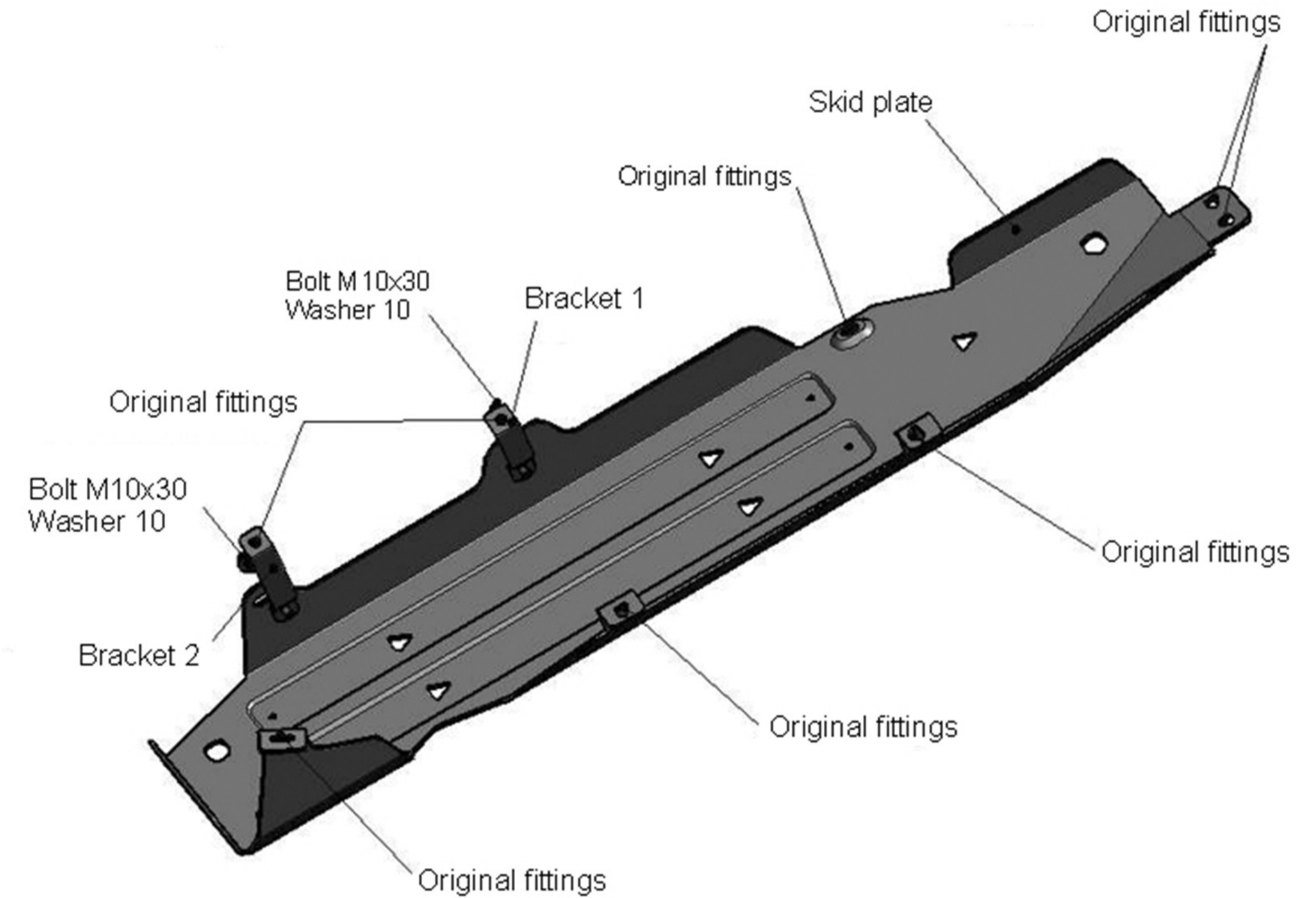
Year: 2007-

Engine: 3.6

Transmission: AT

FITTING KIT

1. Bolt M10x30.....	2 pc
2. Washer 10.....	2 pc
3. Bracket 1.....	1 pc
4. Bracket 2.....	1 pc



INSTALLATION INSTRUCTIONS

1. Fuel tank skid plate is installed over the original guard!
2. Screw rear left and middle left fitting bolts out of fuel tank, then mount brackets 1 and 2 to the same fitting points and fix with original fittings.
3. Screw original bolts out of fuel tank, then mount skid plate to the same fitting points with original fittings.
4. Fix skid plate to mounted brackets with bolts M10x30.
5. Tighten all screws (50 Nm for M10, 30 Nm for M8, 10 Nm for M6). Use of pneumatic tools is prohibited.