

## NISSAN PATROL Y61

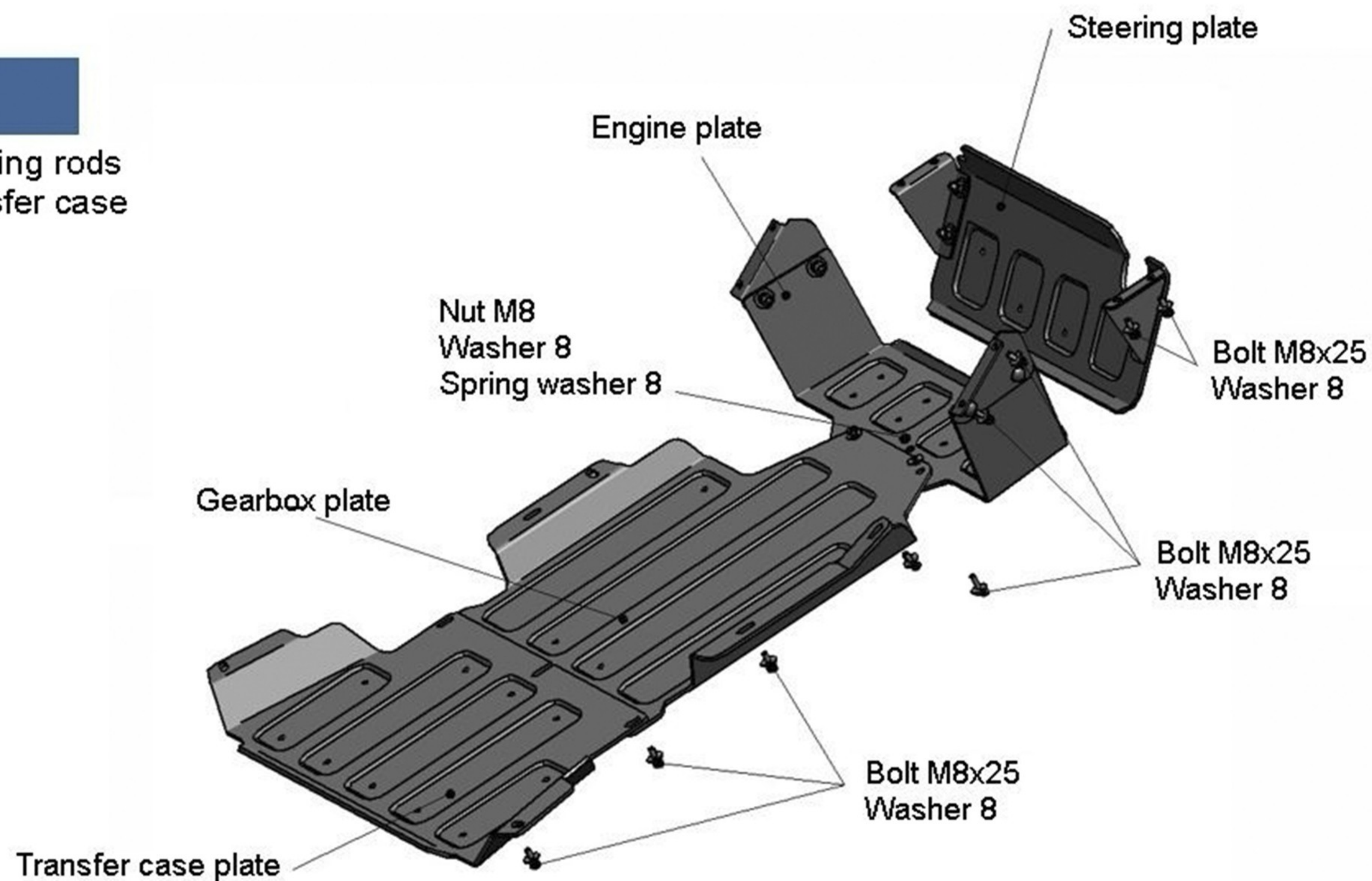
No.: 4114.1.6 Engine block; 4115.1.6 Steering rods  
4116.1.6 Gearbox; 4117.1.6 Transfer case

Year: 2016-  
Engine: 3.0; 4.8  
Transmission: MANUAL

## FITTING KIT

1. Bolt M8x25.....	19 pc
2. Nut M8.....	2 pc
3. Washer 8.....	21 pc
4. Spring washer 8.....	2 pc

\*For more info about compatibility with other models  
please see the sticker on the skid plate



## INSTALLATION INSTRUCTIONS

1. Remove OE guards.
2. Mount skid plates to OE fitting points with bolts M8x25.
3. Connect engine plate with gearbox plate by bolts M8x25 and nuts M8.
4. Tighten all screws (50 Nm for M10, 30 Nm for M8, 10 Nm for M6). Do not use pneumatic or power tools to tighten.