

*For more info about compatibility with other models
please see the sticker on the skid plate

SUZUKI JIMNY

No.: 5514.1 Steering rods

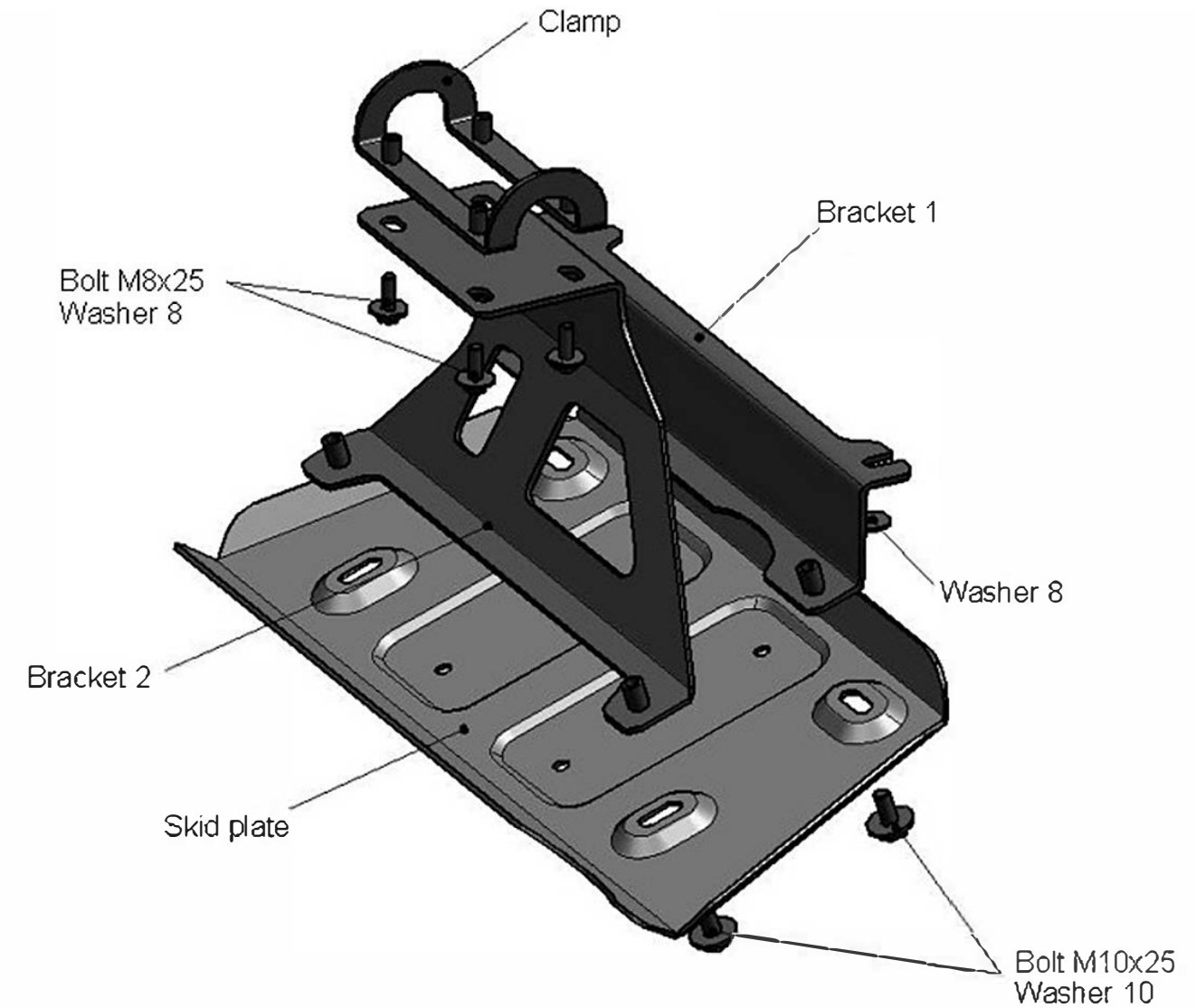
Year: 2005-

Engine: 1.3

Transmission: AT

FITTING KIT

1. Bolt M8x25.....	4 pc
2. Bolt M10x25.....	4 pc
3. Washer 8.....	6 pc
4. Washer 10.....	4 pc
5. Clamp.....	1 pc
6. Bracket 1.....	1 pc
7. Bracket 2.....	1 pc



INSTALLATION INSTRUCTIONS

1. Screw 2 original bolts out of stabilizer, then fix bracket 1 to same points with original bolts through washers 8.
2. Place clamp above cross-bar, then fix bracket 2 to it with bolts M8x25.
3. Fix skid plate to mounted brackets with bolts M10x25.
4. Tighten all screws (50 Nm for M10, 30 Nm for M8, 10 Nm for M6). Do not use pneumatic or power tools to tighten.