

*For more info about compatibility with other models
please see the sticker on the skid plate

SUZUKI JIMNY

No.: 5515.1 Transfer case

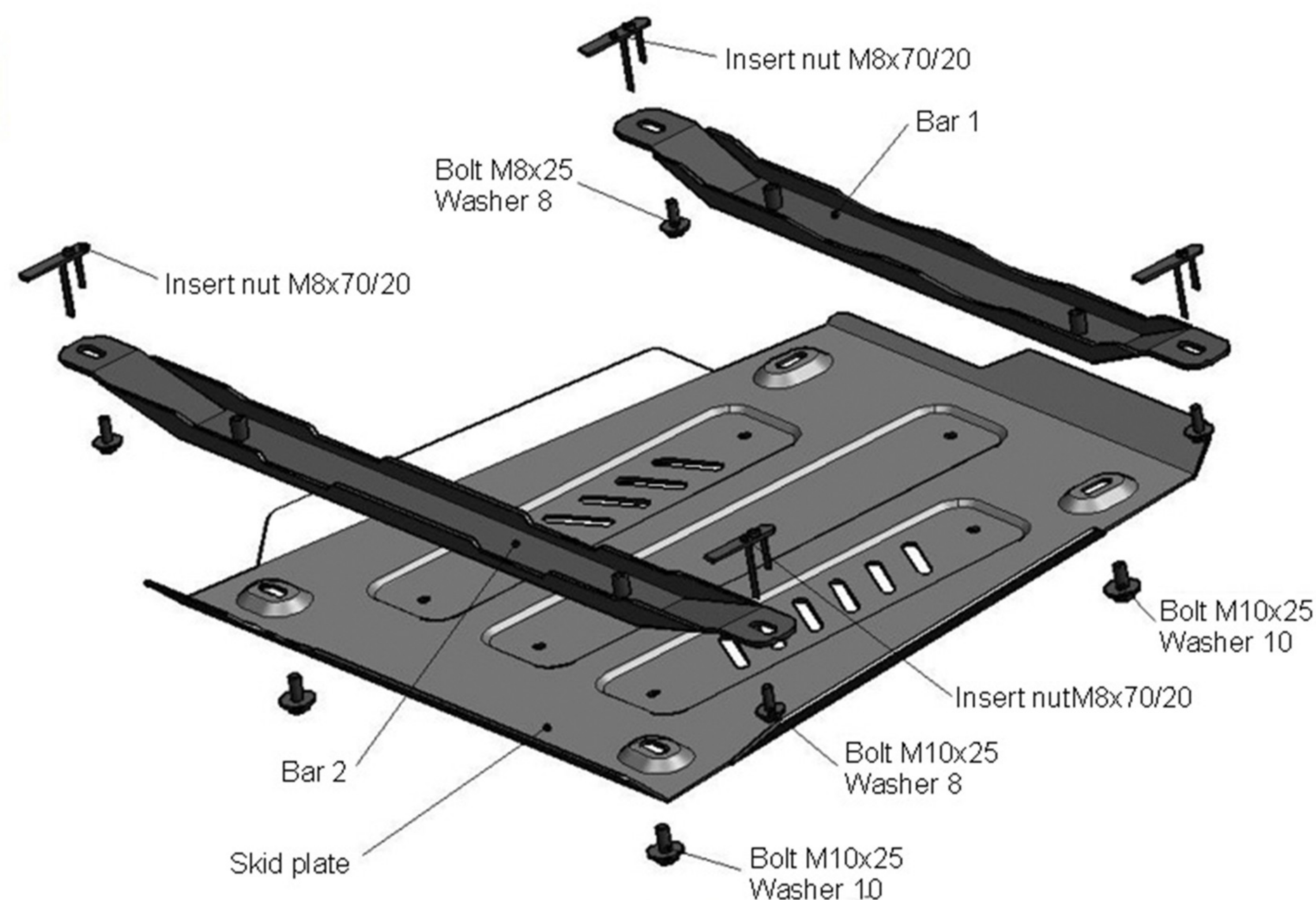
Year: 2005-

Engine: 1.3

Transmission: AT

FITTING KIT

1. Bolt M8x25.....	4 pc
2. Bolt M10x25.....	4 pc
3. Insert nut M8x70/20.....	4 pc
4. Washer 8.....	4 pc
5. Washer 10.....	4 pc
6. Bar 1.....	1 pc
7. Bar 2.....	1 pc



INSTALLATION INSTRUCTIONS

1. Mount insert nuts M8x70/20 into apertures in car body and fix them with wires.
2. Fix bar 1 and bar 2 to mounted insert nuts M8x70/20 with bolts M8x25.
3. Mount skid plate to mounted bars 1 and 2 with bolts M10x25.
4. Tighten all screws (50 Nm for M10, 30 Nm for M8, 10 Nm for M6). Do not use pneumatic or power tools to tighten.