

*For more info about compatibility with other models
please see the sticker on the skid plate

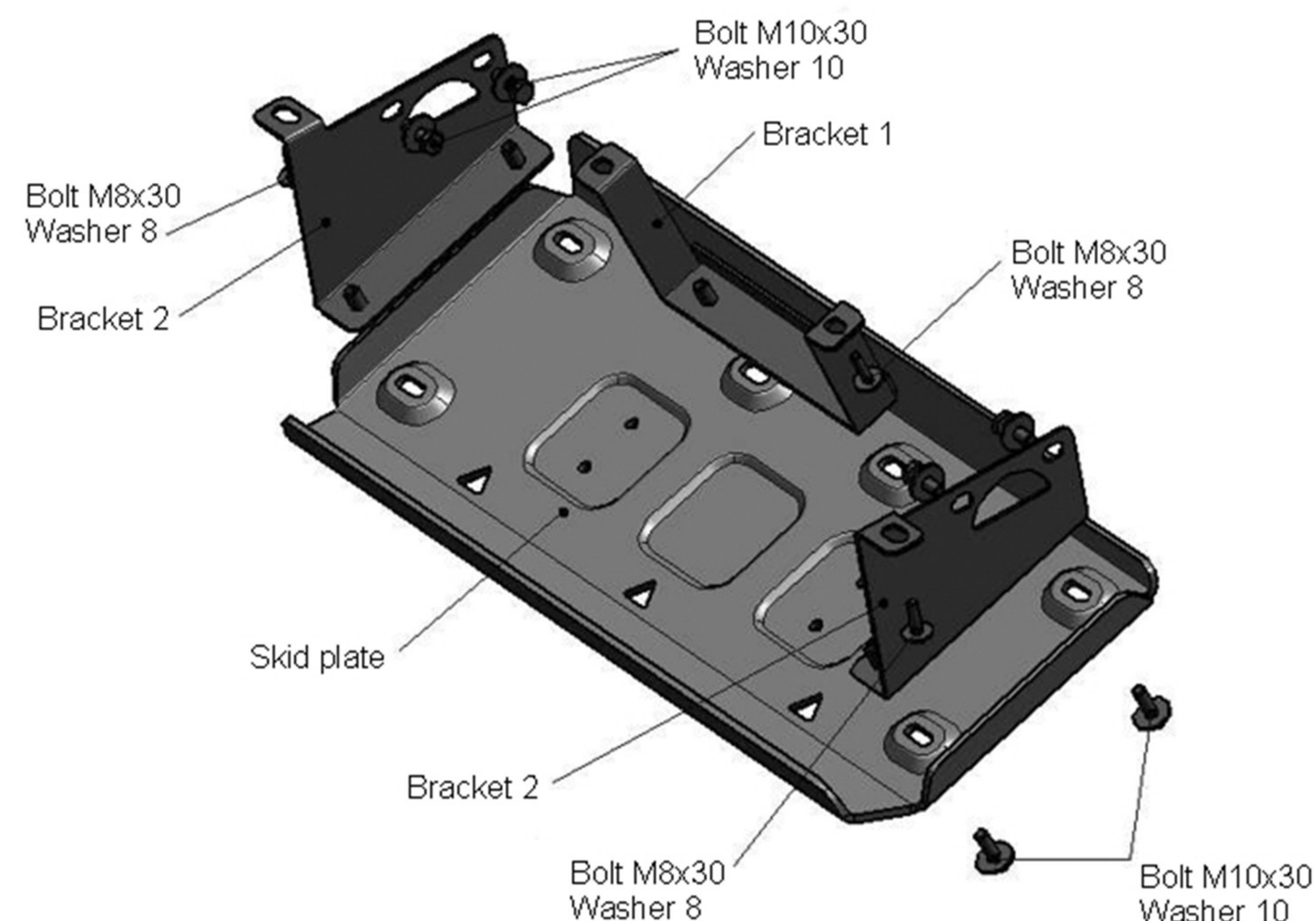
TOYOTA LAND CRUISER 78/79

No.: 2333.5786.1/6 Steering rods

Body: All
Year: 2007-
Engine: 4.2
Transmission: MT

FITTING KIT

1. Bolt M8x30.....	4 pc
2. Bolt M10x30.....	10 pc
3. Washer 8.....	4 pc
4. Washer 10.....	10 pc
5. Bracket 1.....	1 pc
6. Bracket 2.....	2 pc



INSTALLATION INSTRUCTIONS

1. Mount bracket 1 to original threaded apertures with bolts M8x30.
2. Remove original tow hook, then mount brackets 2 to original threaded apertures with bolts M10x30 and bolts M8x30.
3. Mount skid plate to mounted brackets with bolts M10x30.
4. Make holes in the second original plastic cover, then mount insert nuts M8 and screw bolts M8x40 into them through the plastic cover.
5. Tighten all screws (50 Nm for M10, 30 Nm for M8, 10 Nm for M6). Use of pneumatic tools is prohibited.