

*For more info about compatibility with other models
please see the sticker on the skid plate

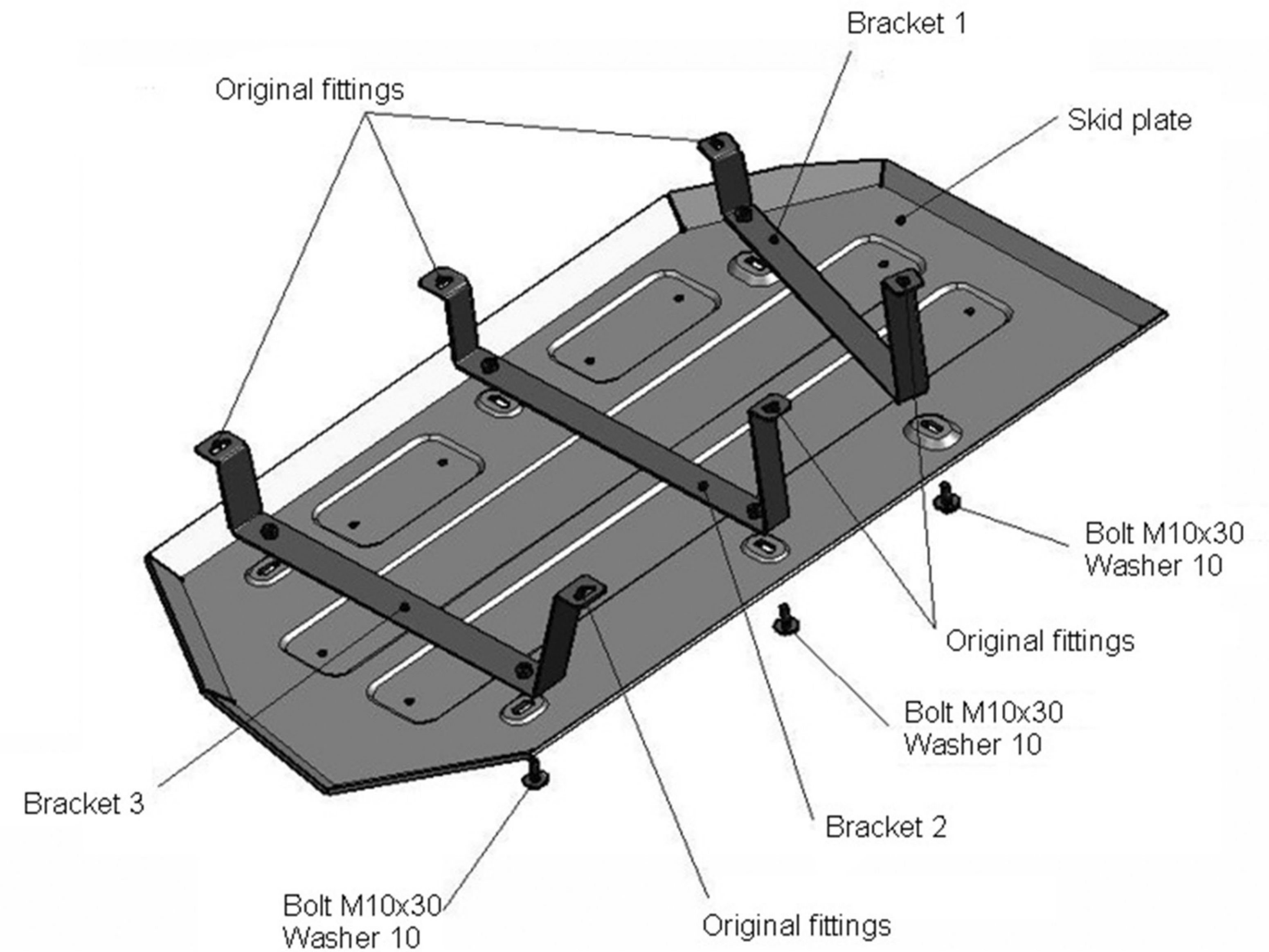
VOLKSWAGEN MULTIVAN (T5, T6)

No.: 5843.1 Fuel tank

Year: 2WD; 4WD
2010-2015; 2015-
Engine: 2.0TDI
Transmission: All

FITTING KIT

1. Bolt M10x30.....	6 pc
2. Washer 10.....	6 pc
3. Bracket 1.....	1 pc
4. Bracket 2.....	1 pc
5. Bracket 3.....	1 pc



INSTALLATION INSTRUCTIONS

1. Remove original guards.
2. Mount brackets 1, 2, 3 over the original brackets of fuel tank.
3. Remove original front bracket from fuel tank, then fix it with bracket 1 to original threaded apertures with original fittings.
4. Remove original middle bracket, then fix it with bracket 2 to original threaded apertures with original fittings.
5. Screw out left fitting of original rear. bracket, then fix it with left part of bracket 3 to original threaded apertures with original fittings. Fix right part of bracket 3 to original threaded aperture with original fittings.
6. Mount original plastic guards. Mark and drill apertures in plastic guard for mounting skid plate to brackets 1 and 3.
7. Fix skid plate to mounted brackets with bolts M10x30.
8. Tighten all screws (50 Nm for M10, 30 Nm for M8, 10 Nm for M6). Do not use pneumatic or power tools to tighten.