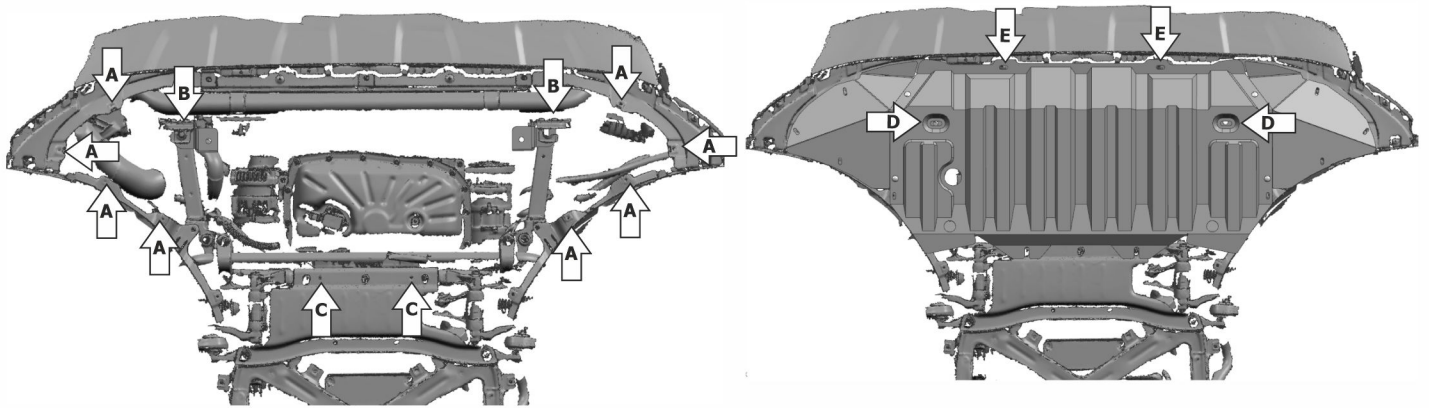
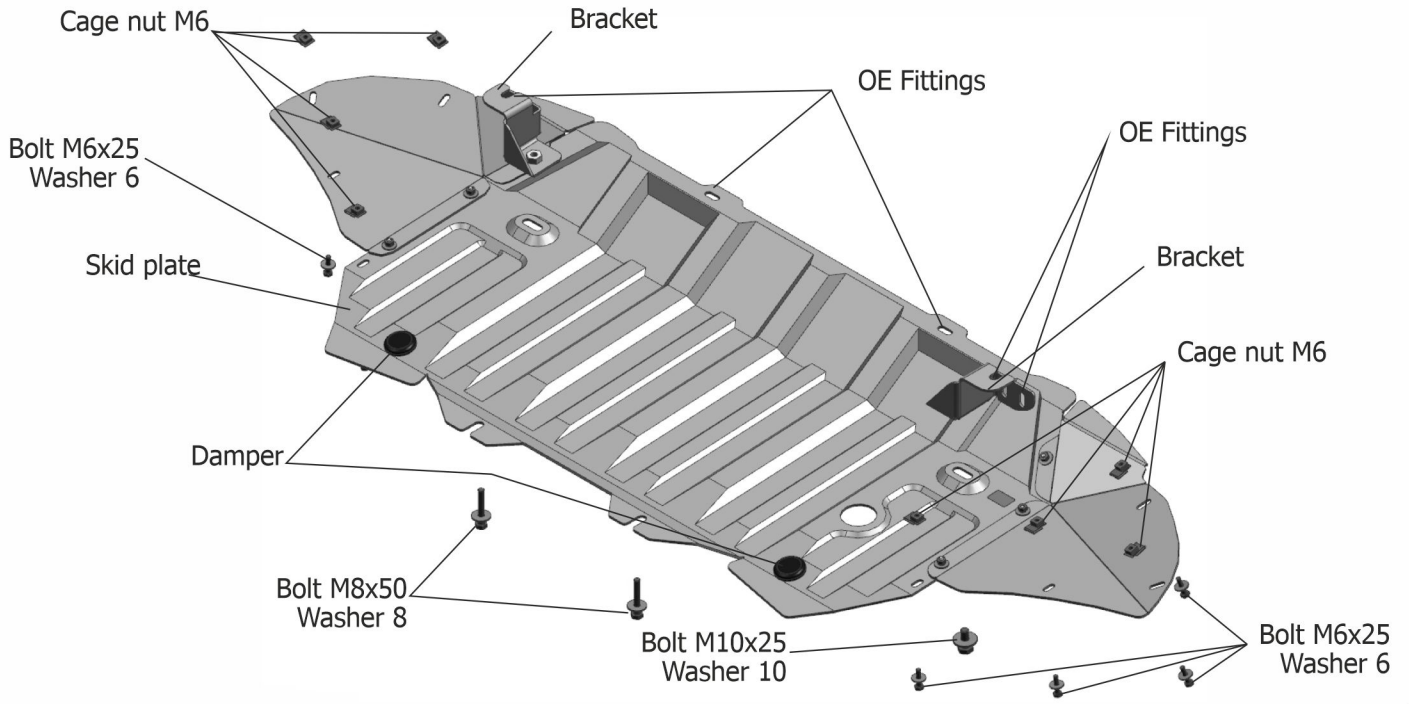


BRAND	MODEL	YEAR	ENGINE	GEARBOX	DRIVE
Audi	Q7	2015-	3.0TFSI; 3.0TFSI S LINE; 3.0TDI	AUTO	FULL
Volkswagen	Touareg	2018-	3.0TDI(249 hp)	AUTO	FULL



**Installation instructions:**

1. Remove OE dust coat.
2. Replace OE cage nut (A) with cage nut M6.
3. Fix brackets using OE fittings (B).
4. Remove OE fittings (C) and screw in bolts M8x50 on a few turns.
5. Mount skid plate: put rear part on installed bolts M8x50, mount front part on holes (D) using bolts M10x25. Mount side part on holes (A) using bolts M6x25, fix on holes (E) using OE fittings.
6. Tighten all screws with required torque.

**Content:**

Name	QTY	Torque
Bolt M6x25	8 pcs	9.80 Nm
Bolt M8x50	2 pcs	24.0 Nm
Bolt M10x25	2 pcs	47.0 Nm
Washer 6	8 pcs	
Washer 8	2 pcs	
Washer 10	2 pcs	
Cage nut M6	2 pcs	
Skid plate	1 pc	
Damper	2 pcs	
Bracket	2 pcs	