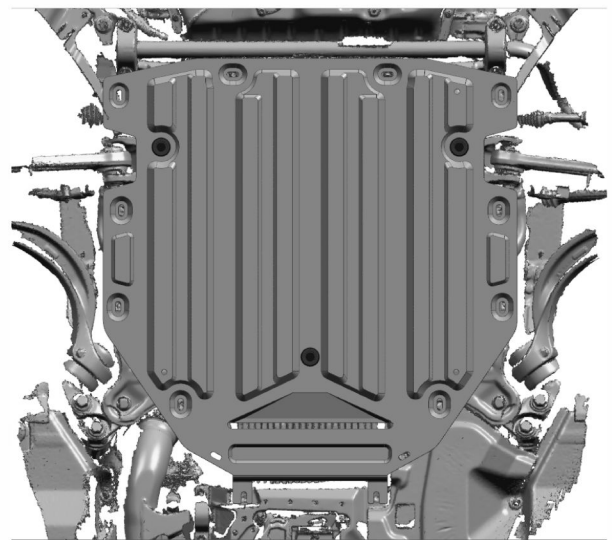
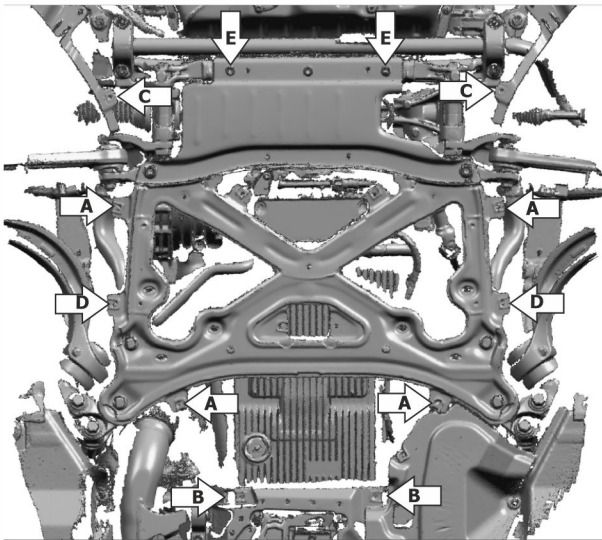
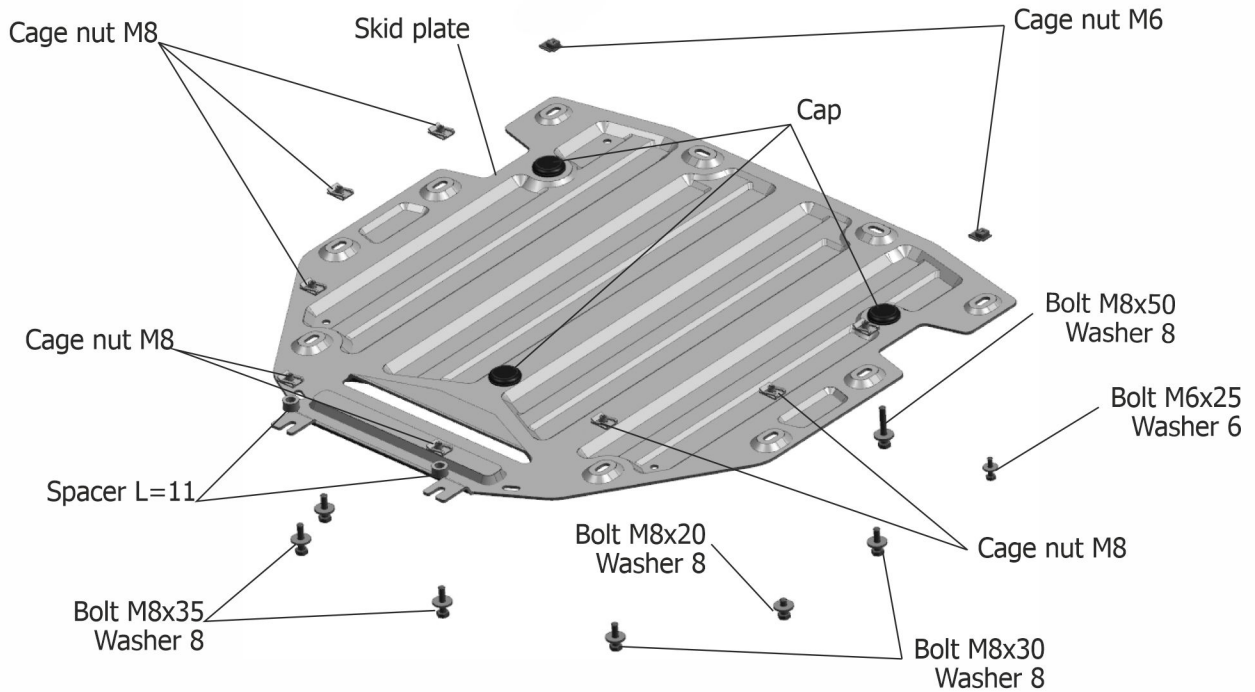


INSTALLATION MANUAL
GEARBOX PROTECTION

2333.5864.1

BRAND	MODEL	YEAR	ENGINE	GEARBOX	DRIVE
Audi	Q7	2015-	3.0TFSI; 3.0TFSI S LINE; 3.0TDI	AUTO	FULL
Volkswagen	Touareg	2018-	3.0TDI(249 hp)	AUTO	FULL



Installation manual:

1. Remove OE dust cover.
2. Replace OE cage nut (A, D) with cage nut M8.
3. Replace OE cage nut (B) with cage nut M8 and screw in bolt M8x35 with spacer L=11 on a few turns.
4. Replace OE cage nut (C) with cage nut M6.
5. Remove OE fasteners (E).
6. Mount skid plate: rear part mount on bolts M8x35, front part mount on holes (E) using bolts M8x50. Middle part mount on holes (A) using bolts M8x30, on holes (D) using bolts M8x20.
7. Mount side dust cover on holes (B) using bolts M6x25.
8. Tighten hardware with required torque.

Content:

Name	Qty	Torque
Bolt M6x25	2 pcs	9.80 Nm
Bolt M8x20	2 pcs	24.0 Nm
Bolt M8x30	4 pcs	24.0 Nm
Bolt M8x35	2 pcs	24.0 Nm
Bolt M8x50	2 pcs	24.0 Nm
Washer 6	2 pcs	
Washer 8	12 pcs	
Cage nut M6	2 pcs	
Cage nut M8	8 pcs	
Skid plate	1 pc	
Cap	3 pcs	
Spacer L=11	2 pcs	

The manufacturer has the right to make changes to the design.