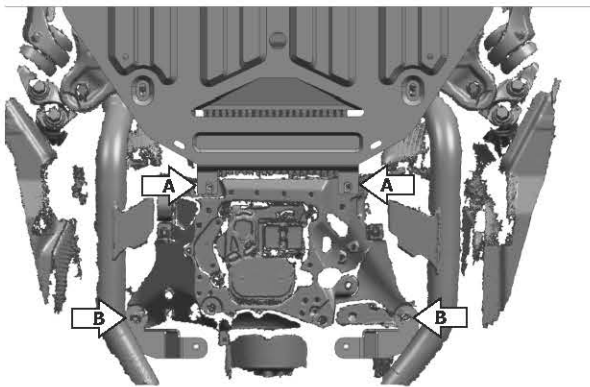
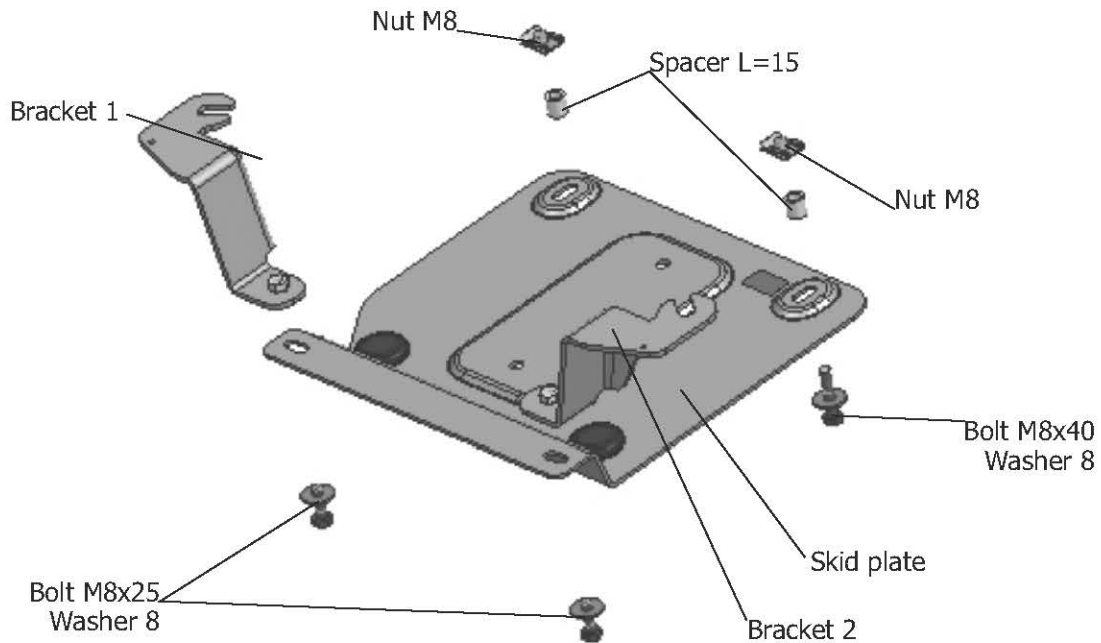


Installation instructions
Transfer case Skid Plate

2333.5865.1

Make	Model	Model year	Engine	Type of gearbox	Drive
Audi	Q7	2015-	3.0TFSI; 3.0TFSI S LINE; 3.0TDI	Automatic	All wheel drive
Volkswagen	Touareg	2018-	2.0TFSI (249 Hp); 3.0TFSI (340 Hp) 3.0TDI (249 Hp)	Automatic	All wheel drive



Installation instructions:

1. Remove the factory guard.
2. Unscrew the rear gearbox skid plate mount (A)
3. Unscrew mount (B) by a few turns and install brackets 1 and 2.
4. Install the skid plate: fasten the rear part with M8x25 bolts to the brackets, fasten the front part with M8x40 bolts to the cage nuts M8 through spacers L = 15
5. Tighten the bolts with the required torque
6. Fix the guard with factory fasteners(C)

Parts:

Name	Quantity	Torque
Bolt M8x25	2 pcs	24.0 Nm
Bolt M8x40	2 pcs	24.0 Nm
Washer 8	4 pcs	
Nut M8	2 pcs	
Skid plate	2 pcs	
Spacer L=15	2 pcs	

The manufacturer has the right to make changes to the design of skid plate.

Technical support: export@rivalauto.com