

INSTALLATION MANUAL

PRODUCT: ALUMINUM FRONT BUMPER SKID PLATE

APPLICATION: TOYOTA LAND CRUISER 300 (2020-)

PART NO: 2333.9561.1.6



CAUTION!

To reduce the risk of serious injury or damage to property: Before you start installing and using this product, read the full instructions, pay special attention to the conditions of safe use and recommendations for installation! When installing or maintaining this product, it is necessary to use protective goggles. Check the integrity of the structure and the moment the fastening is tightened every 250 miles (400 kms) of mileage. Do not use this product if there is damage to the structure or fasteners!

NOTICE

Skid plate is an additional protection, but it can not guarantee to protect against all possible damage in collisions. When driving, be careful of objects and terrain that may damage sensitive parts of the vehicle.

FRONT BUMPER SKID PLATE

Part number 2333.9651.1.6

Suited to vehicle: TOYOTA LAND CRUISER 300 (2021-),
VXR, GXR

Material: Aluminum

Compatibility: RIVAL 9559 Engine skid plate



SAFETY NOTICE

- * The RIVAL front bumper skid plate is designed to complement the use and design of the specified vehicle under conditions specified by the vehicle manufacturer.
- * While driving the vehicle at any speed, collision with any other vehicle, animal or object must always be avoided.
- * Following any collision with any other vehicle, animal or object, the RIVAL front bumper skid plate and the vehicle must be inspected by a specialized or suitably qualified vehicle repairer for possible damage to the components and assemblies in order to confirm suitability for further use of the vehicle.
- * It is strongly recommended that you do not operate a vehicle with a damaged front bumper skid plate or its components. In the case of damage, please contact the nearest RIVAL dealer. Vehicle, or where the skid plate has been damaged, is extremely dangerous and must be avoided at all cost.

INSTALLATION NOTICE

- * The RIVAL front bumper skid plate must be mounted and affixed to the vehicle according to this installation manual.
- * Personal safety during the installation process must be adhered to at all times.
- * Do not install this skid plate on vehicle models other than those allowed in this manual.
- * Estimated time for installation: 1 hour.

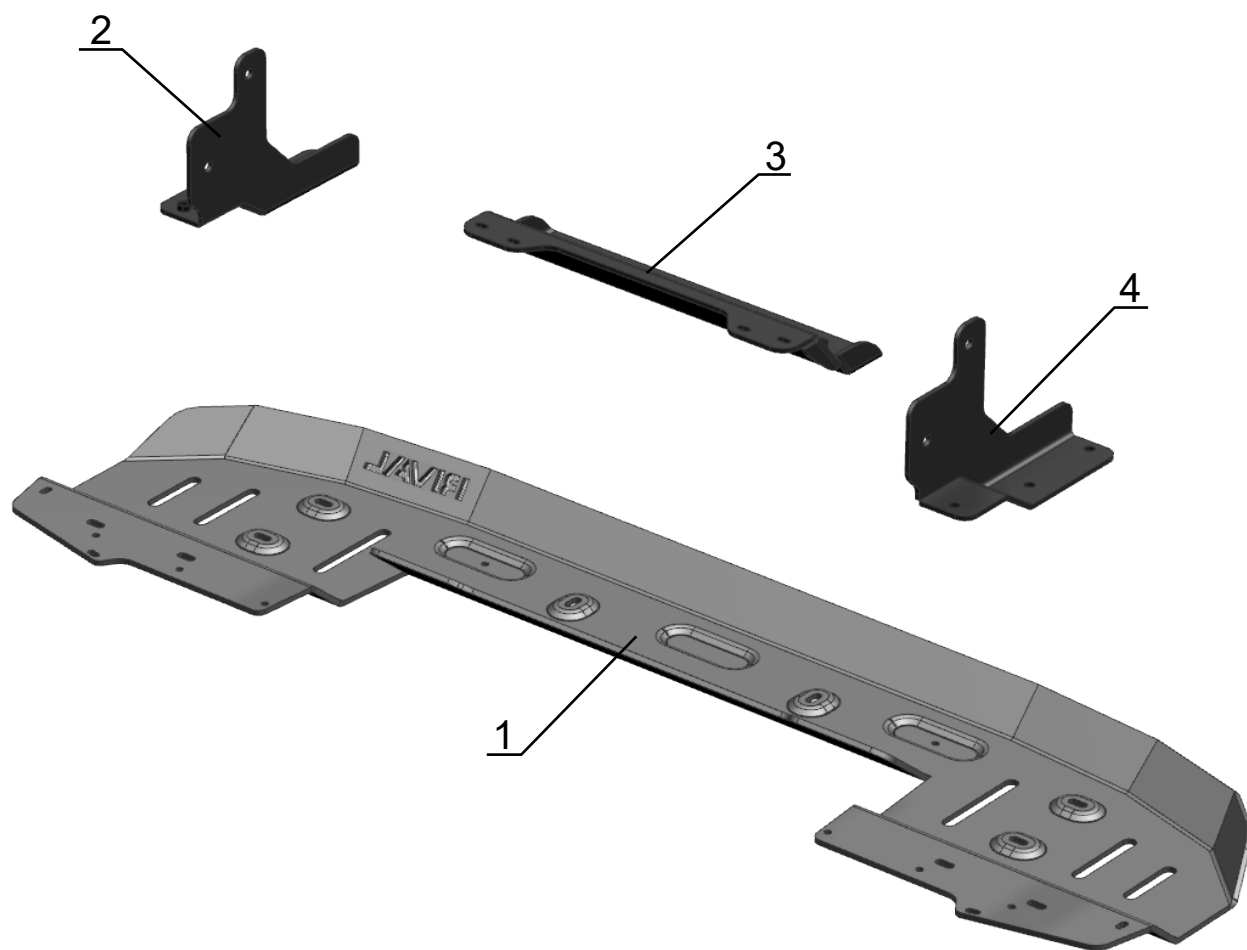
REQUIRED TOOLS

- * Basic tool kit
- * Torque wrench

TORQUE SETTING

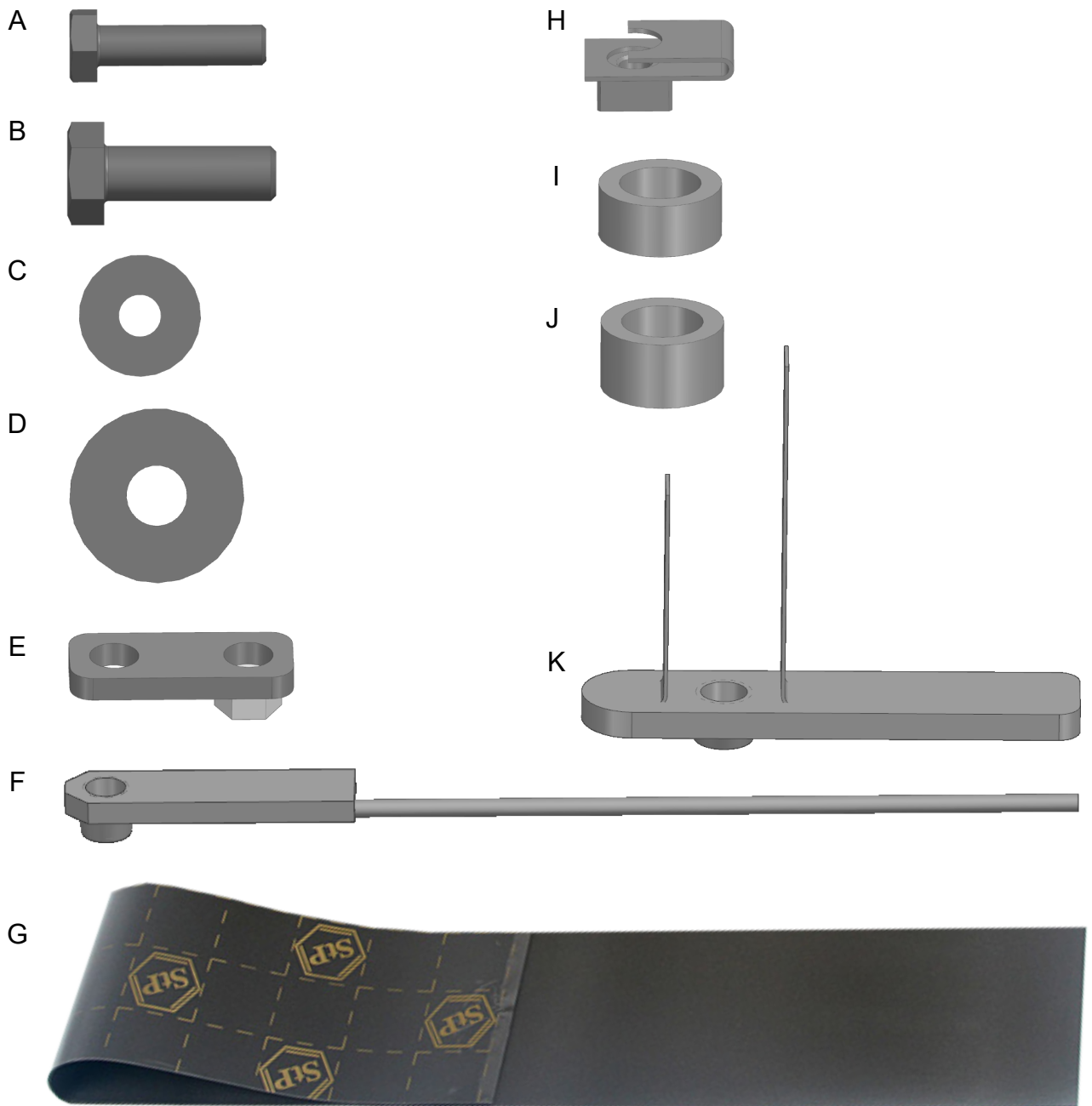
- * M6 - 9.8 H·m (7.2 lb/ft)
- * M8 - 27 H·m (17.7 lb/ft)

PARTS LISTING



- 1. Front bumper skid plate.....Qty 1
- 2. Left bracket.....Qty 1
- 3. Beam.....Qty 1
- 4. Right bracket.....Qty 1

PARTS LISTING



A. Bolt M6x30.....	Qty 6
B. Bolt M8x25 (2 pc. preinstalled, as travel hardware)....	Qty 14
C. Washer 6.....	Qty 6
D. Washer 8 (2 pc. preinstalled, as travel hardware).....	Qty 14
E. Insert nut M8.....	Qty 2
F. Insert nut M8x50 with wire.....	Qty 2
G. Gasket.....	Qty 1
H. Captive nut M6.....	Qty 2
I. Spaser 8mm.....	Qty 2
J. Spaser 10mm.....	Qty 2
K. Insert nut M8x70 with wires.....	Qty 2

INSTALLATION PROCEDURE

***If equipped, remove other aftermarket skid plate.**

***Before installation: Unscrew bolts M8x25 (item B) and washers 8 (item D), preinstalled as travel hardware, in beam (item 3) and skid plate (item 1).**

Set aside to reuse later on.



Fig. 1

1. Unscrew OE screws shown in fig.1 on both sides of the vehicle. Remove OE plastic plate after that (fig. 1)

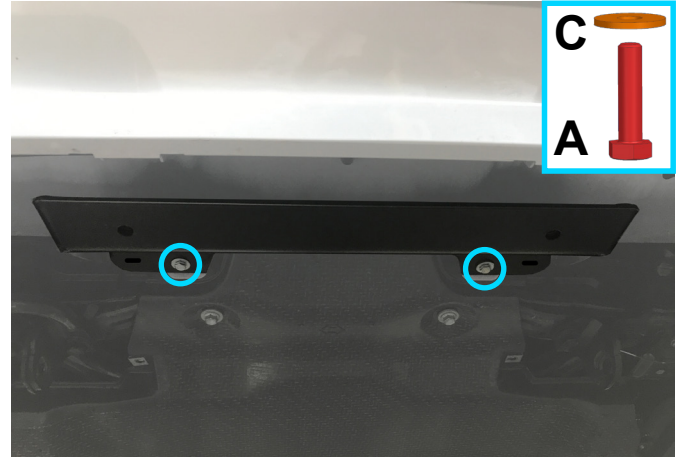


Fig. 2

2. Attach the beam (item 3) using bolts M6x30 (item A) and washers 6 (item C), as shown in fig. 2.

***Do not tighten yet.**



Fig. 3

3. Fix the beam using bolts M6x30 (item A), washers 6 (item C) and spacers 8mm (item I), as shown in fig. 3 and fig. 4.

***Tighten hardware after that.**

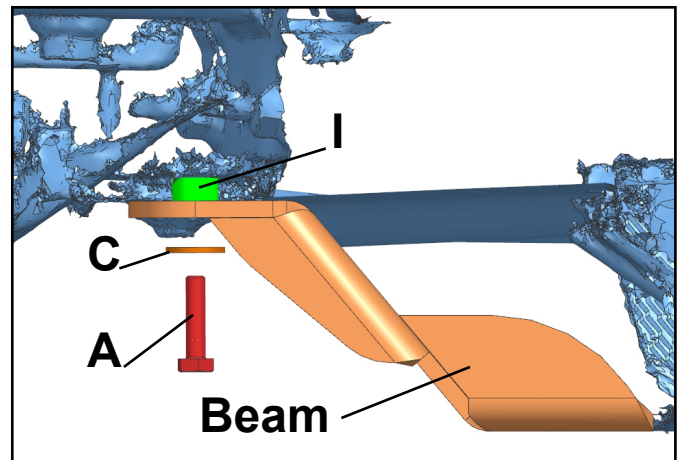


Fig. 4

INSTALLATION PROCEDURE



Fig. 5

4. Attach insert nuts M8 (item E) to plastic plate using OE bolts, as shown in fig.5 on both sides of the vehicle.

***Do not tighten yet.**

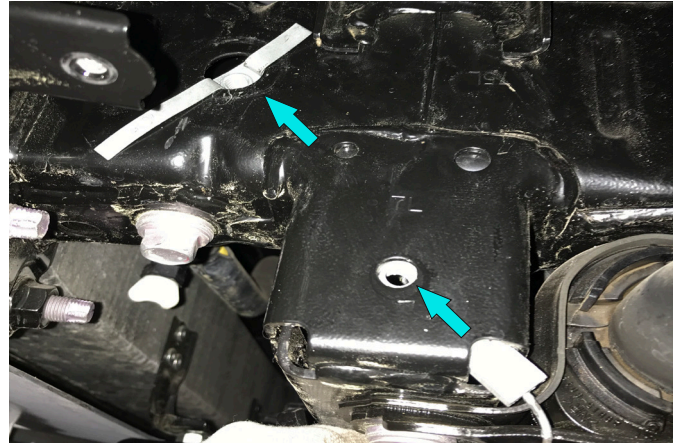


Fig. 6

5. Install insert nuts M8x70 with wires (item K) and insert nuts M8x50 with wire (item F), as shown in fig.6 on both sides of the vehicle.

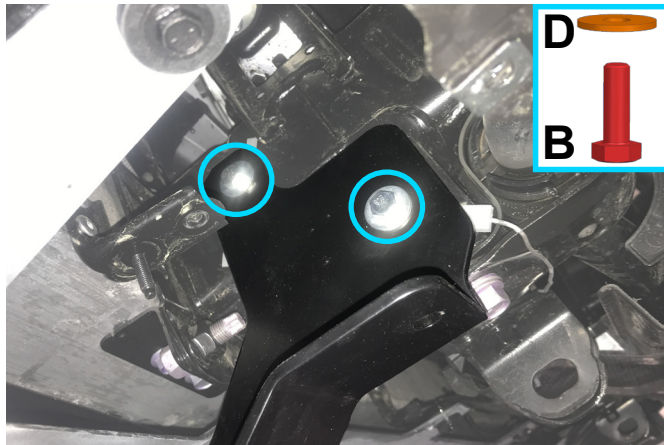


Fig. 7

6. Attach left bracket (item 2) and right bracket (item 4) to insert nuts M8x70 with wires (item K) and insert nuts M8x50 with wire (item F) using bolts M8x25 (item B) and washers 8 (item D), as shown in fig.7 and fig.8 on both sides of the vehicle.

***Tighten hardware after that.**



Fig. 8

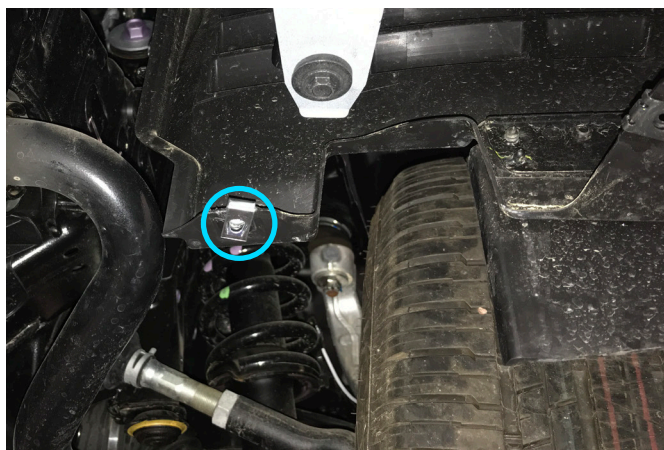


Fig. 9

7. Replace OE captive nuts with captive nuts M6 (item H), as shown in fig.9 on both sides of the vehicle.

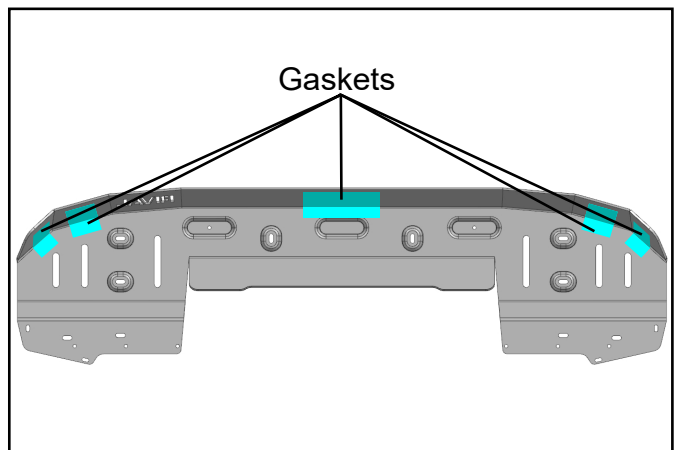


Fig. 10

8. Cut the gasket (item G) and glue to front bumper skid plate (item 1) as shown in fig.10.

INSTALLATION PROCEDURE



Fig. 11

9. Install the front bumper skid plate (item 1) using bolts M8x25 (item A) and washers 8 (item D), as shown in fig.11.

***Tighten hardware after that.**

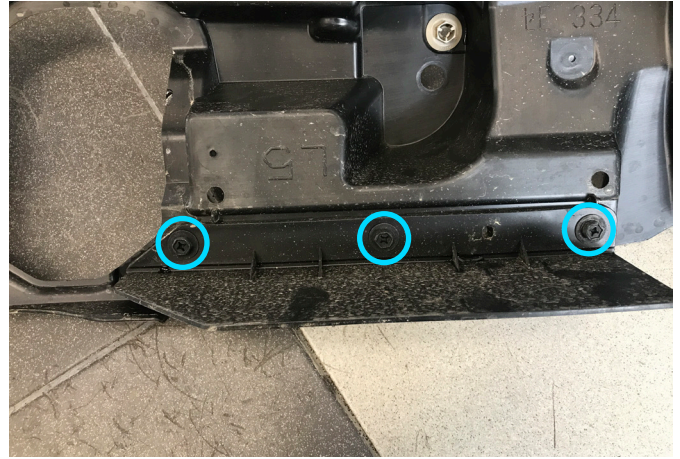


Fig. 12

10. Unscrew OE bolts and remove mudflaps from the removed OE plastic plate from step 1, as shown in fig.12.



Fig. 13

11. Attach OE mudflaps to the front bumper skid plate (item 1) using OE bolts, as shown in fig.11.

***Tighten hardware after that.**



Fig. 14

12. Fix the rear part of front bumper skid plate to installed captive nuts M6 (item H) from step 7 using bolts M6x30 (item A), washers 6 (item C) and spacers 10 mm (item J) as shown in fig.12.

***Tighten hardware after that.**

INSTALLATION PROCEDURE

Before operating a vehicle fitted with RIVAL Skid Plate:

- make sure all fittings are tightened;
- ensure the integrity of the structure and its components.

