

*For more info about compatibility with other models please see the sticker on the skid plate

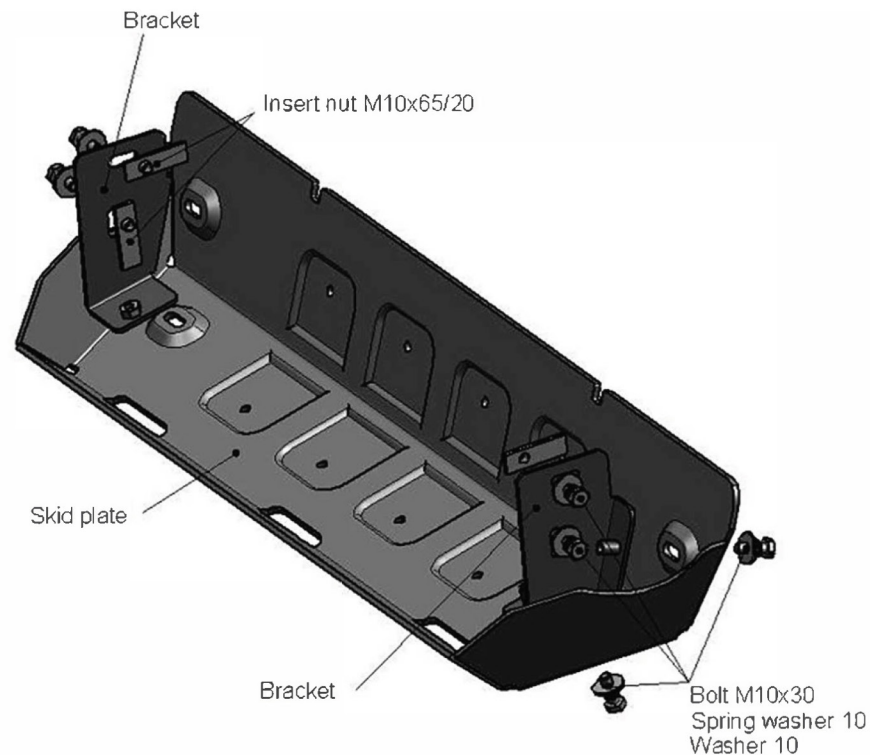
JEEP WRANGLER JK (2/4 door)

No.: 2718.1/6 Steering rods

Year: 2012-
 Engine: 3.6
 Transmission: All

FITTING KIT

- | | |
|------------------------------|------|
| 1. Bolt M10x30..... | 8 pc |
| 2. Washer 10..... | 8 pc |
| 3. Spring washer 10..... | 8 pc |
| 4. Insert nut M10x65/20..... | 4 pc |
| 5. Bracket..... | 2 pc |



INSTALLATION INSTRUCTIONS

1. Mount brackets to cross-bar with insert nuts M10x65/20 and bolts M10x30.
2. Fix skid plate to mounted insert nuts and to mounted brackets with bolts M10x30.
3. Tighten all screws (50 Nm for M10, 30 Nm for M8, 10 Nm for M6). Do not use pneumatic or power tools to tighten.

JEEP WRANGLER JK

No.: 2723.1/6 Exhaust

Body: 2 door / 4 door

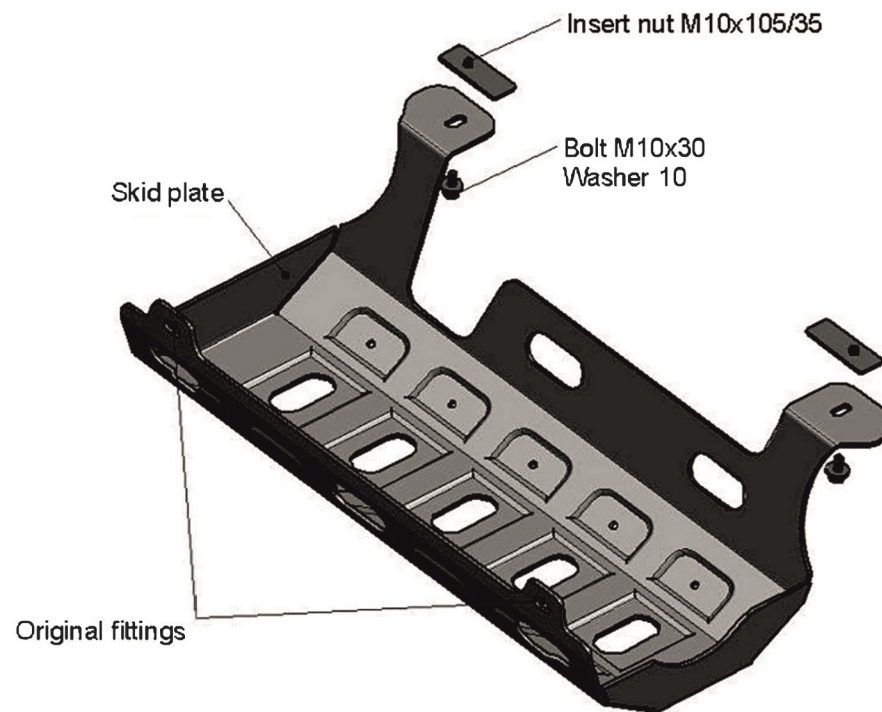
Year: 2007-

Engine: 3.6

Transmission: AT

FITTING KIT

1. Bolt M10x30.....	2 pc
2. Washer 10.....	2 pc
3. Insert nut M10x105/35.....	2 pc



INSTALLATION INSTRUCTIONS

1. Screw 2 original bolts out from the inner side of rear bumper.
2. Mount insert nuts M10x105/35 into apertures in the rear end of vehicle body.
3. Fix front end of skid plate to mounted insert nuts, then fix its rear end to original threaded apertures with original fittings.
4. Tighten all screws (50 Nm for M10, 30 Nm for M8, 10 Nm for M6). Use of pneumatic tools is prohibited.

*For more info about compatibility with other models
please see the sticker on the skid plate

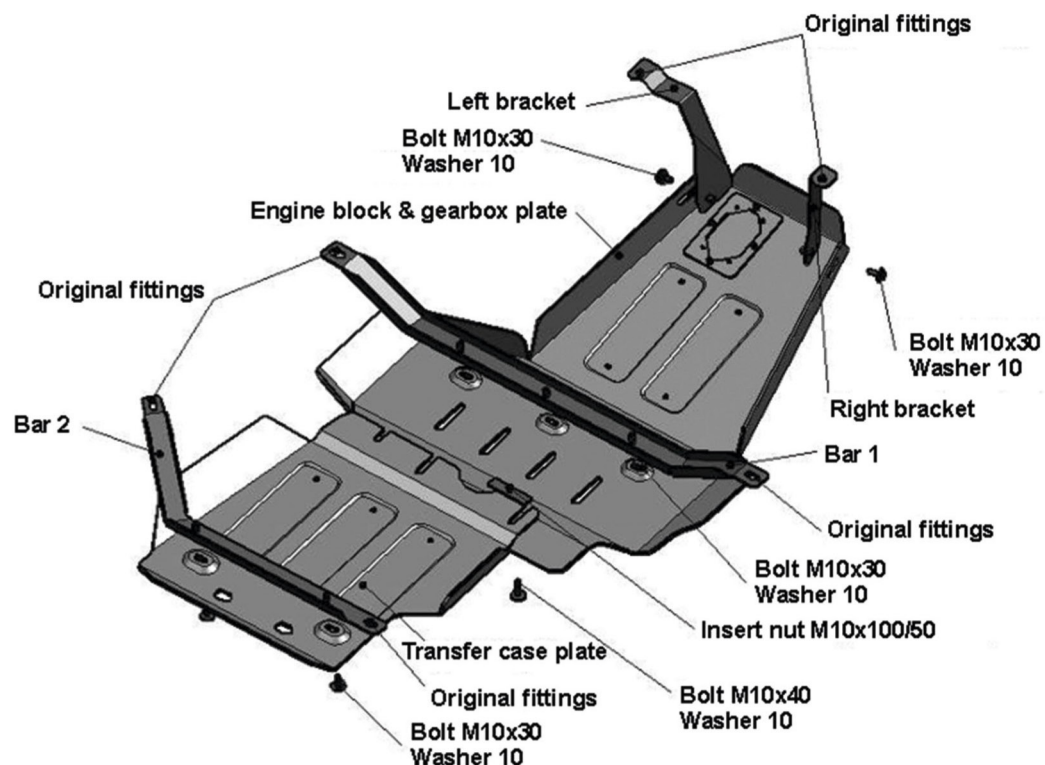
JEEP WRANGLER JK (DIESEL)

No.: 2730.1/6 Engine block & gearbox
2731.1/6 Transfer case

Year: 2007-
Engine: 2.8
Transmission: MT

FITTING KIT

1. Bolt M10x30.....	7 pc
2. Bolt M10x40.....	1 pc
3. Washer 10.....	8 pc
4. Insert nut M10x100/50.....	1 pc
5. Left bracket.....	1 pc
6. Right bracket.....	1 pc
7. Bar 1.....	1 pc
8. Bar 2.....	1 pc



INSTALLATION INSTRUCTIONS

1. Remove original transfer case guard and original cross-bar.
2. Mount right and left brackets to supports of engine with original fittings.
3. Mount bar 1 to original threaded apertures of underframe with original fittings.
4. Mount bar 2 to original threaded apertures of underframe with original fittings.
5. Mount insert nut M10x100/50 above the aperture in underframe.
6. Fix engine block & gearbox plate to left and right brackets with bolts M10x30, then to bar 1 with bolts M10x30. Also fix it to underframe with original fittings; then fix the plate to mounted insert nut with bolts M10x30.
7. Place front end of transfer case plate under engine block & gearbox plate, then fix its rear end to bar 2 with bolts M10x30.
8. Tighten all screws (50 Nm for M10, 30 Nm for M8, 10 Nm for M6). Do not use pneumatic or power tools to tighten.

JEEP WRANGLER JK (DIESEL) 4 DOOR

No.: 2733.1/6 Fuel tank

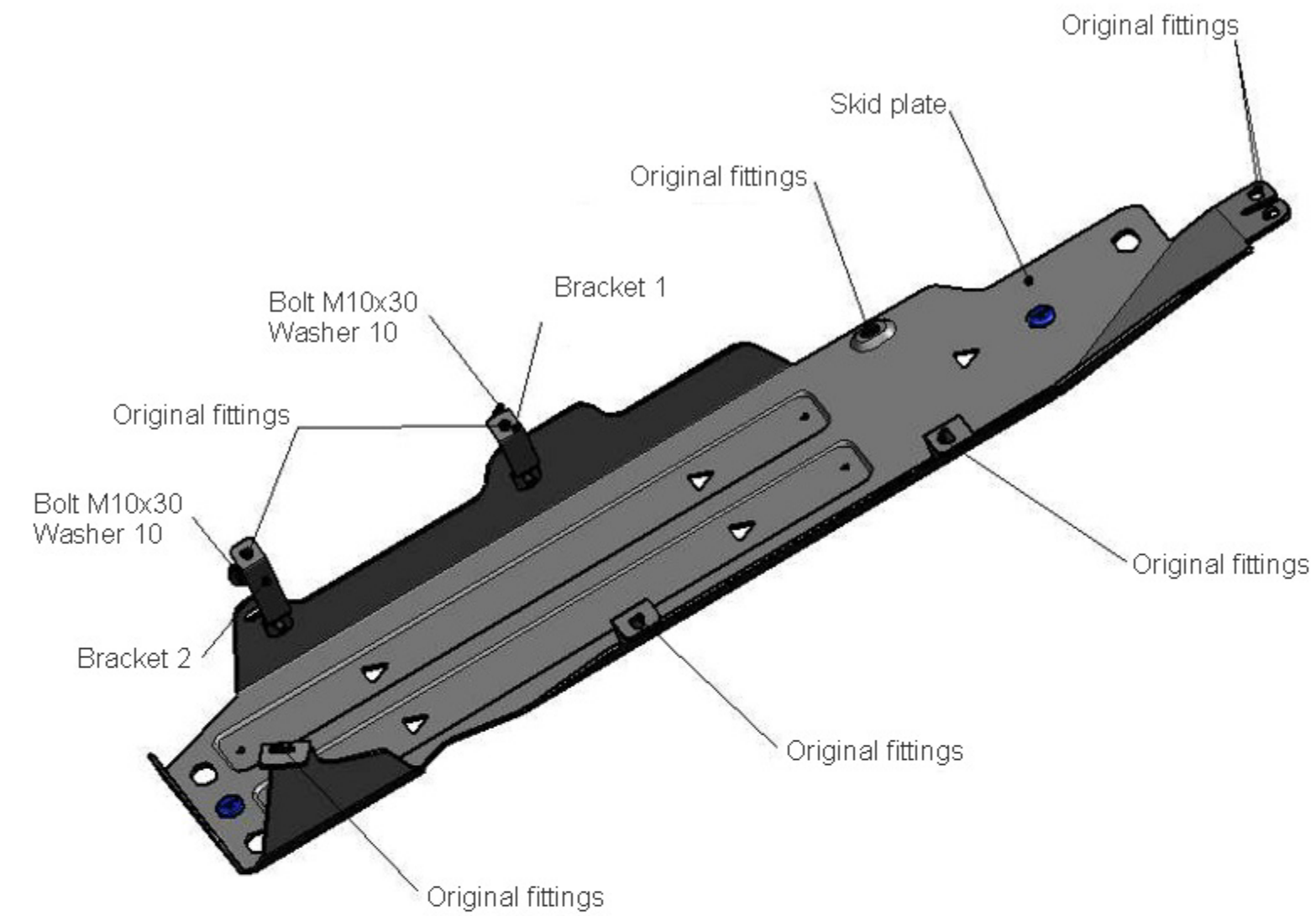
Year: 2007-2018

Engine: 2.8

Transmission: MT

FITTING KIT

1. Bolt M10x30.....	2 pc
2. Washer 10.....	2 pc
3. Bracket 1.....	1 pc
4. Bracket 2.....	1 pc



INSTALLATION INSTRUCTIONS

1. RIVAL skid plate is installed over the original plate.
2. Screw rear left and middle left bolts out of fuel tank, then mount brackets 1 and 2 to these spots with original fittings.
3. Screw original bolts out of fuel tank, then fix skid plate to these points with original fittings.
4. Fix skid plate to mounted brackets with bolts M10x30.
5. Tighten all screws (50 Nm for M10, 30 Nm for M8, 10 Nm for M6). Do not use pneumatic or power tools to tighten.

