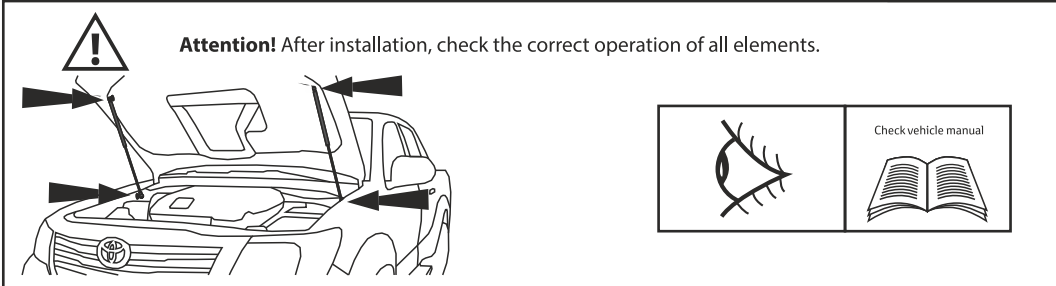
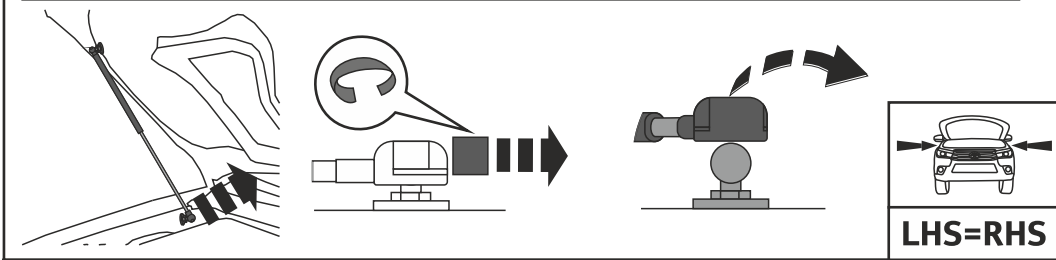


⚠ Attention! If it's needed to remove installed gas strut, disassemble how shown on the picture. Operate with the hood being totally open.



Toyota Hilux


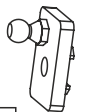
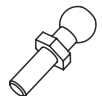

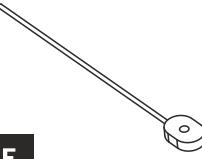



HOOD GAS STRUTS

Installation instructions

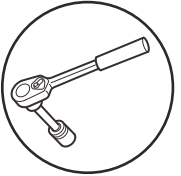


Model year:	2005-2015
Stock No.:	2A.ST.5704.1
Compatibility:	all types
⚖ Weight:	1 kg
🕒 Installation time:	30 min

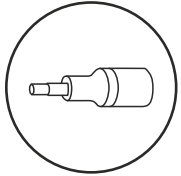
Issue #1 from 07.12.2015

A		2x	B LHS		1x	C		3x	D		1x
E		2x	F		1x	G		3x	H		1x

Required tools



10 mm



HEX 4mm



Attention!

Before installation of gas struts, open the hood and check that there is no additional equipment installed in engine bay which can block installation.

1

