

Isuzu D-Max

HOOD GAS STRUTS Installation Instructions



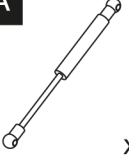
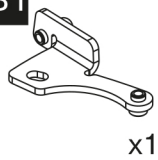
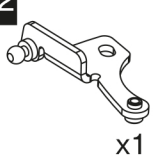
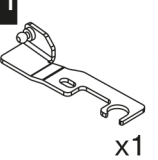
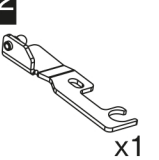
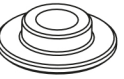
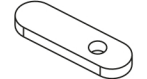


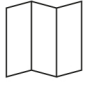
Model year: 2011-2016, 2016-

Part No.: 2A.ST.9101.1

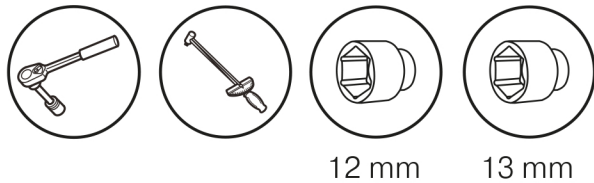
Compatibility: all types

Weight: 1 kg

Installation time: 30 min

A  x2	B1  x1	B2  x1	C1  x1	C2  x1
D  x2	E  x2	F  M8x20 x6	G  Ø8 x4	 Installation Instructions

Required Tools



Attention!

Before installation of gas struts, open the hood and check that there is no additional equipment installed in engine bay which can block installation.

