



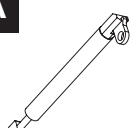
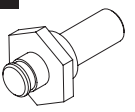
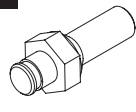
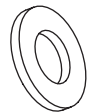

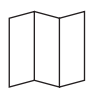
Toyota Hilux

TAILGATE STRUT KIT
Installation Instructions

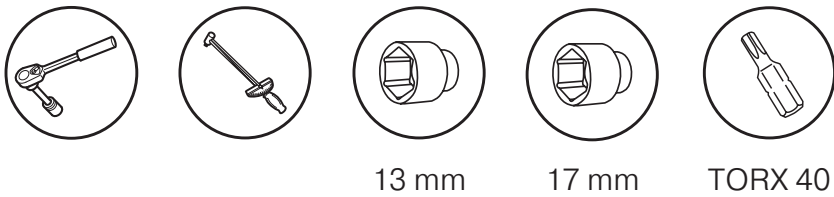


Model year:	2007 - 2015
Part No.:	2AB.ST.5704.1

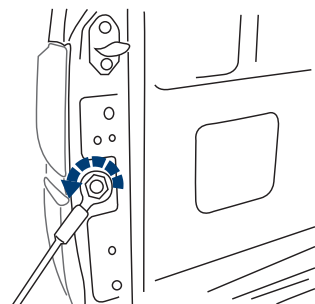
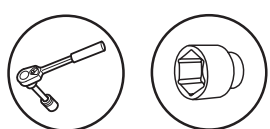
Weight:	 1 kg
Installation time:	 30 min

A  x2	B  x2	C  x2	D  x2	E  x4
F  Installation Instructions				


Required Tools



1

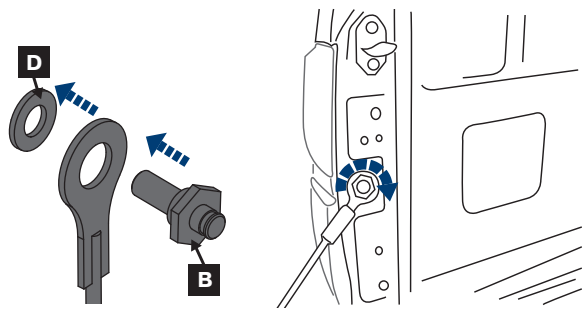
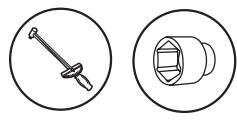



17 mm




LSH=RHS

2

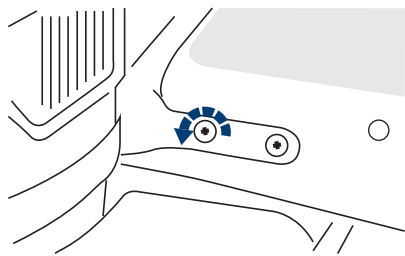
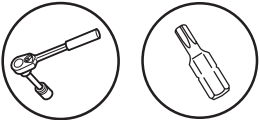



20Hm 17 mm




LSH=RHS

3

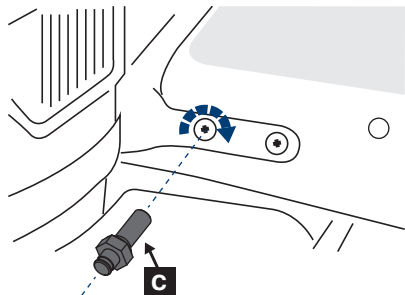




TORX 40




LSH=RHS

4

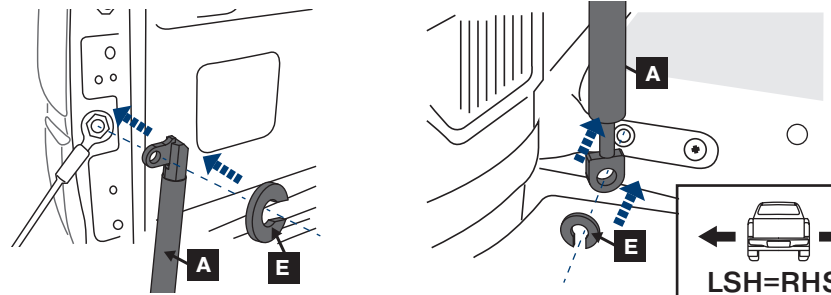




20Hm 13 mm



LSH=RHS

5

LSH=RHS