


# Toyota Hilux


## TAILGATE STRUT KIT Installation Instructions



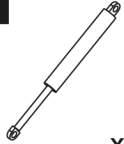
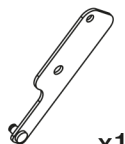
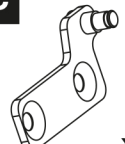







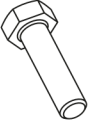

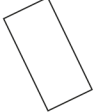
Model year: 2015 -2018; 2018-

Part No.: 2AB.ST.5705.1

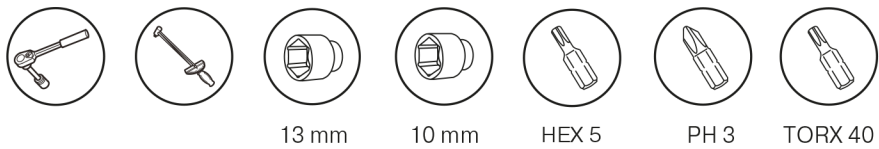
Weight:  1 kg

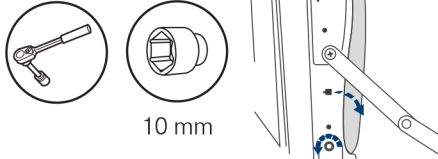
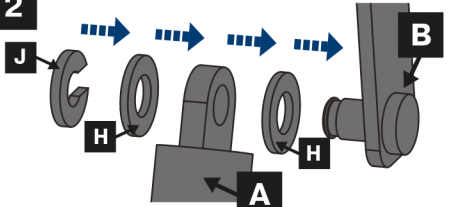
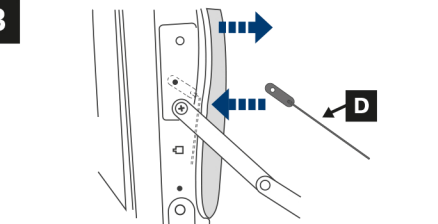
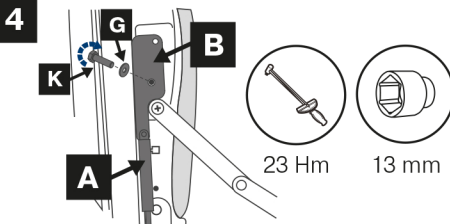
Installation time:  30 min

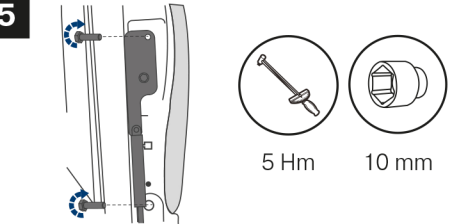
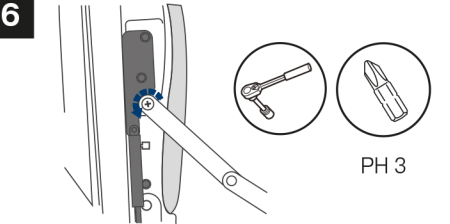
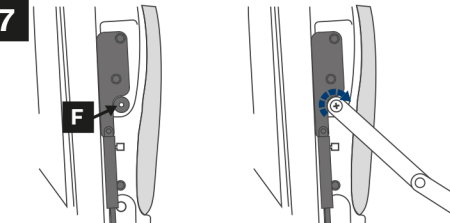
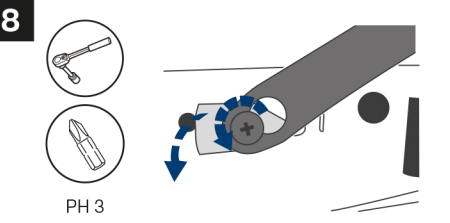
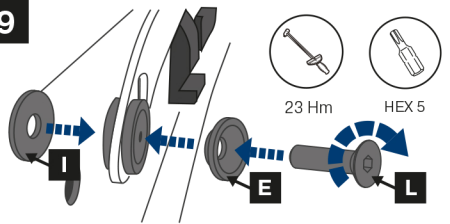
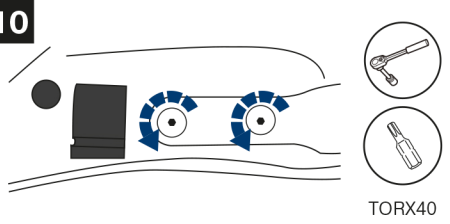
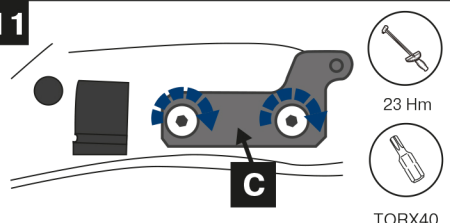
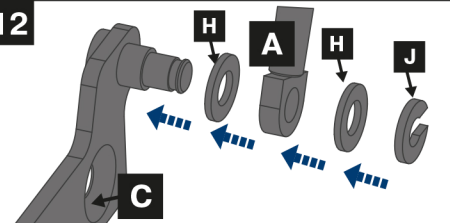
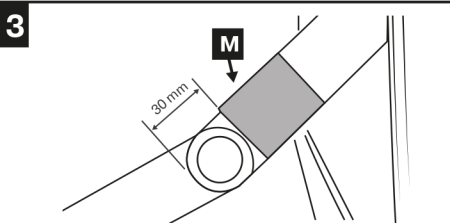


<b>A</b>  x1	<b>B</b>  x1	<b>C</b>  x1	<b>D</b>  x1	<b>E</b>  x1
<b>F</b>  x1	<b>G</b>  x1	<b>H</b>  x4	<b>I</b>  x1	<b>J</b>  x2
<b>K</b>  x1	<b>L</b>  x1	<b>M</b>  x1	<b>Installation Instructions</b>	

### Required Tools



<b>1</b>  10 mm	<b>2</b> 
<b>3</b> 	<b>4</b>  23 Hm    13 mm

<b>5</b>  5 Hm    10 mm	<b>6</b>  PH 3
<b>7</b> 	<b>8</b>  PH 3
<b>9</b>  23 Hm    HEX 5	<b>10</b>  TORX 40
<b>11</b>  23 Hm    TORX 40	<b>12</b> 
<b>13</b>  30 mm	