

# INSTALLATION MANUAL

PRODUCT: FRONT ALUMINUM BUMPER

MODEL: FORD RANGER (2022 - PRESENT)  
FORD EVEREST (2022 - PRESENT)

PART NO: 2D.1814.1-NL



## CAUTION!

To reduce the risk of serious injury or damage, please read and understand all instructions and procedures before attempting to install or use this product. Safety glasses must be worn at all times during installation or maintenance of this product. Ensure all mounting bolts are tensioned after 400 km and periodically thereafter.

## NOTICE

Whilst the bumper adds additional protection to your vehicle, precautionary measures still need to be taken to avoid damage. Always drive to the conditions and your surroundings.

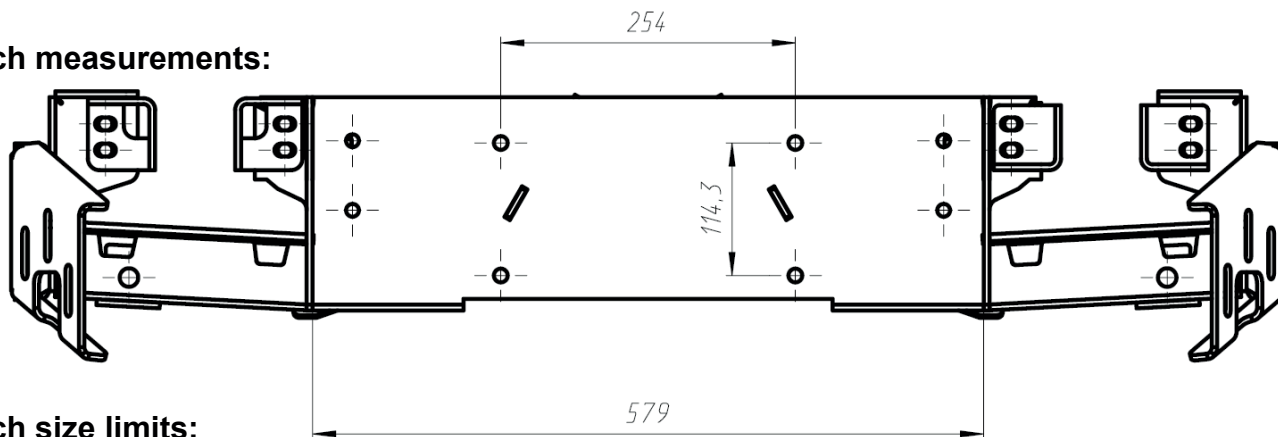
**ADR69 COMPATIBLE**  
**AIR BAG COMPLIANT**

# TECHNICAL INFORMATION

## \*WINCH INSTALLATION

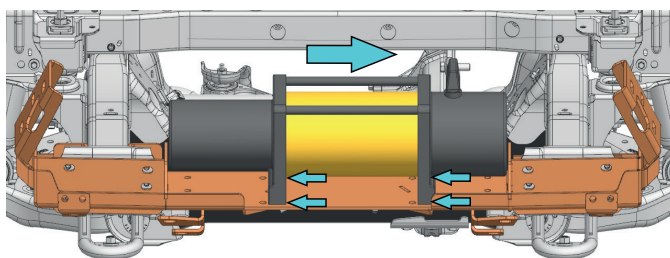
A winch with a pull capacity of up to 10000 lbs can be installed with the RIVAL Bumper. It is not advisable to exceed this pulling capacity since damage, injury or death may occur where the 10000 lbs recommended capacity is exceeded.

### Winch measurements:



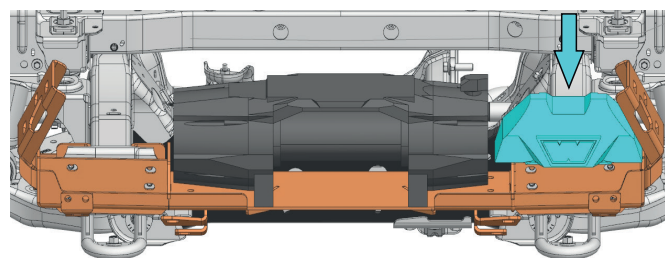
### Winch size limits:

L 570 x W 190 mm x H 170 mm



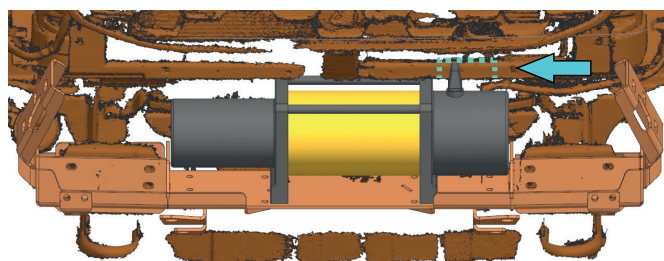
If necessary, move the winch, mark and drill 4 new holes in the bracket.

\*For example Runva 11XP.



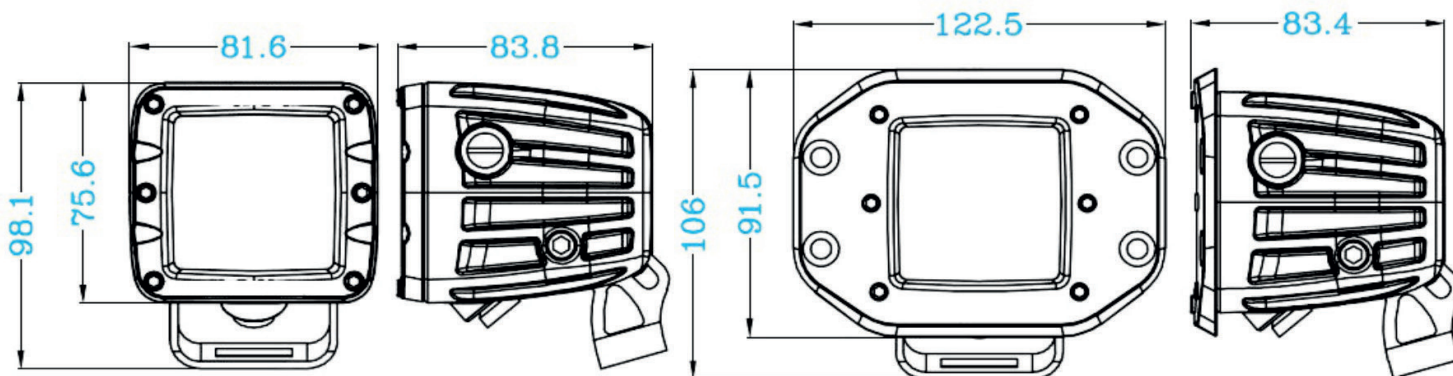
If necessary, remove the control box and fix it close by the winch.

\*For example Warn VR EVO.



If necessary, mark and cut OE plastic bracket.

## \*COMPATIBLE LIGHTS



# TECHNICAL INFORMATION

## \*RECOVERY POINTS



### WARNING

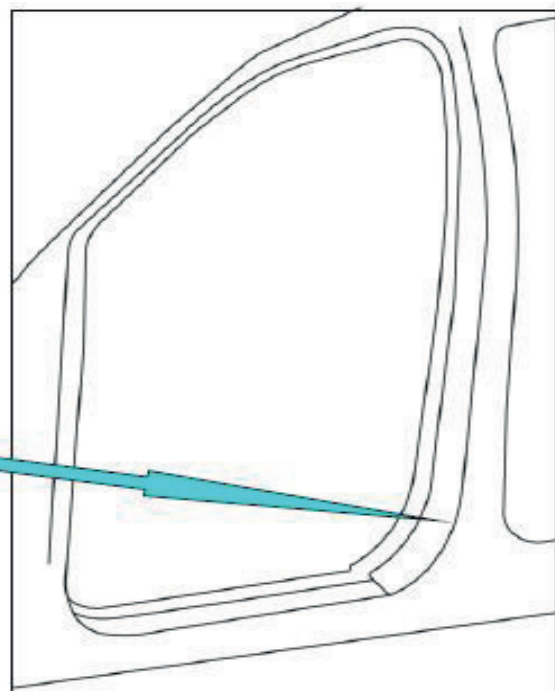
Do not exceed the Working Load Limit of these recovery points or shackle.

### INSPECTION AND SAFETY

Recovery of stuck vehicles can be dangerous. Always inspect the shackle and recovery points before each use. Do not use if there are visible signs of damage or wear including cracking (or elongation). Always stay a safe distance away from the recovery area - at least 1.5 times the length of the recovery strap. Incorrect use of receivers equipment can result in serious injury or death.

Always use recovery points as a matched pair teamed with an equalising bridle during any recovery situation.

Please attach this "Warning" label to the door aperture.



# FRONT BUMPER

Part number 2D.1814.1-NL

Suited to vehicle: FORD RANGER (2022 - PRESENT)  
FORD EVEREST (2022 - PRESENT)

Material: Aluminum / Steel



## SAFETY NOTICE

- \* The RIVAL Bumper is designed to compliment the use and design of the specified vehicle under conditions specified by the vehicle manufacturer.
- \* While driving the vehicle at any speed, collision with any other vehicle, animal or object must always be avoided.
- \* Following any collision with any other vehicle, animal or object, the RIVAL Bumper and the vehicle must be inspected by a specialized or suitably qualified vehicle repairer for possible damage to the components and assemblies in order to confirm suitability for further use of the vehicle.
- \* It is strongly recommended that you do not operate a vehicle with a damaged bumper or its components. In the case of damage, please contact the nearest RIVAL dealer. Vehicle, or where the bumper has been damaged, is extremely dangerous and must be avoided at all cost.
- \* The operation of a vehicle where the bumper is not properly attached and fastened to the vehicle, or where the bumper has been damaged, is extremely dangerous and must be avoided at all cost.
- \* It is recommended that you carry out regular inspections of all the bumper elements such as all bolts, wires, connectors.
- \* A winch with a pull capacity of up to and including 10000 lb can be installed with the RIVAL Bumper. It is not advisable to exceed this pulling capacity since damage, injury or death may occur where the 10000lb recommended capacity is exceeded. The Rival bumper provides standard 4 1/2"x10" mounting holes.

## INSTALLATION NOTICE

- \* Personal safety during the installation process must be adhered to at all times.
- \* Estimated time for installation: 5 hours.
- \* The RIVAL Bumper must be mounted and affixed to the vehicle according to this installation manual and the use of personal safety equipment is highly recommended.
- \* Do not install this bumper on vehicle models other than those allowed in this manual.
- \* Check state and local highway safety laws regarding permitted bumper types and heights.

**NOTE:** if the bumper is to be color coded it is advised to test fit before color coding. RIVAL is not liable for color coding cost, it is the installers' responsibility to check the fitment and alignment before color coding.

### ADR69 AND AIR BAG SYSTEM

The Rival bumper has been tested and certified to be compatible with ADR69 and will not affect the operation of the Air bag System on this vehicle. This product or mounting brackets must not be modified in any way, and must be fitted in accordance with the installation instructions.

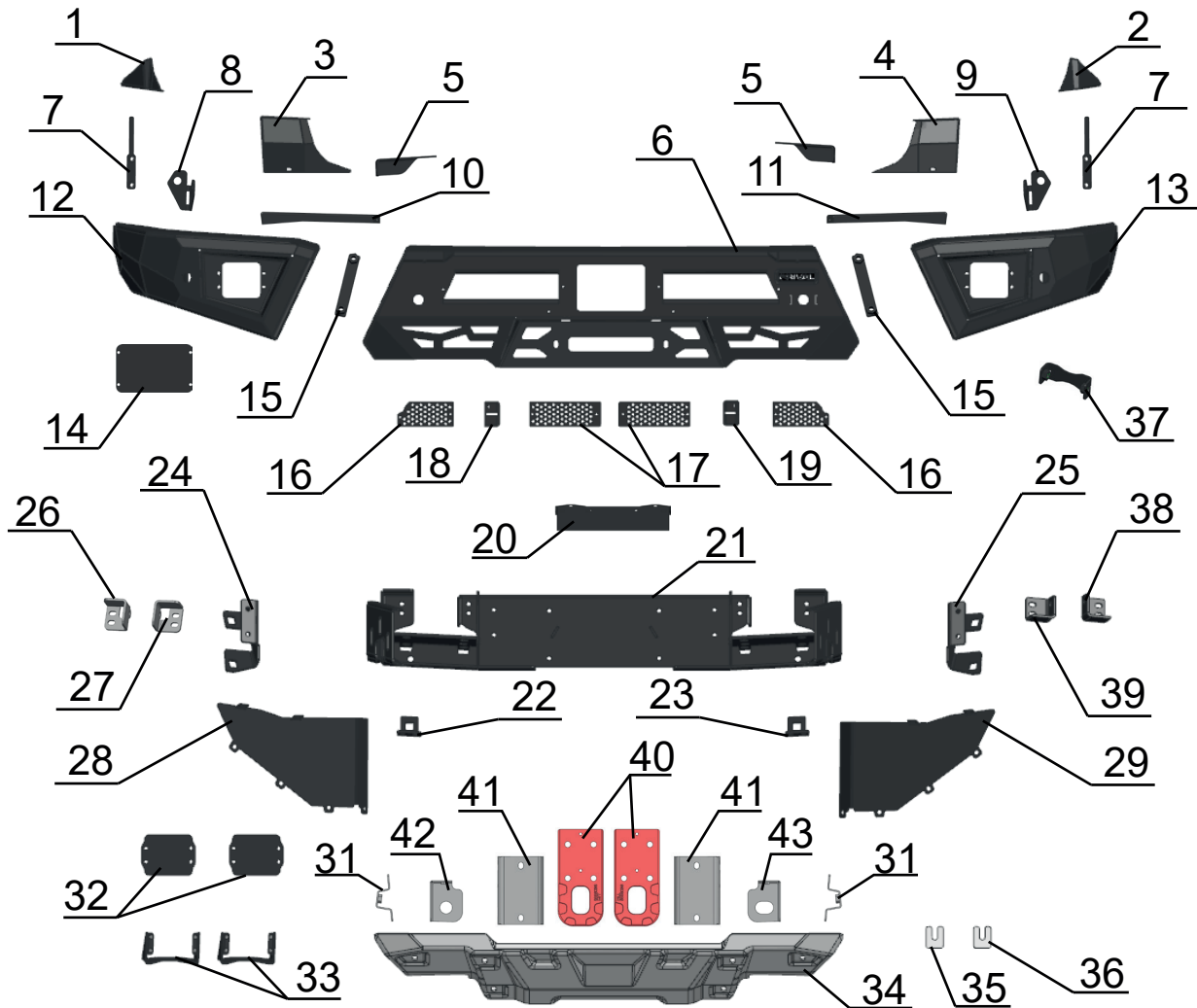
## REQUIRED TOOLS

- \* Basic tool kit
- \* Torque wrench
- \* Crosspoint and flat head screwdriver
- \* Marker
- \* Angle grinder
- \* Drill

## TORQUE SETTING

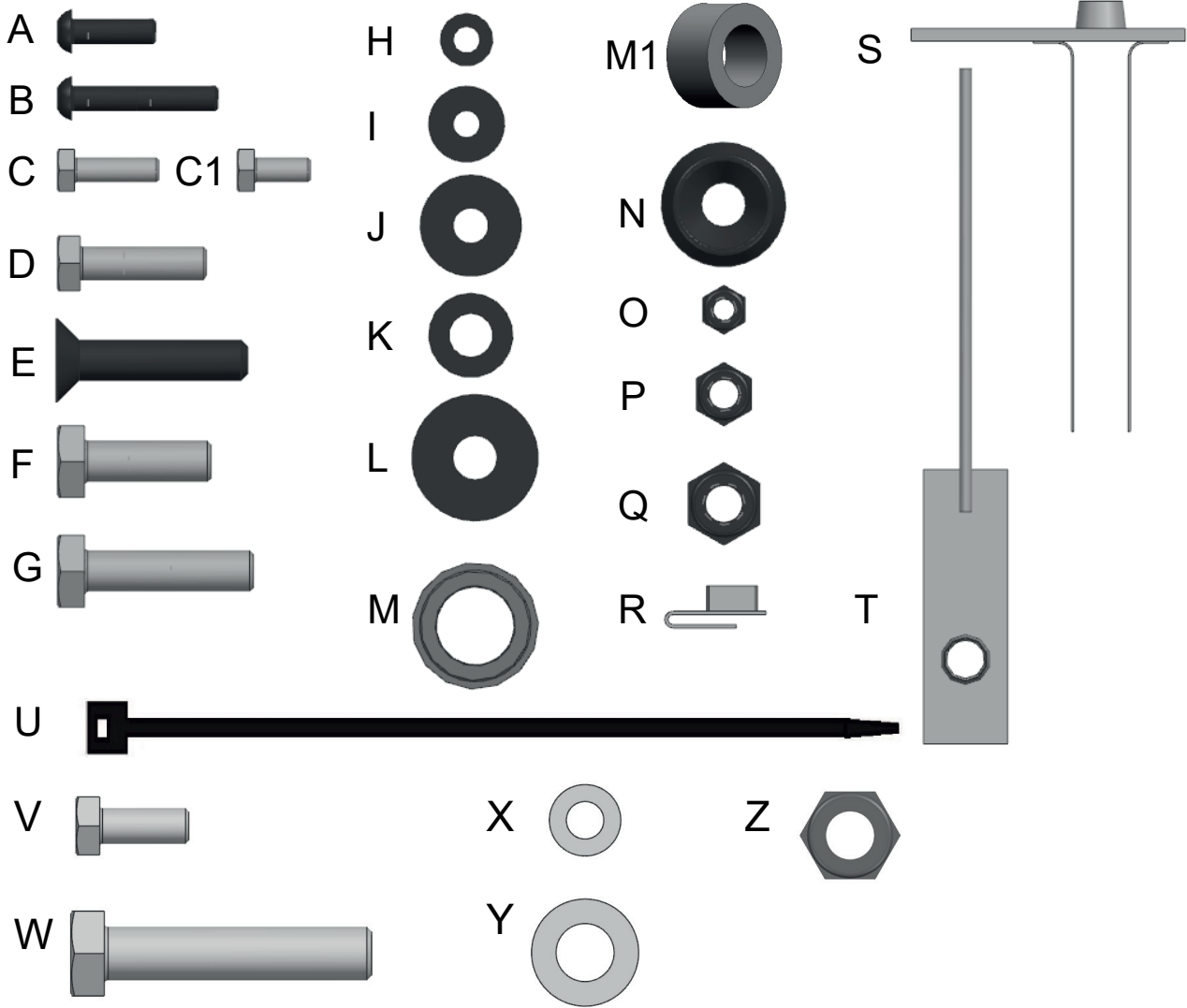
- \* M6 - 9 N·m
- \* M8 - 24 N·m
- \* M10 - 30 N·m
- \* M12 - 77 N·m

# PARTS LISTING



- |   |   |
|---|---|
| 1. Right plug between wing and light.....Qty 1    | 23. Left bracket for bash plate.....Qty 1       |
| 2. Left plug between wing and light.....Qty 1     | 24. Central right bracket for bash plate..Qty 1 |
| 3. Right plug between light and grille.....Qty 1  | 25. Central left bracket for bash plate...Qty 1 |
| 4. Left plug between light and grille.....Qty 1   | 26. Right bracket for reinforcement.....Qty 1   |
| 5. Bracket for light and grille plug.....Qty 2    | 27. Left bracket for reinforcement.....Qty 1    |
| 6. Bumper body.....Qty 1                          | 28. Flap right.....Qty 1                        |
| 7. Insert nut M6 with 2 nuts.....Qty 2            | 29. Flap left.....Qty 1                         |
| 8. Right bracket between wing and light...Qty 1   | 30. Weatherstrip.....Qty 1                      |
| 9. Left bracket between wing and light....Qty 1   | 31. Skid plate bracket.....Qty 2                |
| 10. Right bracket between light and grilleQty 1   | 32. LED light cap.....Qty 2                     |
| 11. Left bracket between light and grille...Qty 1 | 33. LED bracket.....Qty 2                       |
| 12. Right bumper end cap.....Qty 1                | 34. Bash plate.....Qty 1                        |
| 13. Left bumper end cap.....Qty 1                 | 35. Adjusting plate 2mm.....Qty 4               |
| 14. Radar plug.....Qty 1                          | 36. Adjusting plate 3mm.....Qty 4               |
| 15. Insert nut M10 with 2 nuts.....Qty 2          | 37. Parking sensor holding bracket.....Qty 6    |
| 16. Side grille.....Qty 2                         | 38. Right bracket for reinforcement.....Qty 1   |
| 17. Central grille.....Qty 2                      | 39. Left bracket for reinforcement.....Qty 1    |
| 18. Grille bracket right.....Qty 1                | 40. Recovery point.....Qty 2                    |
| 19. Grille bracket left.....Qty 1                 | 41. Recovery point bracket.....Qty 2            |
| 20. License plate bracket.....Qty 1               | 42. Left intercooler bracket.....Qty 1          |
| 21. Winch bracket.....Qty 1                       | 43. Right intercooler bracket.....Qty 1         |
| 22. Right bracket for bash plate.....Qty 1        |   |

# PARTS LISTING



A. Screw M6x20 round-head.....	Qty 46	M1. Spacer.....	Qty 2
B. Screw M6x40 round-head.....	Qty 2	N. Countersunk washer.....	Qty 6
C. Bolt M6x20.....	Qty 24	O. Nut M6.....	Qty 20
C1. Bolt 6x16.....	Qty 12	P. Nut M8.....	Qty 4
D. Bolt M8x30.....	Qty 10	Q. Nut M10.....	Qty 26
E. Screw M10x30 countersunk-head...	Qty 6	R. U-nut M6.....	Qty 14
F. Bolt M10x30.....	Qty 24	S. Insert nut M10 with cable.....	Qty 6
G. Bolt M10x40.....	Qty 6	T. Insert nut M8.....	Qty 4
H. Washer 6.....	Qty 84	U. Cable tie.....	Qty 10
I. Washer penny 6.....	Qty 8	V. Bolt M8x20.....	Qty 4
J. Washer penny 8.....	Qty 14	W. Bolt M12x50.....	Qty 8
K. Washer 10.....	Qty 44	X. Washer 8.....	Qty 4
L. Washer penny 10.....	Qty 12	Y. Washer 12.....	Qty 16
M. Parking sensor washer.....	Qty 6	Z. Nut M12.....	Qty 8

# INSTALLATION PROCEDURE

## Preparation for installation



Fig.1

1. Open the hood. Disconnect terminal “-” from the vehicle battery (fig.1).



Fig.2

2. Remove the plastic pad clip. Dismantle the clips (fig.2).

**\*Set aside for re-use later on.**

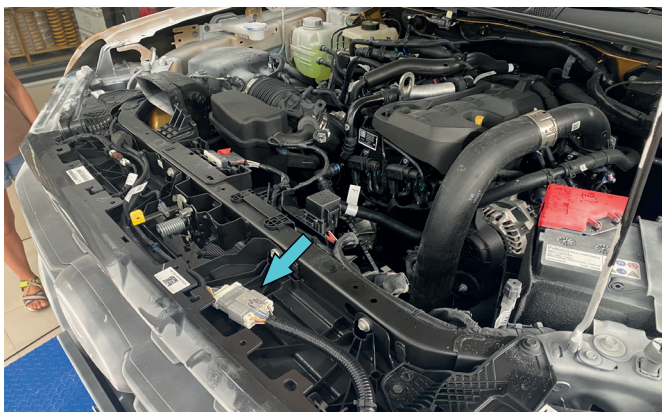


Fig.3

3. Disconnect OE wiring (fig.3).



Fig.4

4. Unscrew OE bolts (fig.4).

**\*Set aside for re-use later on.**



Fig.5

5. Remove radiator grille (fig.5).

**\*Set aside for re-use later on.**

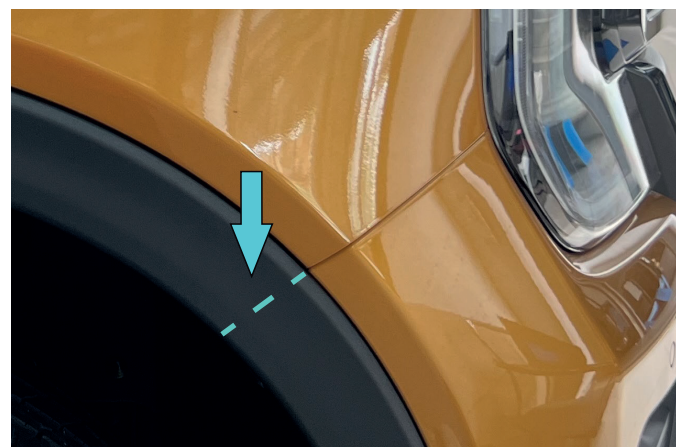


Fig.6

6. Mark future cutting line along the bumper split line (fig.6).

# INSTALLATION PROCEDURE



Fig.7

7. Remove plastic clips, unscrew OE bolts and remove fenders (fig.7). Cut plastic fender following marked cutting line using jig-saw or shears.



Fig.8

8. Install OE plastic fenders and fix it using OE hardware (fig.8).

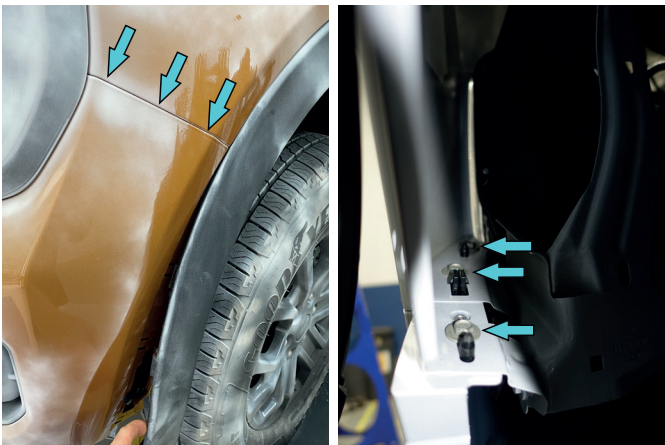


Fig.9

9. Unscrew OE bolts (fig.9).

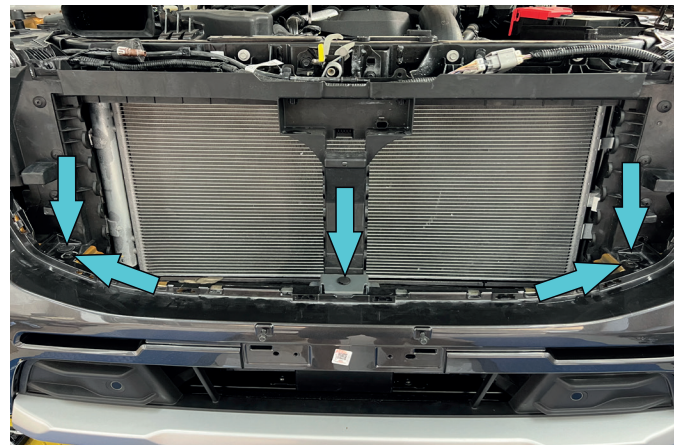


Fig.10

10. Remove plastic clips, unscrew bolts and remove OE bumper (fig.10).

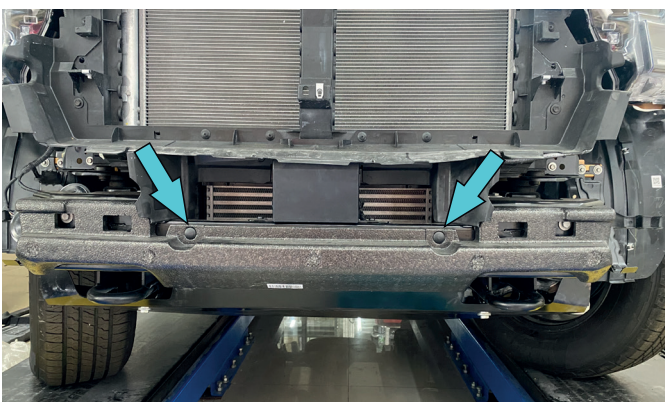


Fig.11

11. Remove plastic clips and remove damper (fig.11).

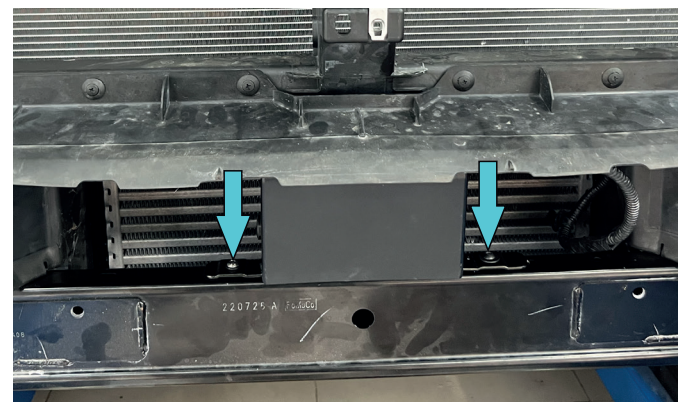


Fig.12

12. If your vehicle has radar, unscrew OE bolts (fig.12).

**\*Set aside for re-use later on.**

# INSTALLATION PROCEDURE

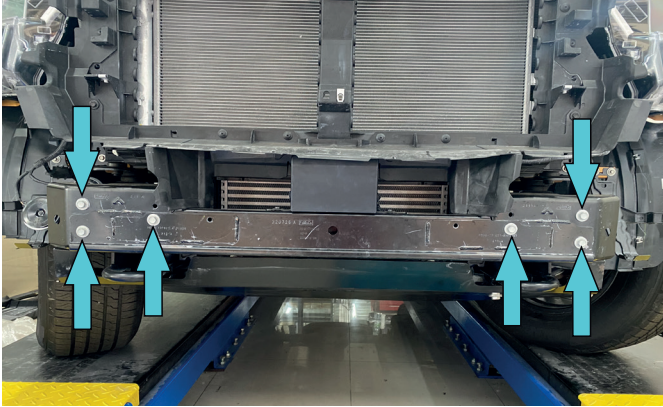


Fig.13

13. Unscrew OE bolts and remove OE beam (fig. 13).

**\*Set aside for re-use later on.**

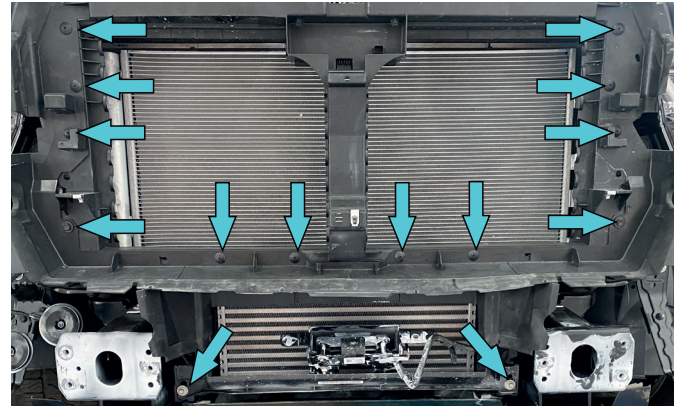


Fig.14

14. Unscrew OE bolts and remove OE plastic covers (fig.14).



Fig.15

15. If your vehicle has radiator louvres, unscrew OE bolts, disconnect electronic connector and remove radiator louvres (fig.15).

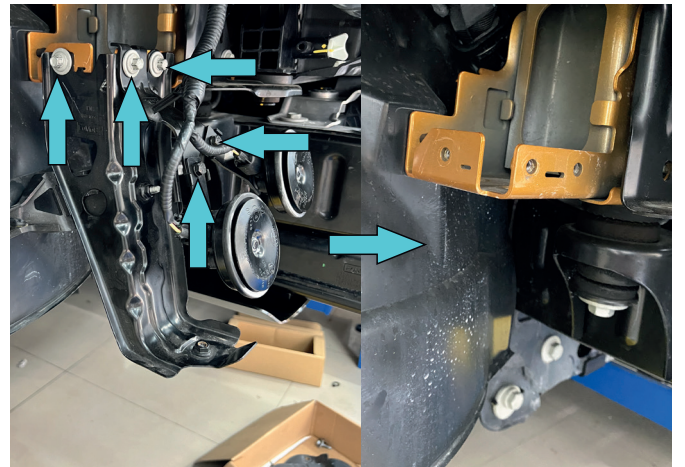


Fig.16

16. Unscrew OE bolts and remove bracket on both sides of the vehicle (fig.16).

**\*Set aside for re-use later on.**

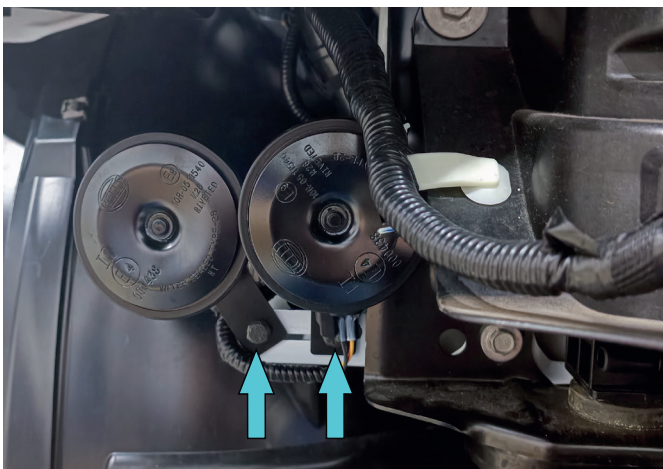


Fig.17

17. Install OE horn as shown in fig 17. and fix it using OE bolts.

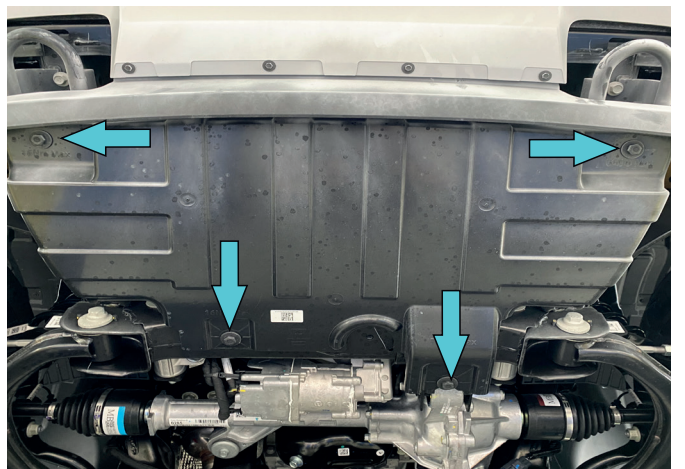


Fig.18

18. Unscrew OE bolts and remove OE skid plate (fig.18).

**\*Set aside for re-use later on.**

# INSTALLATION PROCEDURE



Fig.19

19. Fix intercooler using transmission jack, then unscrew OE bolts and remove OE recovery points (fig.19).

**\*Set aside for re-use later on.**

## Winch bracket installation procedure (steps 20-24)

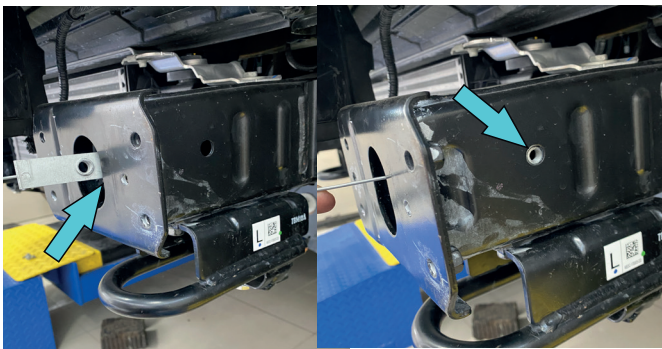


Fig.20

20. Install insert nuts M8 with cable (item T) into hole of OE frame on both sides of the frame as shown in fig.20.

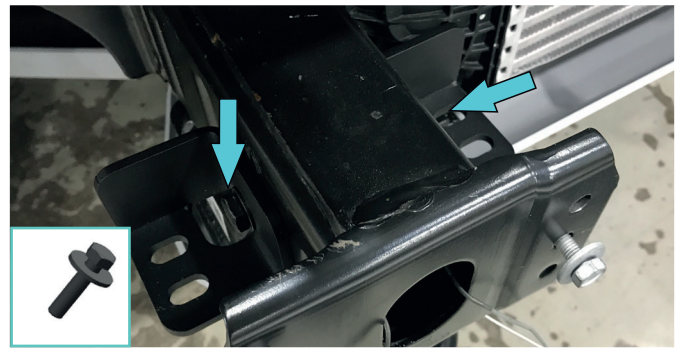


Fig.21

21. Install brackets for reinforcement (item 26, 27) on the right side of the frame using bolts M8x30, washers 8 (item D, J) (fig.21).

**\*Do not tighten yet.**

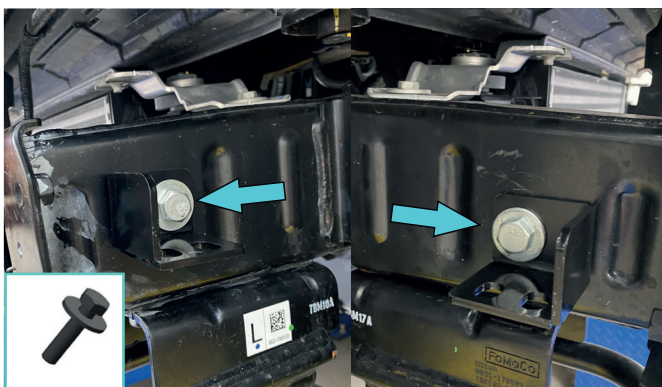


Fig.22

22. Install brackets for reinforcement (item 38, 39) on the left side of the frame using bolts M8x30, washers 8 (item D, J) (fig.22).

**\*Do not tighten yet.**

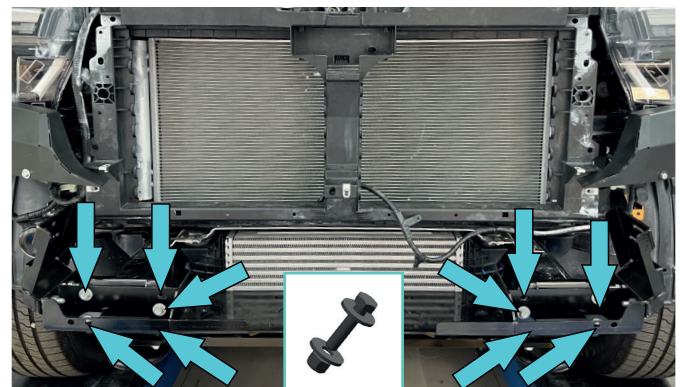


Fig.23

23. Install winch bracket (item 21). Fix it on the frame using OE bolts, bolts M8x30, nuts M8, washers 8 (item D, P, J) (fig.23).

**\*Do not tighten yet.**

# INSTALLATION PROCEDURE

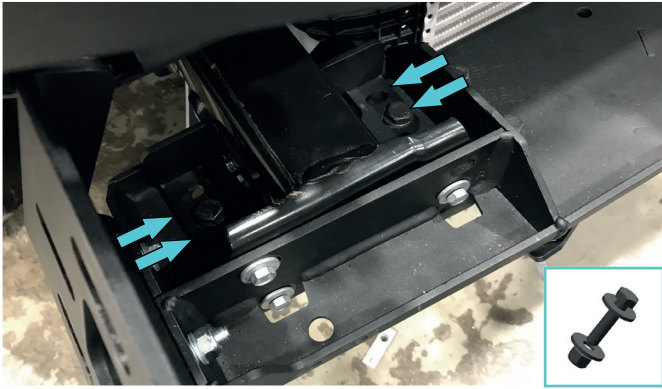


Fig.24

24. Fix winch bracket on brackets for reinforcement using bolts M10x30, nuts M10, washers 10 (item F, Q, K) (fig.24).  
**\*Tighten hardware after that.**

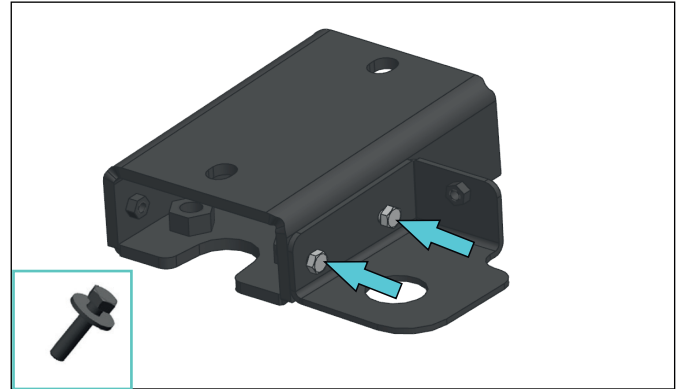


Fig.25

25. Install intercooler bracket (item 42) on recovery point bracket (item 41) and fix it using bolts M6x20, washers 6 (item C, H) (fig.25).  
**\*Tighten hardware after that.**

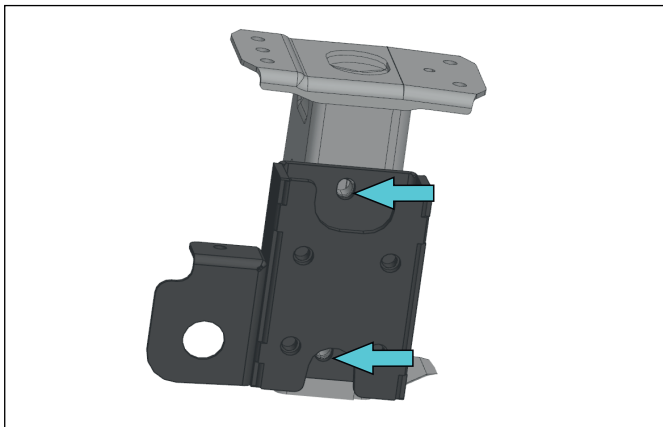


Fig.26

26. Install recovery point bracket (item 41) on the left side of the vehicle and fix it using OE bolts as shown in fig.26.  
**\*Tighten hardware after that.**

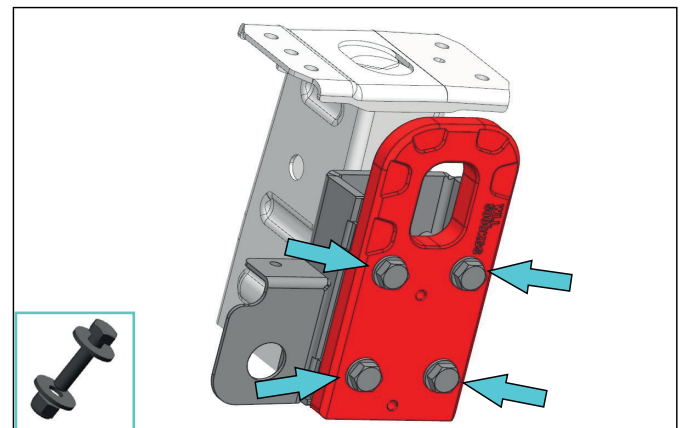


Fig.27

27. Install recovery point (item 40) on recovery point bracket (item 41) and fix it using bolts M12x60, washers 12 and nuts M12 (item W, Y, Z) (fig.27).  
**\*Tighten hardware after that.**

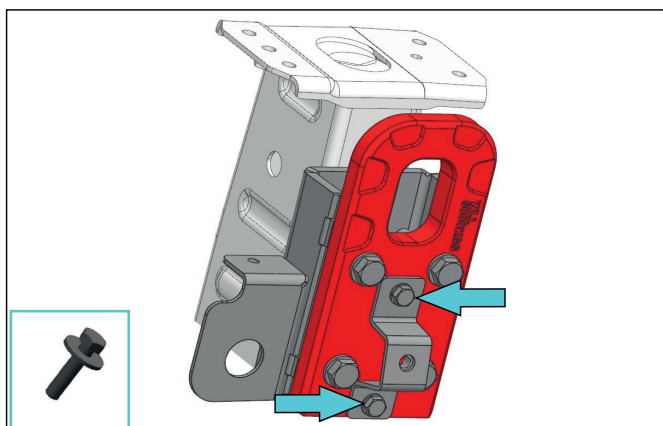


Fig.28

28. Install skid plate bracket (item 31) on recovery point (item 40) and fix it using bolts M8x20, washers 8 (item V, X) (fig.28).  
**\*Tighten hardware after that.**

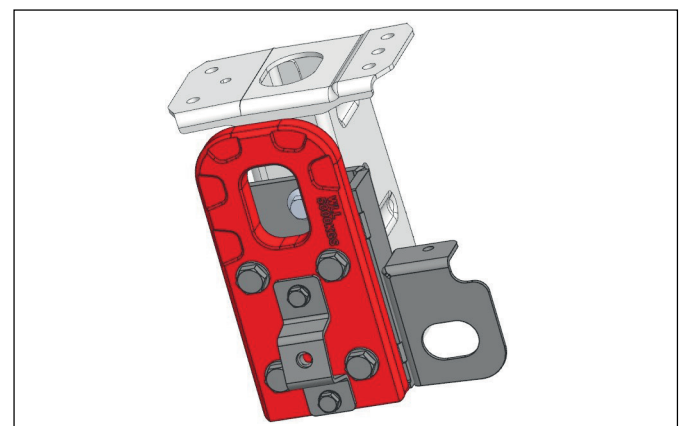


Fig.29

29. Similarly install on the right side of vehicle (fig.29).

# INSTALLATION PROCEDURE

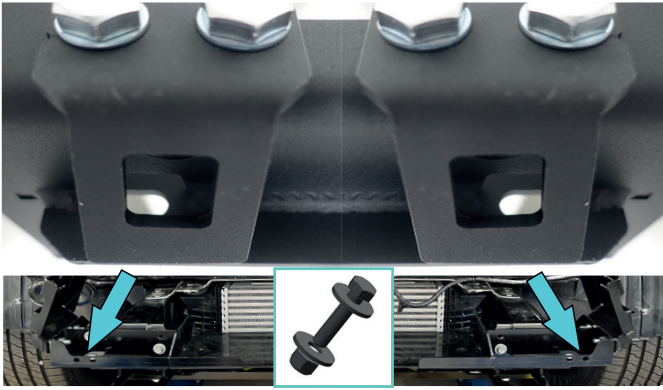


Fig.30

30. Install brackets for bash plate (item 22, 23) using bolts M10x30 nuts M10, washers 10 (item F, Q, K) (fig.30).

**\*Tighten hardware after that.**

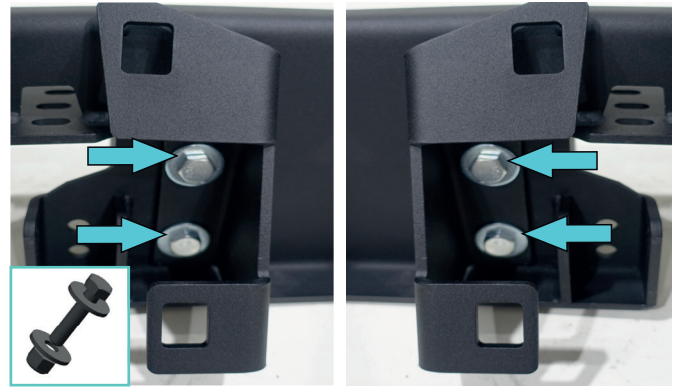


Fig.31

31. Install central brackets for bash plate (item 24, 25) using bolts M10x30, nuts M10, washers 10 (item F, Q, K) (fig.31).

**\*Tighten hardware after that.**

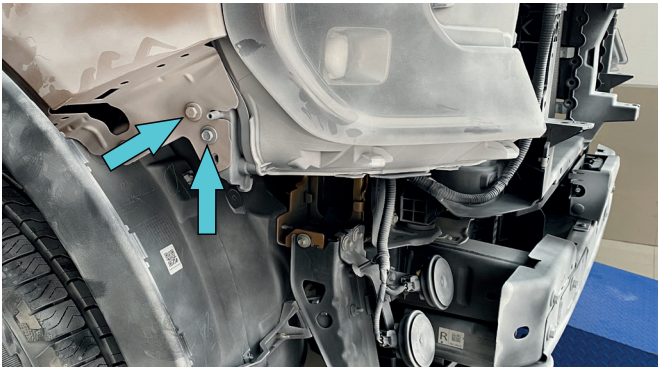


Fig.32

32. Unscrew OE screws on both sides of the vehicle as shown in fig. 32.

**\*Set aside for re-use later on.**

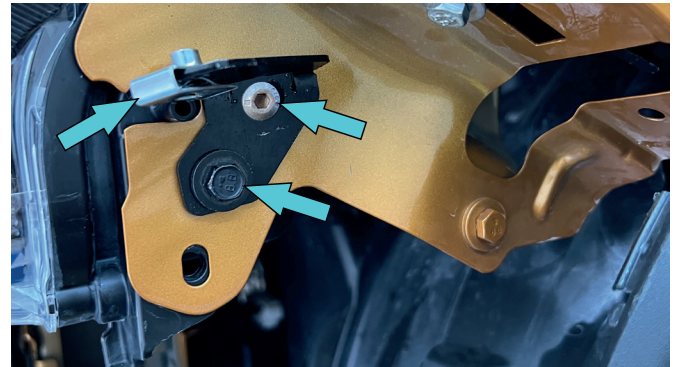


Fig.33

33. Install brackets between wing and light (item 8, 9) using OE bolts and screws M6x20 with washers 6 (item A, H). Install U-nuts M6 (item R) on brackets (fig.33).

**\*Do not tighten yet.**

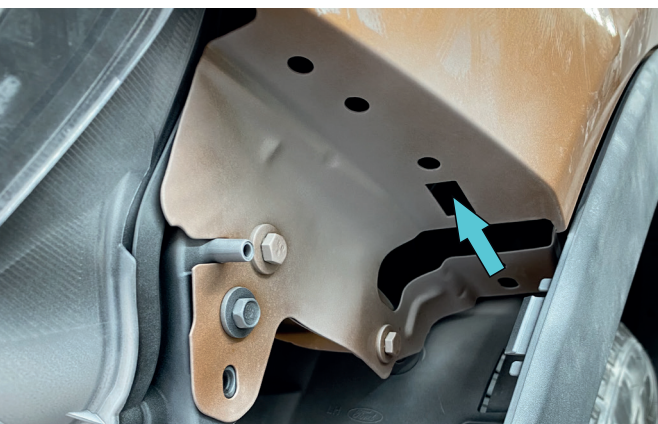


Fig.34

34. Install insert nuts M6 with 2 nuts (item 7) on both sides of the vehicle (fig.34).

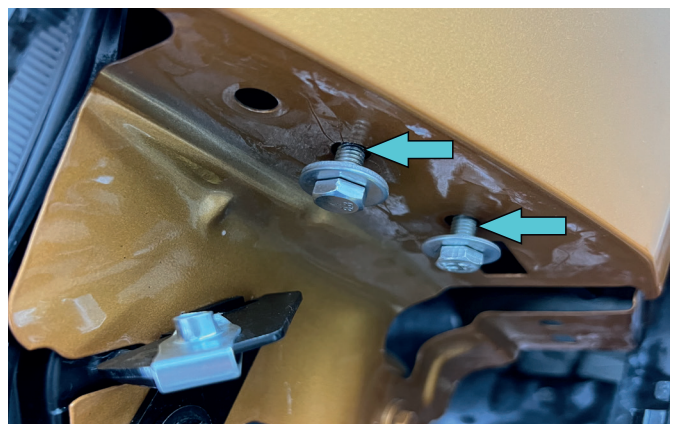


Fig.35

35. Loosen bolts M6x20 with washers 6 (item C, I) into insert nuts M6 with 2 nuts (item 7) (fig.35).

# INSTALLATION PROCEDURE



Fig.36

36. Install plugs between wings and lights (item 1, 2) on bolts installed on step 34. Fix it on brackets between wing and light (item 8, 9) using screws M6x20 and washers 6 (item A, H) (fig.36).

**\*Tighten hardware after that.**

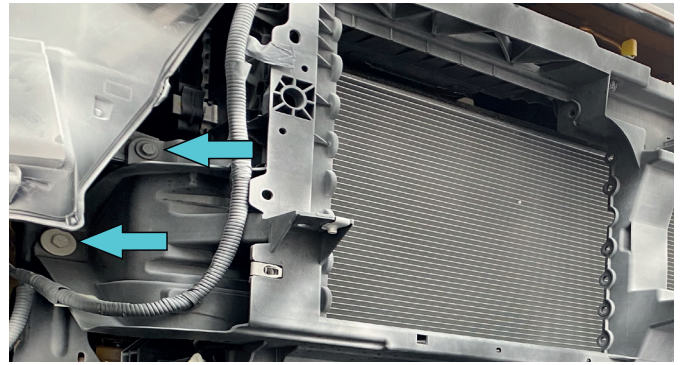


Fig.37

37. Unscrew OE bolts on both sides of the vehicle (fig.37).

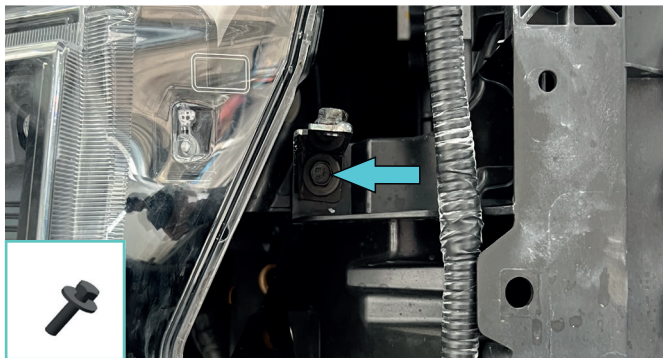


Fig.38

38. Install brackets for light and grille plug (item 5) as shown in fig. 38. Fix it using bolts M6x20 and washers 6 (item C, H).

**\*Do not tighten yet.**

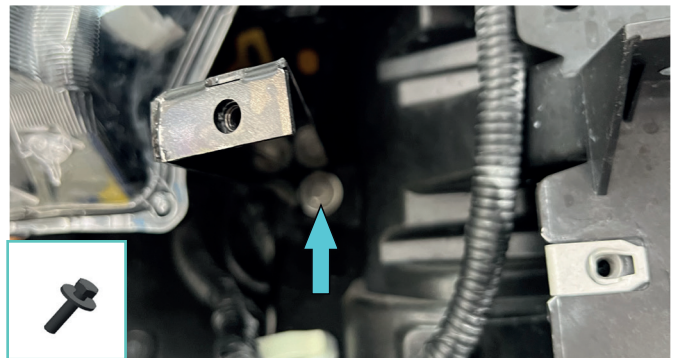


Fig.39

39. Install brackets between light and grille (item 10, 11), as shown in fig. 39. Fix it using bolts M8x30 and washers 8 (item D, J).

**\*Do not tighten yet.**

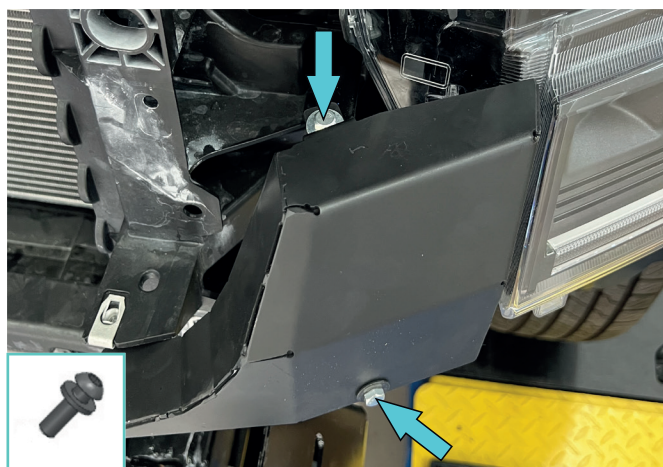


Fig.40

40. Install plugs between light and grille (item 3, 4) as shown in fig. 40. Adjust the plugs and fix it using screws M6x20 and washers 6 (item A, H).

**\*Tighten hardware after that.**

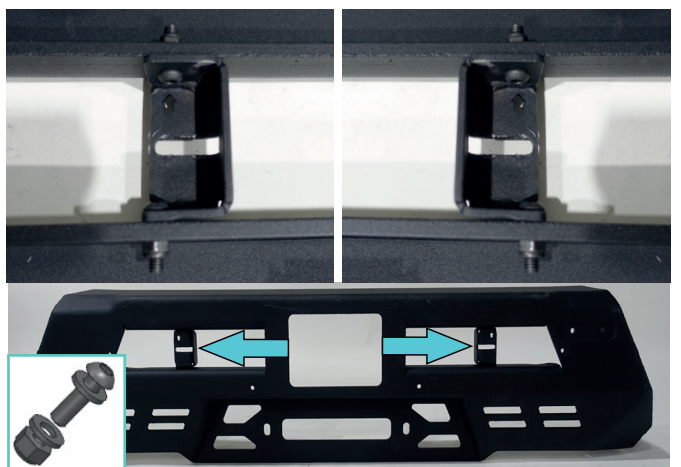


Fig.41

41. Install grille brackets (item 18, 19) as shown in fig. 41. Fix it using screws M6x20, nuts M6 and washers 6 (item A, O, H).

**\*Do not tighten that.**

# INSTALLATION PROCEDURE

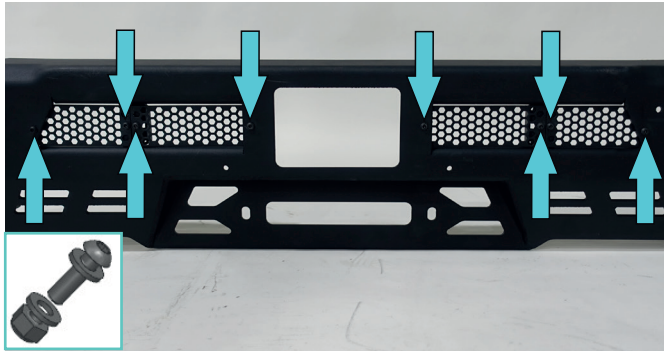


Fig.42

42. Install grilles (item 16, 17) on bumper body as shown in fig. 42. Fix it using screws M6x20, nuts M6 and washers 6 (item A, O, H).  
**\*Tighten hardware after that.**



Fig.43

43. Do not install grille on the left or right side of bumper body, in case you will install winch (fig.43).

## Parking sensor installation procedure

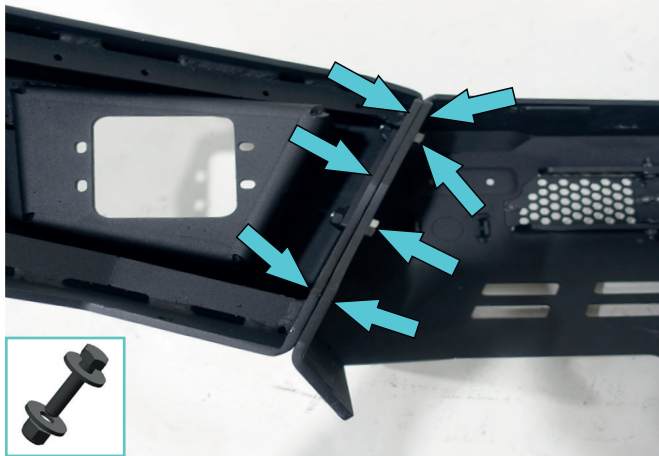


Fig.44

44. Assemble bumper body and bumper end caps (item 6, 12, 13) fix it using insert nut M10 with 2 nuts (item 15), bolts M10x30, nuts M10, washers 10 (item F, Q, K) (fig.44).  
**\*Tighten hardware after that.**

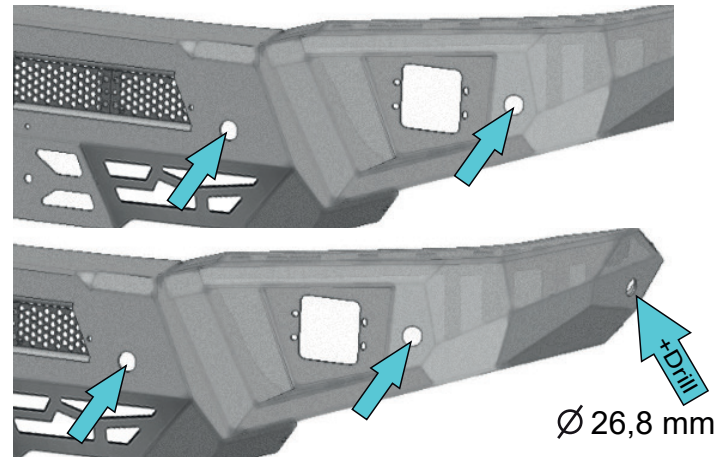


Fig.45

45. In case if your vehicle has 4 parking sensors, hammer out 4 plugs, on assembled bumper, placed closer to center. If your vehicle has 6 parking sensors, then hammer out all plugs of the bumper. Drill holes to diameter of 26,8 mm on both sides as shown in fig 45.

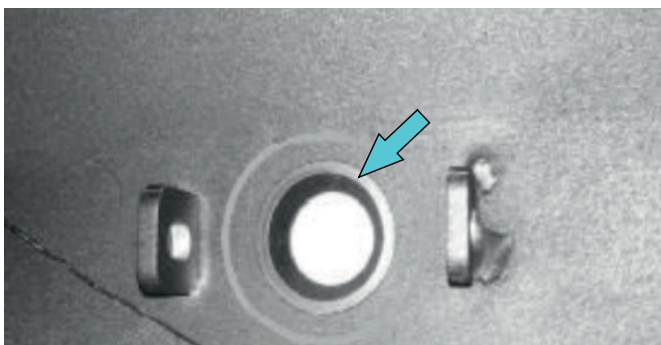


Fig.46

46. Install in parking sensors holes parking sensor washers (item M) (fig.46).

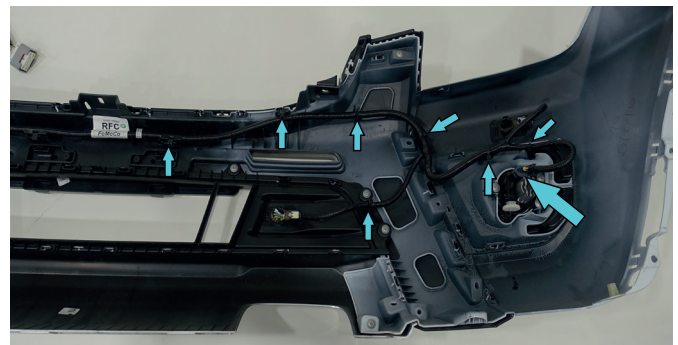


Fig.47

47. Disconnect electronic connectors on both sides of the vehicle and remove OE wires with parking sensors on OE bumper (fig.47).

# INSTALLATION PROCEDURE

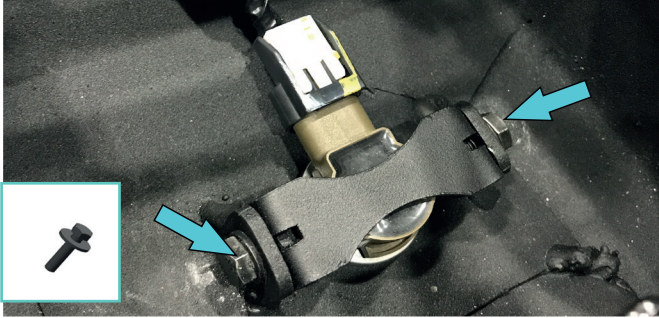


Fig.48

48. Install parking sensors in bumper body and fix them using parking sensor holding brackets, bolts M6x16, washers 6 (item 37, C1, H). Fix wiring on the bumper using cable ties (item U) (fig.48).

**\*Tighten hardware after that.**



Fig.49

49. If there is no radar on your vehicle, then install radar plug (item 38) on bumper body and fix it using screws M6x20, nuts M6, washers 6 (item A, O, H) (fig.49).

**\*Tighten hardware after that.**



Fig.50

50. Fix your aftermarket LED cubic lights to brackets (item 33). These brackets are not compatible with flush mount LED lights (part number 2D.0041.1, purchased separately) (fig.50).

**\*Tighten hardware after that.**



Fig.51

51. Install LED lights or LED Light caps (item 32), using screws M6x20, washers 6 (item A, H) and LED brackets (item 33) (fig.51).

**\*Tighten hardware after that.**

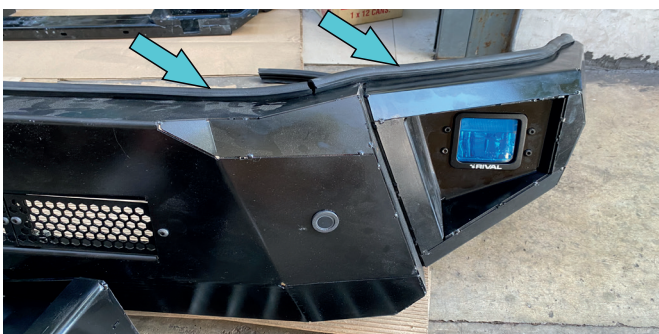


Fig.52

52. Install weatherstrip (item 30) on bumper body, as shown in fig.52, 53.

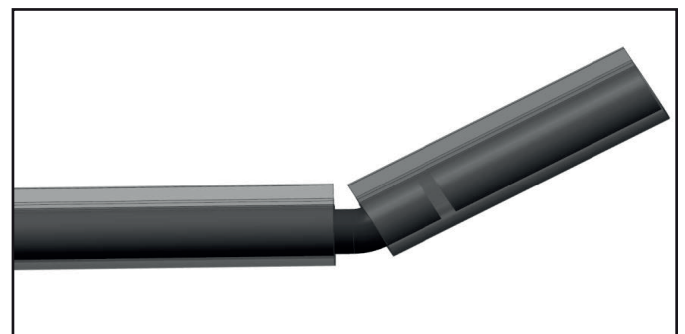


Fig.53

# INSTALLATION PROCEDURE

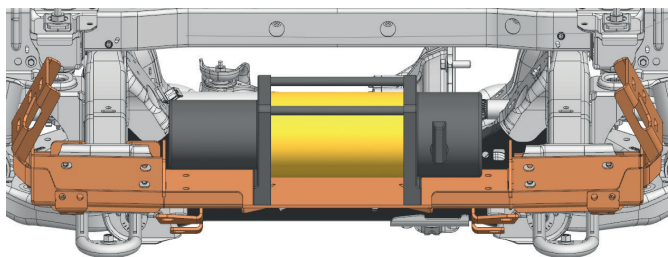


Fig.54

53. Install the winch (fig. 54).

## Bumper body installation procedure



Fig.55

54. Install bumper body on winch bracket (item 21). Adjust the bumper to align on the vehicle, use adjusting plates 2mm or 3mm (item 35, 36) if it is necessary. Fix bumper using bolts M10x40, nuts M10, washers penny 10 (item G, Q, L) (fig. 55).

**\*Tighten hardware after that.**

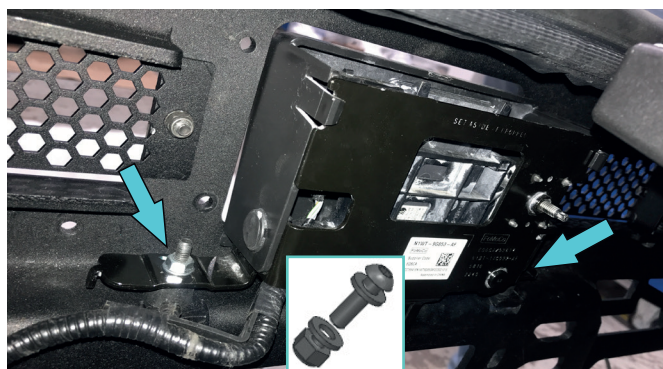


Fig.56

55. If your vehicle has radar, then install radar on bumper body using spacers (item M1). Fix radar using screws M6x40, nuts M6, washers 6 (item B, O, H) (fig.56).

**\*Tighten hardware after that.**

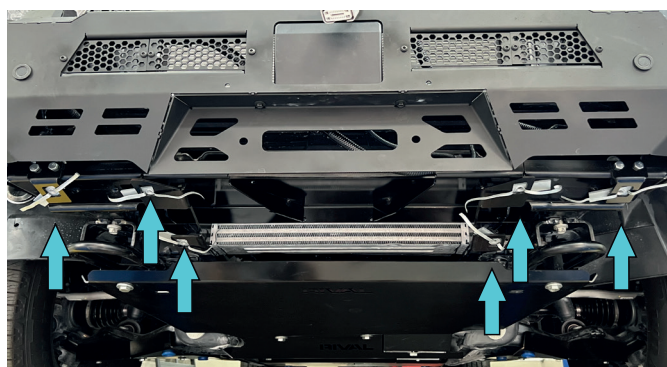


Fig.57

56. Install insert nuts M10 with cable (item S) into holes of brackets (item 22, 23, 24, 25) as shown in fig.57.

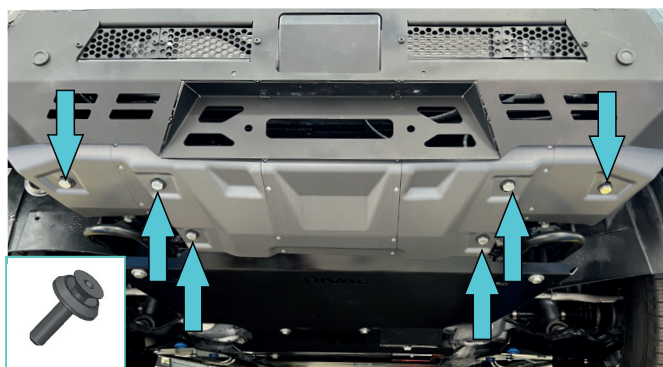


Fig.58

57. Fix bash plate (item 34) using screws M10x30 countersunk-head, countersunk washers (item E, N).

**\*Tighten hardware after that.**

# INSTALLATION PROCEDURE



Fig.59

58. Install license plate bracket (item 20) to bumper body (item 14) using screws M6x20, washers 6, nuts M6 (item A, O, H) (fig.59).  
**\*Tighten hardware after that.**



Fig.60

59. Install the fairlead on the bumper, in case if you installed the winch, fasteners supplied with fairlead (fig. 60).  
**\*Tighten hardware after that.**

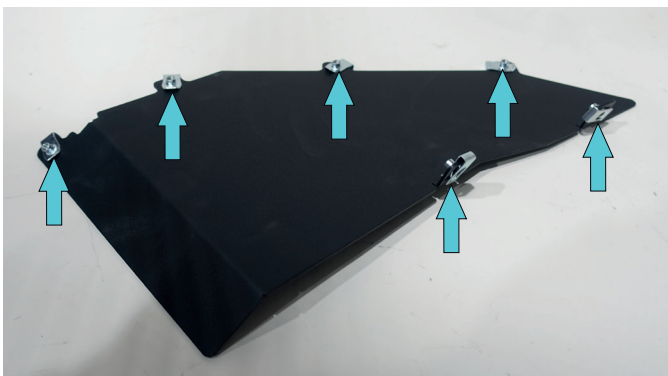


Fig.61

60. Fit U-nuts M6 (item R) on flaps (item 28, 29) (fig. 61).

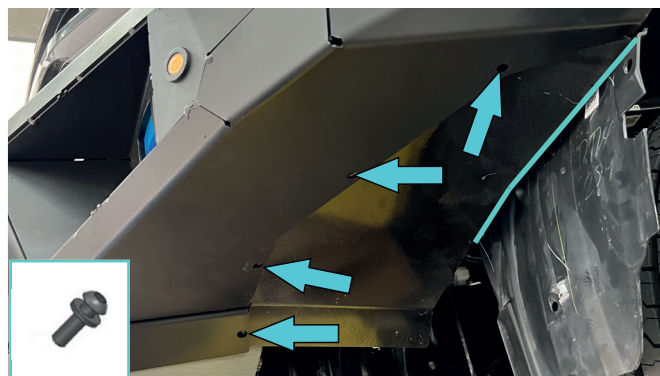


Fig.62

61. Install flaps (item 28, 29) using screws M6x20, washers 6 (item A, H) onto the bumper body on each side. **\*Tighten hardware after that.** Push the flap to plastic fender and mark future cutting line. Cut plastic fender following marked cutting line using jig-saw or shears (fig. 62).



Fig.63

62. Mark and drill 2 holes in plastic fender according with holes in flap on each side of the vehicle. Fix flaps and fenders using screws M6x20, washers 6 (item A, I) (fig. 63).  
**\*Tighten hardware after that.**

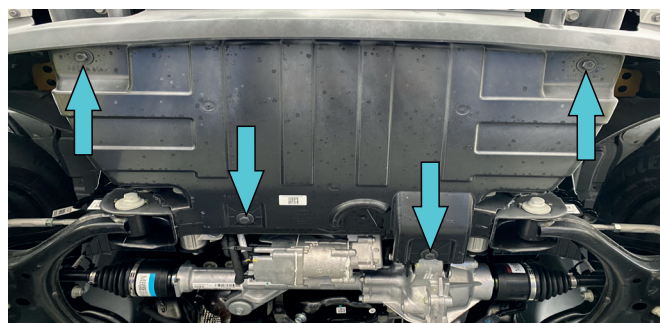


Fig.64

63. Install OE skid plate and fix it using OE hardware (fig.64).

# INSTALLATION PROCEDURE

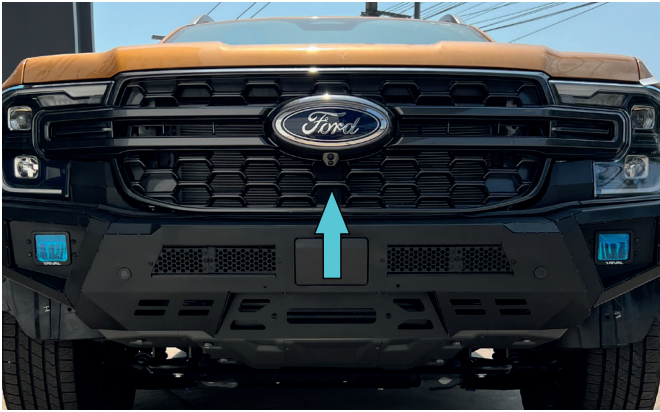


Fig.65

64. Install OE grille (fig.65).

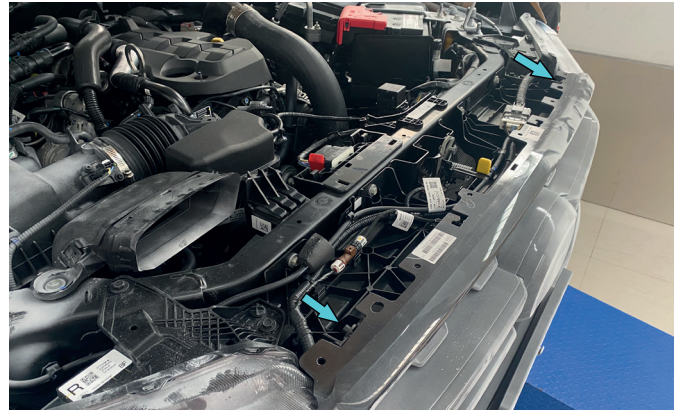


Fig.66

65. Fix OE grille using OE bolts (fig.66).

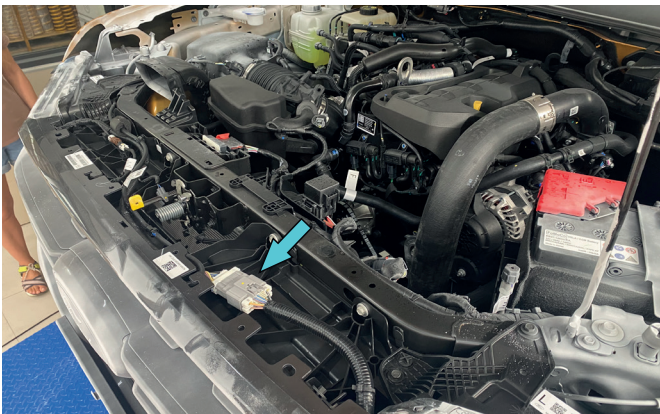


Fig.67

66. Connect OE wirings back (fig.67).



Fig.68

67. Install OE plastic pad and fix it using OE clips (fig.68).

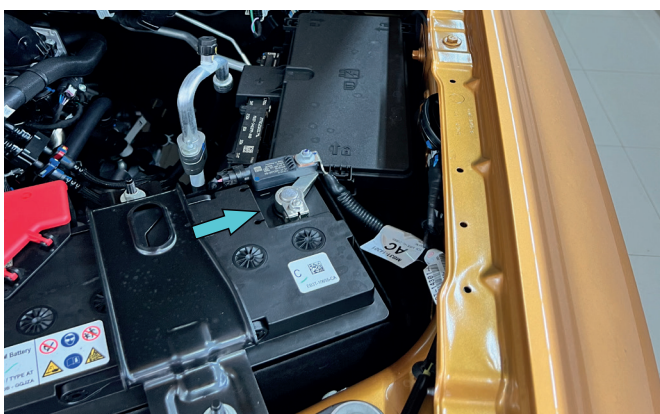


Fig.69

68. Connect terminal "-" on the battery (fig.69).

# INSTALLATION PROCEDURE

Before operating a vehicle fitted with RIVAL Bumper 2D.1814.1-NL:

- make sure all fittings are tightened
- check winch operation
- check that all electrical wiring is attached to the lights

