

# INSTALLATION MANUAL

PRODUCT: RIVAL WINCH MOUNT BRACKET FOR STEEL FRONT BUMPER

MODEL: JEEP WRANGLER JK (2007-2018)  
JEEP WRANGLER JL (2018-)  
JEEP GLADIATOR JT (2019-)

PART NO: 2D.2715.1.2



## CAUTION!

To reduce the risk of serious injury or damage, please read and understand all instructions and procedures before attempting to install or use this product. Safety glasses must be worn at all times during installation or maintenance of this product. Ensure all mounting bolts are tensioned after 250 miles (400 km) and periodically thereafter.

## NOTICE

Whilst the winch bracket adds additional protection to your vehicle, precautionary measures still need to be taken to avoid damage.  
Always drive to the conditions and your surroundings.

# WINCH MOUNT BRACKET

Part number: 2D.2715.1.2  
Suited to: JEEP WRANGLER JK 2007-2018  
JEEP WRANGLER JL 2018-  
JEEP GLADIATOR JT 2019-



## SAFETY NOTICE

- \* The RIVAL Winch Bracket is designed to compliment the use and design of the specified vehicle under conditions specified by the vehicle manufacturer.
- \* While driving the vehicle at any speed, collision with any other vehicle, animal or object must always be avoided.
- \* Following any collision with any other vehicle, animal or object, the RIVAL Winch Bracket and the vehicle must be inspected by a specialized or suitably qualified vehicle repairer for possible damage to the components and assemblies in order to confirm suitability for further use of the vehicle.
- \* It is strongly recommended that you do not operate a vehicle with a damaged Winch Bracket or its components. In the case of damage, please contact the nearest RIVAL dealer. Vehicle, or where the Winch Bracket has been damaged, is extremely dangerous and must be avoided at all cost.
- \* The operation of a vehicle where the Winch Bracket is not properly attached and fastened to the vehicle, or where the Winch Bracket has been damaged, is extremely dangerous and must be avoided at all cost.
- \* It is recommended that you carry out regular inspections of all the Winch Bracket elements such as all bolts, wires, connectors.
- \* A winch with a pull capacity of up to 12000 lb can be installed with the RIVAL Winch Bracket. It is not advisable to exceed this pulling capacity since damage, injury or death may occur where the 12000lb recommended capacity is exceeded. The Rival Winch Bracket provides standard 4 1/2"x10" mounting holes.

## INSTALLATION NOTICE

- \* Personal safety during the installation process must be adhered to at all times and the use.
- \* Estimated time for installation: 1 hour.
- \* The RIVAL Winch Bracket must be mounted and affixed to the vehicle according to this installation manual of personal safety equipment is highly recommended.
- \* Do not install this Winch Bracket on vehicle models other than those allowed in this manual.
- \* Check state and local highway safety laws regarding permitted Winch Bracket types and heights.

## REQUIRED TOOLS

- \* Basic tool kit
- \* Torque wrench
- \* Crosspoint and flat head screwdriver

## TORQUE SETTING

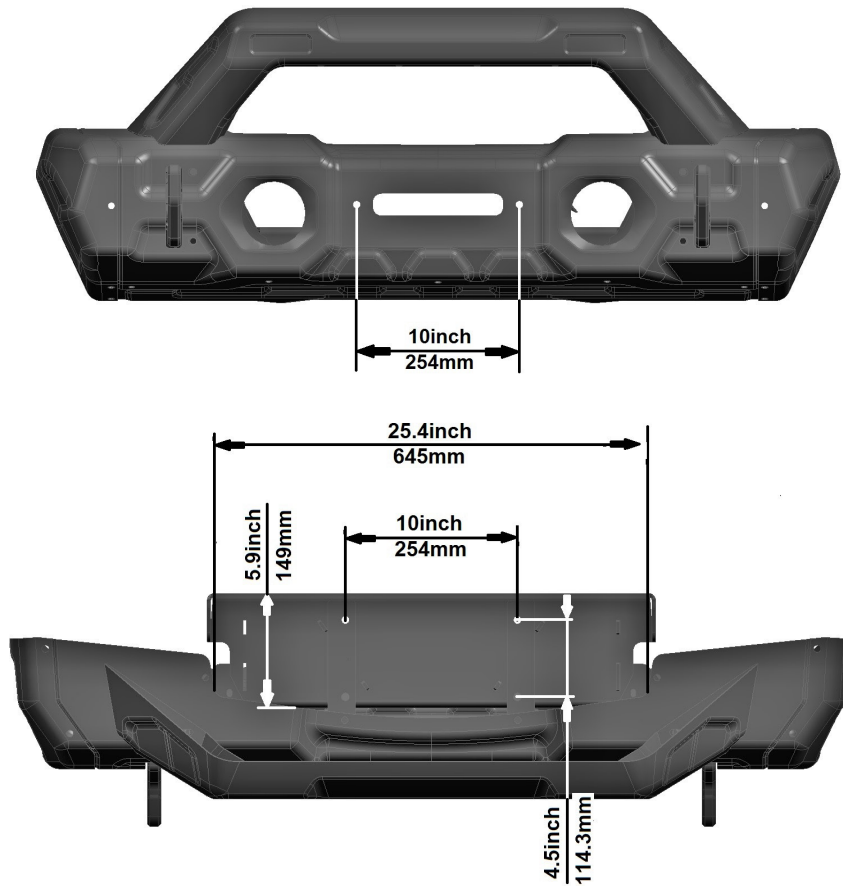
- M6 - 9 Nm (6.6 lb/ft)
- M8 - 24 Nm (17.7 lb/ft)
- M10 - 30 Nm (22.1 lb/ft)
- M12 - 77 Nm (56.8 lb/ft)

# TECHNICAL INFORMATION

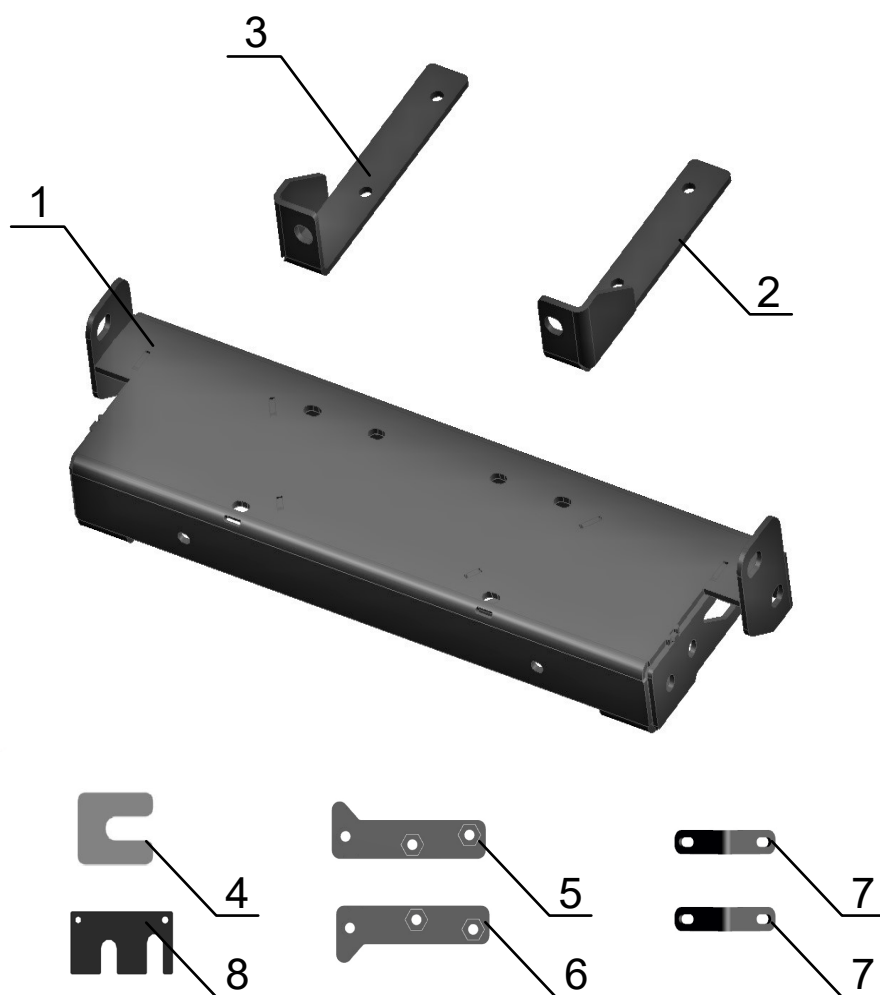
## \* WINCH INSTALLATION

A winch with a pull capacity of up to 12000 lbs can be installed with the RIVAL Winch Bracket. It is not advisable to exceed this pulling capacity since damage, injury or death may occur where the 12000 lbs recommended capacity is exceeded.

## WINCH MEASUREMENTS:

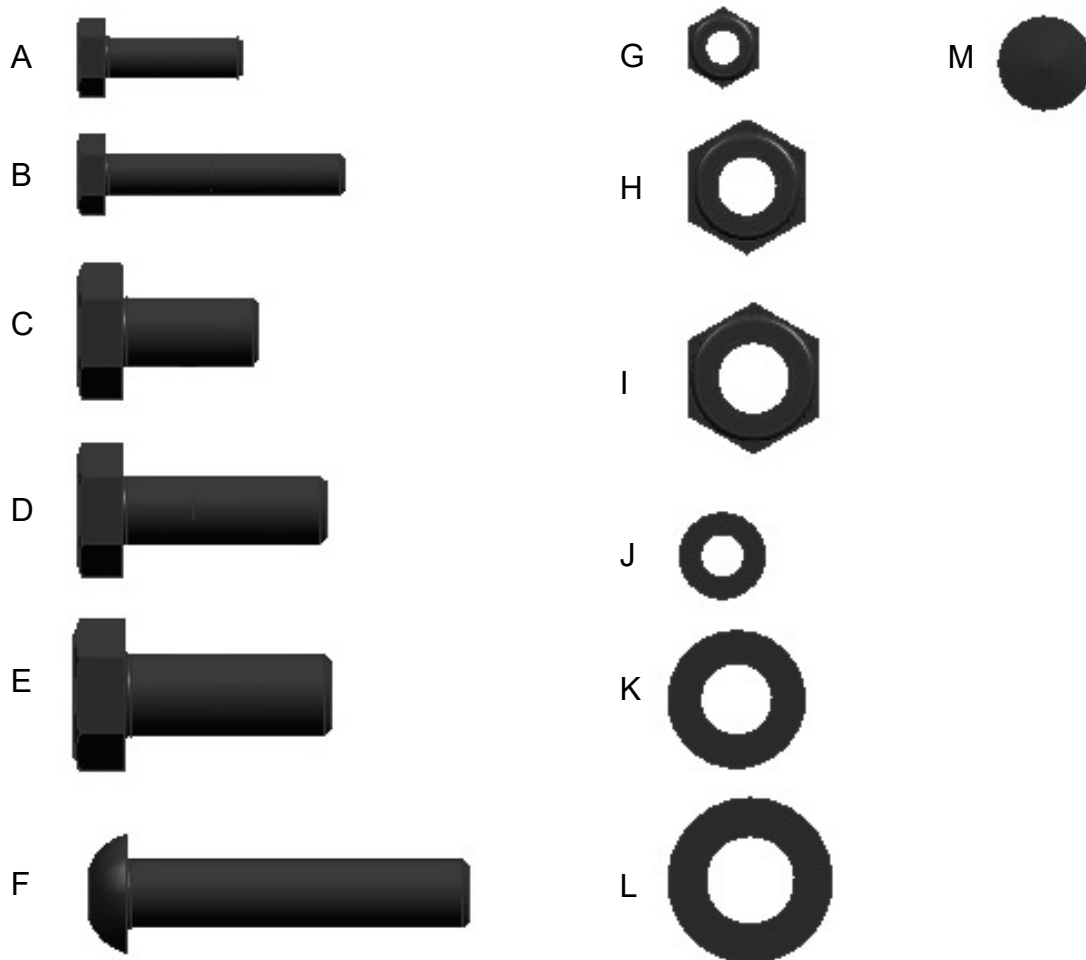


# PARTS LISTING



1. Winch bracket.....	Qty 1
2. Fairlead right bracket.....	Qty 1
3. Fairlead left bracket.....	Qty 1
4. Adjustment plate 2mm.....	Qty 8
5. Insert bracket left (JK).....	Qty 1
6. Insert bracket right (JK).....	Qty 1
7. Vacuum pump bracket.....	Qty 2
8. Adjustment plate.....	Qty 6

# PARTS LISTING



A. Bolt M6x20.....	Qty 2
B. Bolt M6x35.....	Qty 2
C. Bolt M10x20.....	Qty 4
D. Bolt M10x30.....	Qty 2
E. Bolt M12x30.....	Qty 4
F. Screw M10x50.....	Qty 2
G. Nut M6.....	Qty 4
H. Nut M10.....	Qty 2
I. Nut M12.....	Qty 4
J. Washer 6 mm.....	Qty 8
K. Washer 10 mm.....	Qty 10
L. Washer 12 mm.....	Qty 8
M. Plastic plug 16mm.....	Qty 4

# INSTALLATION PROCEDURE



Fig. 1

1. Unscrew 4 screws and remove steel bumper body, as shown in fig.1.  
**\*Set aside for re-use later on.**

## Winch bracket installation on JK

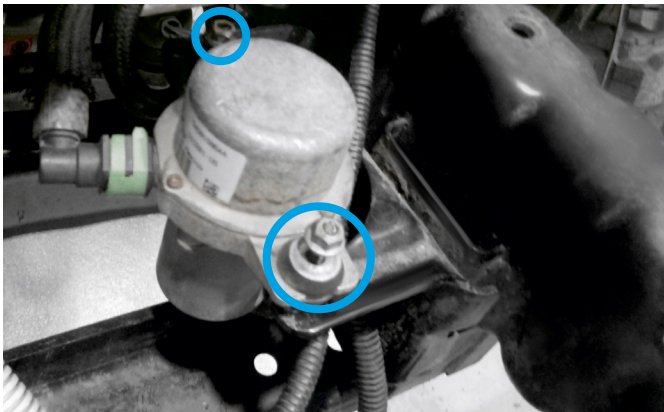


Fig. 2

2. Unscrew vacuum pump nuts and remove vacuum pump (Fig. 2).

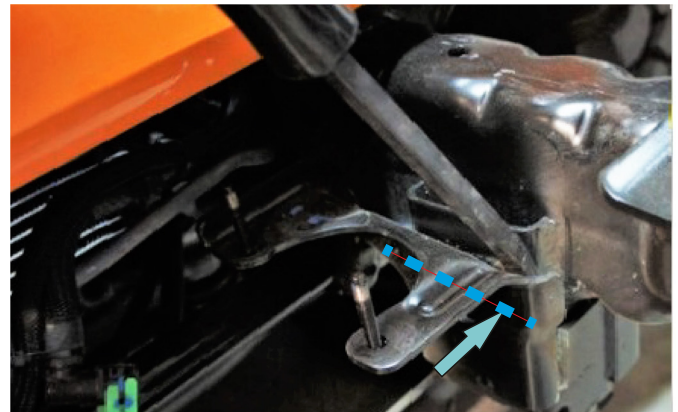


Fig. 3

3. Cut vacuum pump bracket (Fig. 3).

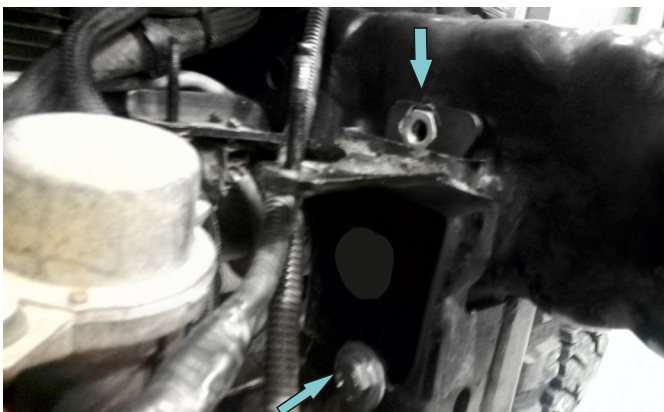


Fig. 4

4. Install insert brackets (item 5, 6), fix them using bolts M10x20 (item C) and washers 10 (item K) on both sides (Fig. 4).  
**\*Do not tighten yet.**

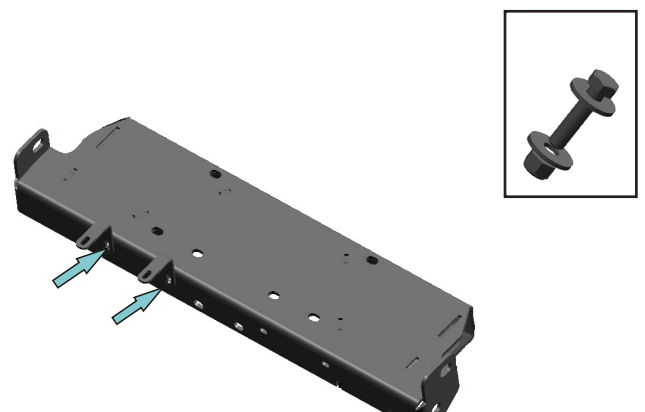


Fig. 5

5. Install vacuum pump brackets (item 7) on the winch plate using bolts M6x20 (item A), washers 6 (item J), nuts M6 (item G) (Fig. 5).  
**\*Tighten hardware after that.**

# INSTALLATION PROCEDURE



Fig. 6

6. Install winch bracket (item 1) on the vehicle frame. Loosen winch bracket (item 1) using bolts M12x30 (item E), nuts M12 (item I) and washers 12 mm (item L) (Fig. 6).

**\*Do not tighten yet.**

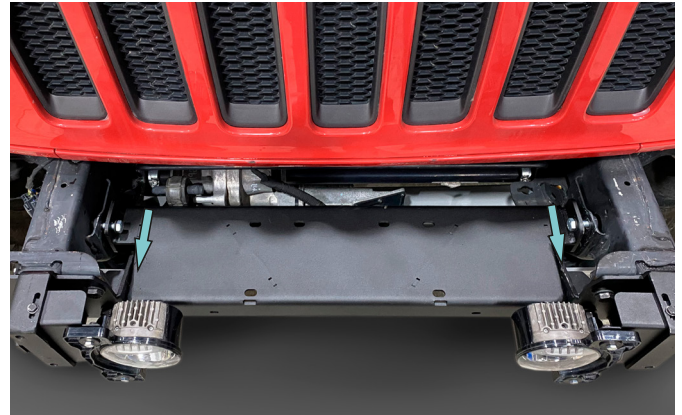


Fig. 7

7. In case of gap between winch bracket (item 1) and brackets place adjustment plates (item 8) into this gap as shown in fig. 7.



Fig. 8

8. Fix the winch bracket (item 1) with brackets (item 5, 6) from the inside, using bolts M10x30 (item D), washers 10 mm (item K) (Fig. 8).

**\*Tighten hardware after that.**



Fig. 9

9. Install vacuum pump on the bracket, preventing contact with radiator. Fix it using bolt M6x35 (item B), washers 6 mm (item J) and nuts M6 (item G) (Fig. 9).

**\*Tighten hardware after that.**

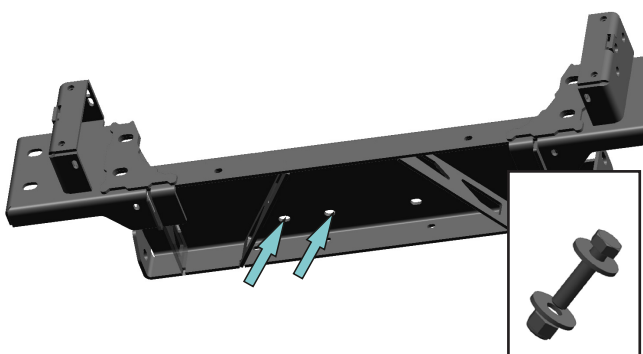


Fig. 10

10. Install horn using OE bracket and bolts M10x20 (item C), washers 10 mm (item K) and nuts M10 (item H) (Fig. 10).

**\*Tighten hardware after that.**

# INSTALLATION PROCEDURE

## Winch bracket installation on JL, JT

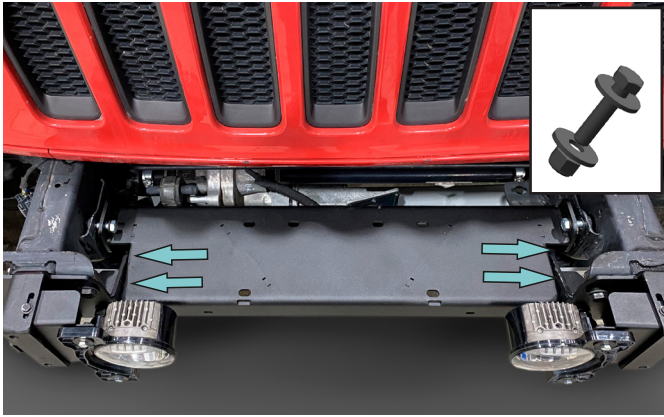


Fig. 11

11. Install winch bracket (item 1) on the vehicle frame. Loosen winch bracket (item 1) using bolts M12x30 (item E), nuts M12 (item I) and washers 12 mm (item L) (Fig. 11).

**\*Do not tighten yet.**



Fig. 12

12. In case of gap between winch bracket (item 1) and brackets place adjustment plates (item 8) into this gap as shown in fig. 12.



Fig. 13

13. Fix the winch bracket (item 1) using bolts M10x30 (item D), washers 10 mm (item K) (Fig. 13).

**\*Do not tighten yet.**

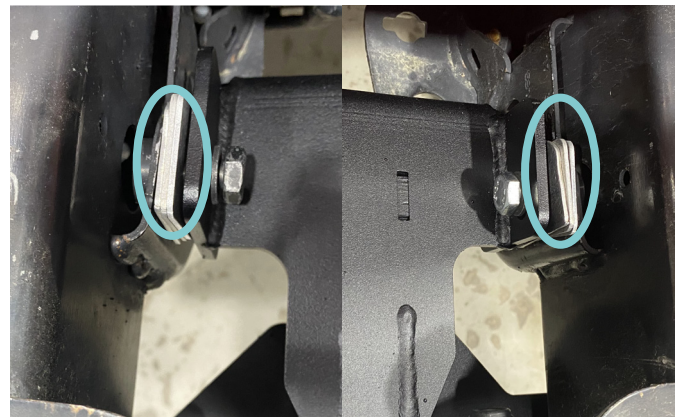


Fig. 14

14. In case of gap between winch bracket (item 1) and frame place adjustment plates (item 4) into this gap as shown in fig. 14.

**\*Tighten hardware after that.**

## Bumper installation with winch.



Fig. 15

15. Unscrew winch cover from steel bumper body (Fig. 15).

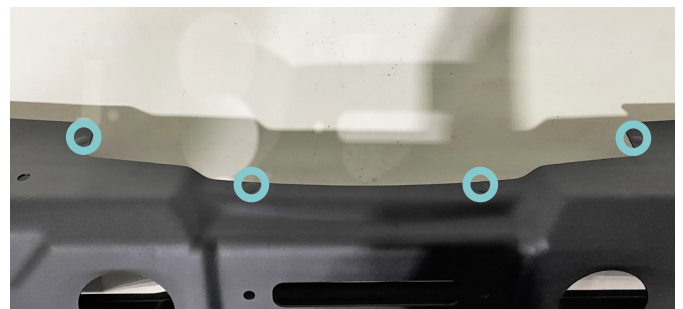


Fig. 16

16. Install plastic plug 16mm (item M) into steel bumper body (Fig. 16).

# INSTALLATION PROCEDURE



Fig. 17

17. Install fairlead right bracket (item 2) and fairlead left bracket (item 3) on winch bracket (item 3) (Fig. 17).

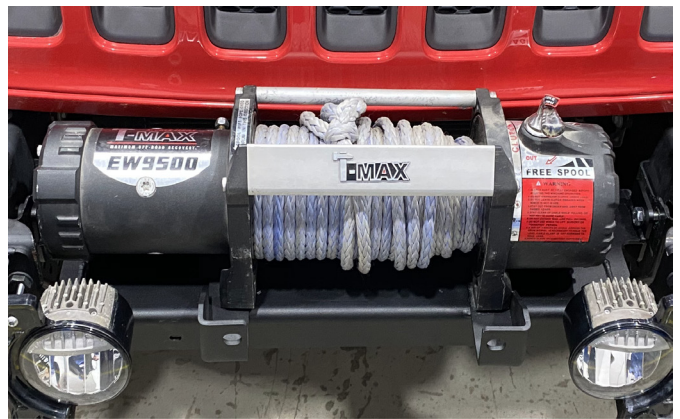


Fig. 18

18. Install winch on fairlead brackets (item 2 and 3), do not fix winch using hardware (Fig. 18).



Fig. 19

19. Cut angle on the edge of frame of the vehicle, if it's necessary. Paint all trimming points, using paint, undercoating or any other corrosion resistance coating (Fig. 19).



Fig. 20

20. Install winch on fairlead brackets (item 2 and 3), fix winch on winch bracket using hardware supplied with winch (Fig. 20).  
**\*Tighten hardware after that.**



Fig. 21

21. Install steel bumper body, using screws from step 1 (Fig. 21).  
**\*Tighten hardware after that.**



Fig. 22

22. Install fairlead. Fix it using two screws M10x50 (item F) and washers 10 mm (item K) (Fig. 22).  
**\*Tighten hardware after that.**  
**\*Fairlead is not included to bumper.**

# INSTALLATION PROCEDURE

**Before operating a vehicle fitted with RIVAL Bumper:**

- make sure all fittings are tightened
- check winch operation
- check all electrical wiring attached to lights



**Thank you for your choice!**

**Sincerely,  
RIVAL 4x4 Team**