

INSTALLATION MANUAL

PRODUCT: ALUMINUM REAR INNER FENDERS

MODEL: JEEP WRANGLER JL (2018 - ON)

PART NO: 2D.2732.1



CAUTION!

To reduce the risk of serious injury or damage, please read and understand all instructions and procedures before attempting to install or use this product.

Safety glasses must be worn at all times during installation or maintenance of this product.

Ensure all mounting bolts are tensioned after 600 miles (1000 kms) and periodically there after.

Do not use damaged product or hardware.

ALUMINUM REAR INNER FENDERS

Part number: 2D.2732.1

Suited to vehicle: JEEP WRANGLER JL (2018 - ON)

Material: Aluminum

Compatibility: 2D.2731.1 RIVAL ALUMINUM REAR
FENDERS FOR JEEP WRANGLER JL
(2018 - ON)



SAFETY NOTICE

- * The RIVAL Inner Fenders are designed to complement the use and design of the specified vehicle under conditions specified by the vehicle manufacturer.
- * While driving the vehicle at any speed, collision with any other vehicle, animal or object must always be avoided.
- * Following any collision with any other vehicle, animal or object, the RIVAL Inner Fenders and the vehicle must be inspected by a specialized or suitably qualified vehicle repairer for possible damage to the components and assemblies in order to confirm suitability for further use of the vehicle.
- * It is strongly recommended that you do not operate a vehicle with a damaged inner fenders or its components. In the case of damage, please contact the nearest RIVAL dealer. Vehicle, or where the inner fenders has been damaged, is extremely dangerous and must be avoided at all cost.
- * The operation of a vehicle where the inner fenders is not properly attached and fastened to the vehicle, or where the inner fenders has been damaged, is extremely dangerous and must be avoided at all cost.
- * It is recommended that you carry out regular inspections of all inner fenders elements such as all bolts, wires, connectors.

INSTALLATION NOTICE

- * The RIVAL Inner Fenders must be mounted and affixed to the vehicle according to this installation manual and the use of personal safety equipment is highly recommended.
- * Do not install this inner fenders on vehicle models other than those allowed in this manual.
- * Check state and local highway safety laws regarding permitted inner fenders types and heights.

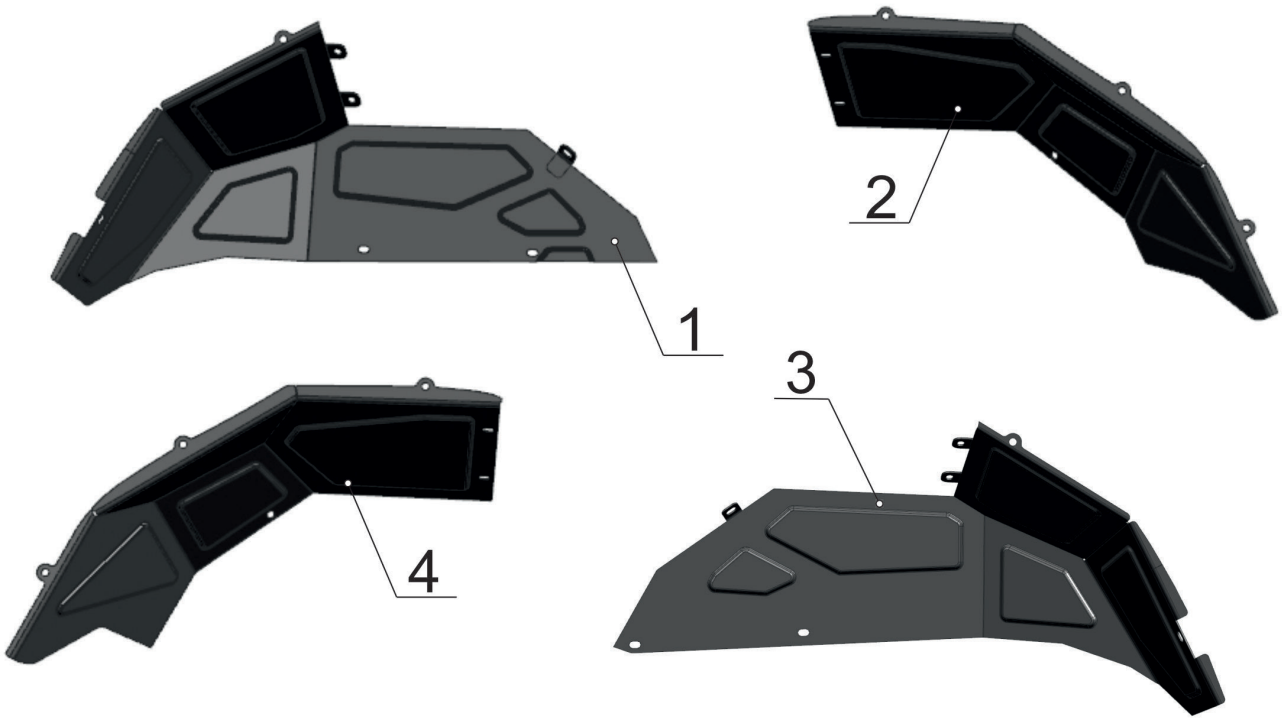
REQUIRED TOOLS

- * Basic tool kit
- * Torque wrench
- * Crosspoint and flat head screwdriver

TORQUE SETTING

- * M6 - 9 N·m

PARTS LISTING



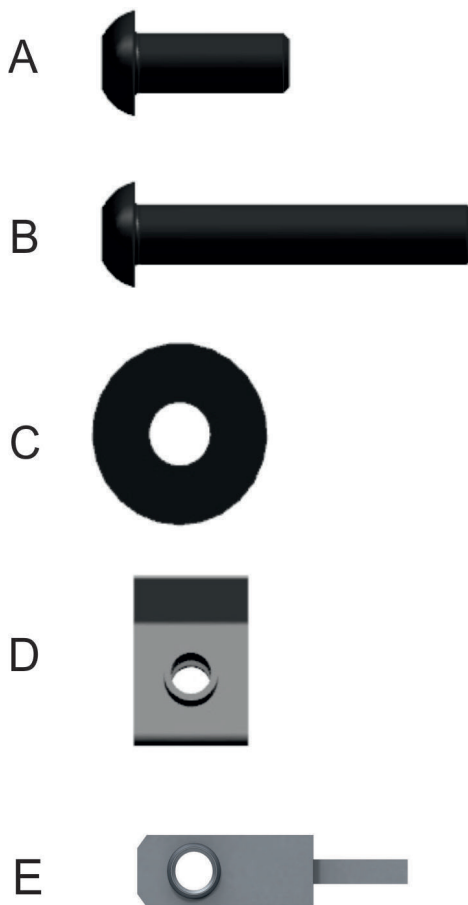
- 1. Front left part of inner fender (driver's side)..... Qty 1
- 2. Rear left part of inner fender (driver's side).....Qty 1
- 3. Front right part of inner fender (passenger's side).....Qty 1
- 4. Rear right part of inner fender (passenger's side).....Qty 1

PASSENGER'S SIDE



DRIVER'S SIDE

PARTS LISTING



A. Screw M6x20.....	Qty 18
B. Screw M6x35.....	Qty 8
C. Penny washer 6.....	Qty 20
D. U-nut M6.....	Qty 20
E. Insert nut M6 with wire.....	Qty 2

INSTALLATION PROCEDURE



Fig. 1

1. On passenger's side, remove 2 plastic push clips holding inner liners to OE fender (fig.1).

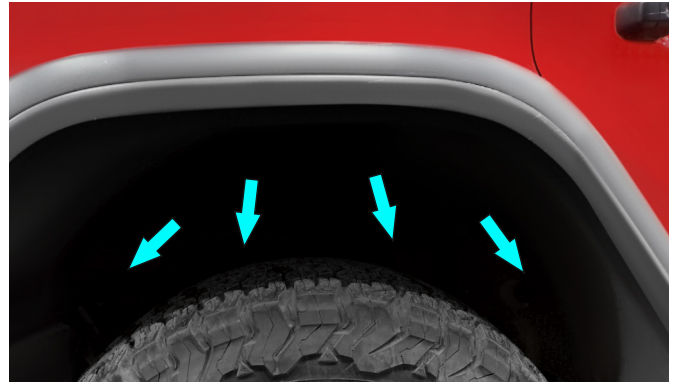


Fig. 2

2. Remove 2 plastic push clips holding inner liners to chassis (fig.2).



Fig. 3

3. Carefully remove OE fender by pulling fender (fig.3). **Repeat steps 1-3 for the driver's side.**

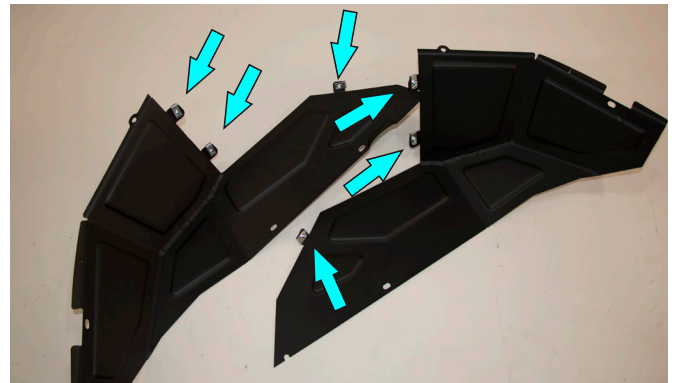


Fig. 4

4. Install U-nuts (item D) on front left part of inner fender (item 1) and front right part of inner fender (item 3) (fig. 4).

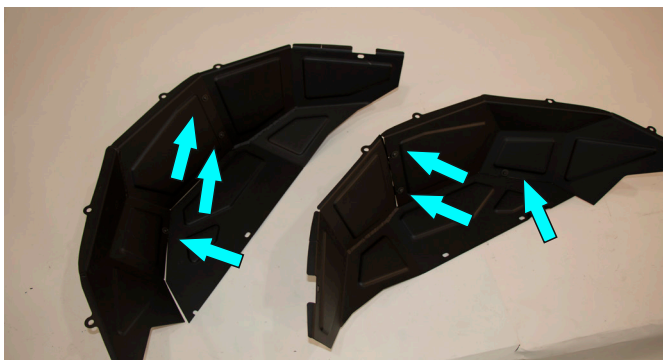


Fig. 5

5. Fix inner fenders parts together, front left part of inner fender (item 1) with rear left part of inner fender (item 2) for driver side and front right part of inner fender (item 3) with rear right part of inner fender (item 4) using screws M6 (item A) and washers 6 (item C) (fig. 5,6).

***Do not tighten yet.**

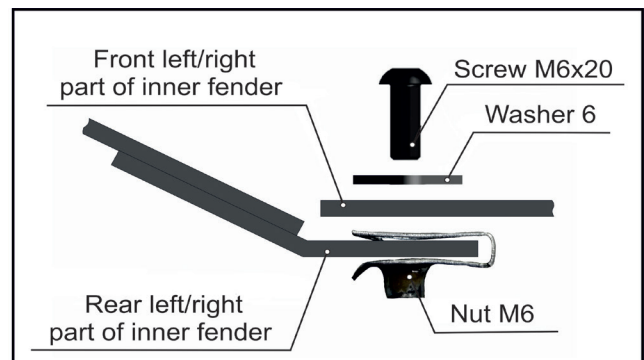


Fig. 6

INSTALLATION PROCEDURE

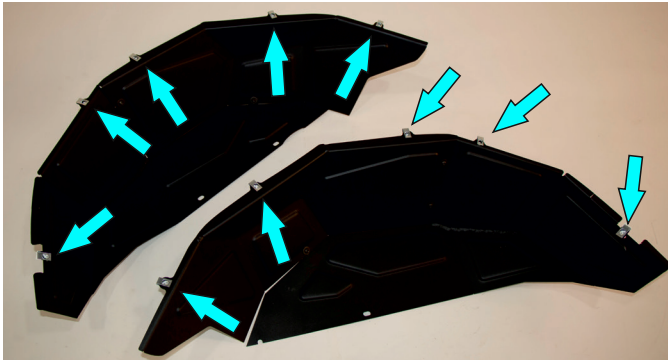


Fig. 7

6. Install U-nuts (item D) on inner fenders following fig. 7.

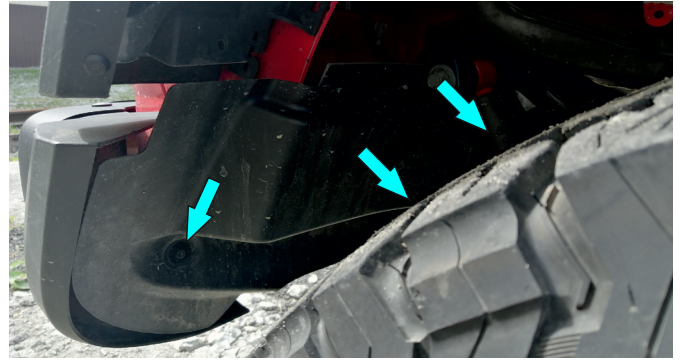


Fig. 8

7. Unscrew 3 OE screws and remove plastic dust cap (fig. 8).



Fig. 9

8. On passenger's side, install U-nuts (item D) on vehicle body following fig. 9.



Fig. 10

9. Install inner fender flares on the vehicle, fix it using 2 screws M6 (item A) and washers 6 (item C) (fig. 10,11) .

***Do not tighten yet.**

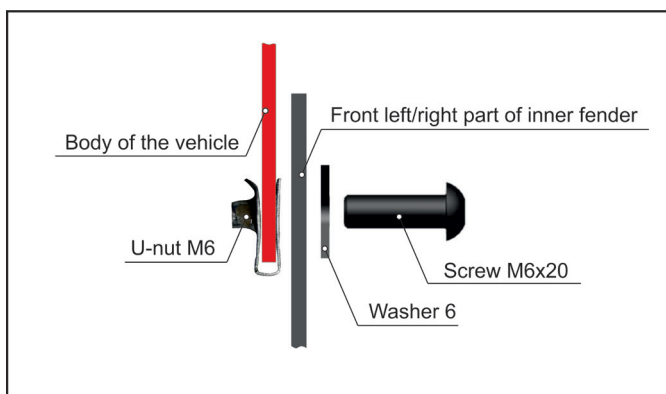


Fig. 11

INSTALLATION PROCEDURE

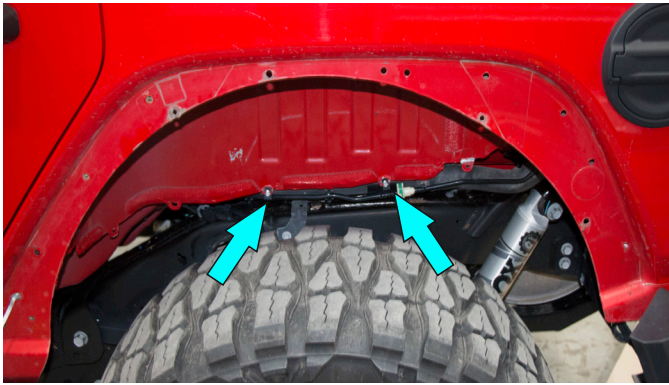


Fig. 12

10. On driver's side, install U-nuts (item D) on vehicle body for driver side following fig. 12.



Fig. 13

11. Install inner fender flares on the vehicle, fix it using 2 screws M6 (item A) and washers 6 (item C) (fig. 11,13).

***Do not tighten yet.**



Fig. 14

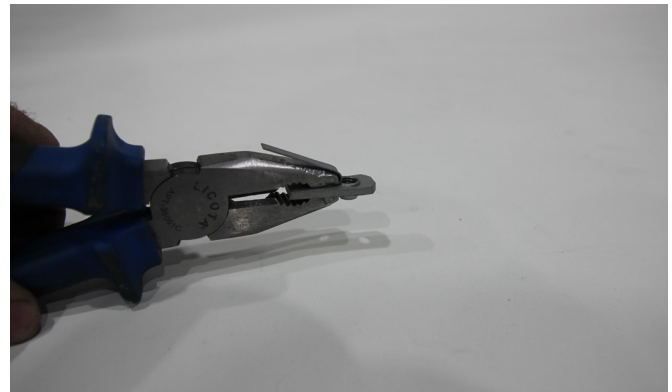


Fig. 15

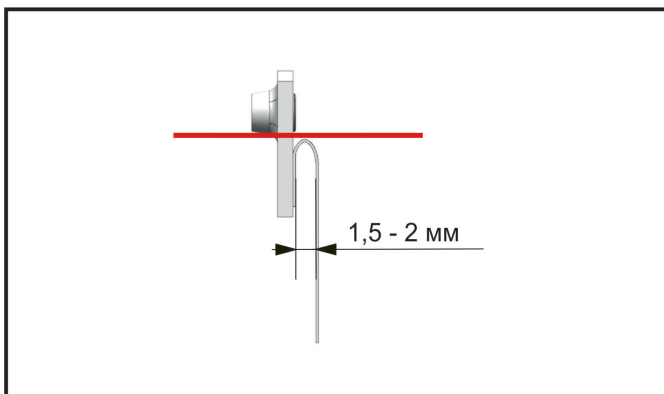


Fig. 16

12. Bend wire part of insert nut (item E) as shown (fig. 14 - 16).



Fig. 17

13. On passenger's side, install insert nut M6 with wire (fig.17).

Repeat steps 12-13 for the driver's side.

INSTALLATION PROCEDURE

RIVAL Aluminum Rear Inner Fenders installation with Rival Aluminum Fender Flares 2D.2731.1 To install RIVAL Aluminum Rear Inner Fenders with OE Fender Flares follow steps 18-25



Fig. 18

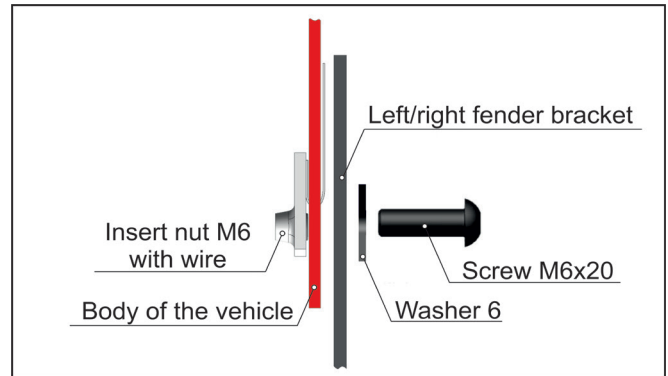


Fig. 19

14. On passenger's side, install Fender brackets, fix it using insert nut (check step 12) using RIVAL Aluminum Fender Flares installation manual (step 7) and fitting kit 2D.2731.1 (fig. 18,19).

***Do not tighten yet.**



Fig. 20

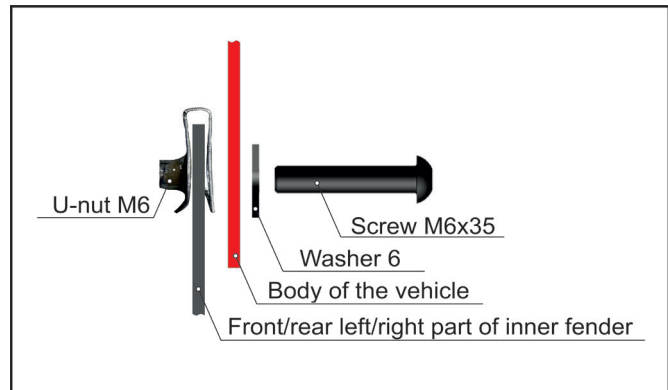


Fig. 21

15. Fix Fender bracket to Inner fender trough vehicle body, using screws M6 (item B) and washers 6 (item C) (fig. 20,21). **Do not tighten yet.**



Fig. 22

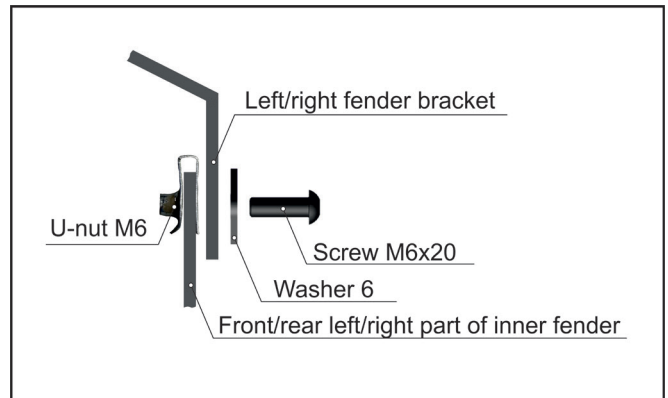


Fig. 23

16. Fix fender bracket to inner fender using screw M6 (item A) and washer 6 (item C) (fig. 22,23).

***Tighten hardware from step 9!**

INSTALLATION PROCEDURE



Fig. 24



Fig. 25



Fig. 26

17. Install Fenders on Fender brackets using RIVAL Aluminum Fender Flares installation manual (steps 8 - 10) and fitting kit 2D.2731.1 (fig. 24 - 26). ***Tighten hardware after that.**

Repeat steps 14-17 for the driver's side

RIVAL Aluminum Rear Inner Fenders installation with OE Fender Flares



Fig. 27



Fig. 28

18. On passenger's side, dispart OE Inner Fender and OE fender by unscrewing 1 screw and 7 plastic push clips (fig. 27).

19. Mark OE inner fender flare and cut it following lines on fig. 28.

INSTALLATION PROCEDURE



Fig. 29

20. Remove plastic plugs marked on fig. 29.



Fig. 30

21. Install OE inner fender flare on the OE Fender flare (fig. 30).



Fig. 31

22. Fix inner fender to vehicle body using screw M6 (item A) and washers 6 (item C) (fig. 31,32).
***Tighten hardware after that.**



Fig. 32



Fig. 33

23. Fix OE Fender to vehicle body, using plastic plugs (fig.33).

INSTALLATION PROCEDURE



Fig. 34

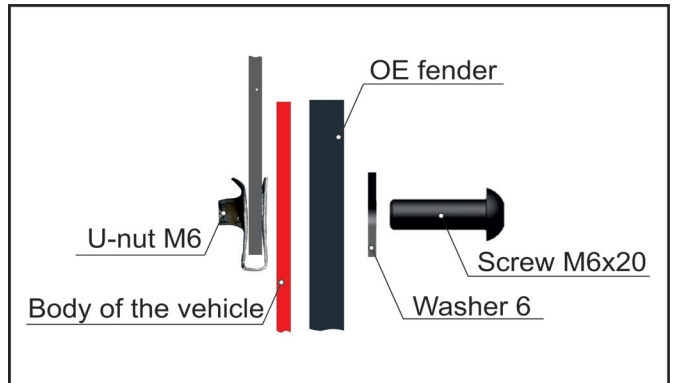


Fig. 35

24. Fix OE Fender to RIVAL inner Fender through vehicle body using screw M6 (item A) and washer 6 (item C) (fig. 34,35).



Fig. 36

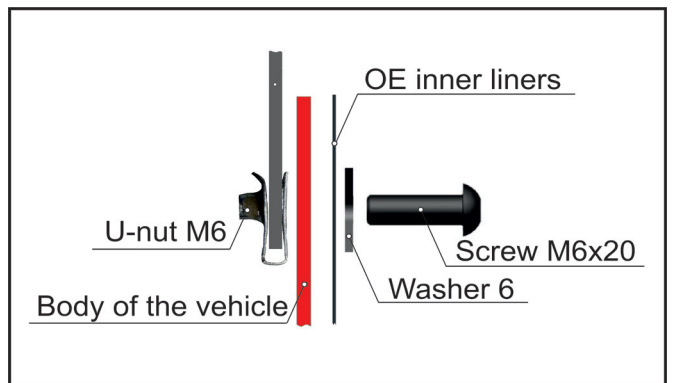


Fig. 37

25. Fix OE Inner Fender to RIVAL Inner Fender through vehicle body using screws M6 (item A) and washers 6 (item C) (fig. 36,37).

Repeat steps 18 - 25 for the other side of the vehicle

INSTALLATION PROCEDURE

Before operating a vehicle fitted with RIVAL Aluminum Inner Fenders 2D.2732.1 make sure all fittings are tightened.

