

INSTALLATION MANUAL

PRODUCT: FRONT BUMPER
MODEL: TOYOTA HILUX (2018-)
PART NO: 2D.5716.1



CAUTION!

To reduce the risk of serious injury or damage, please read and understand all instructions and procedures before attempting to install or use this product.
Safety glasses must be worn at all times during installation or maintenance of this product.
Ensure all mounting bolts are tensioned after 1000 kms and periodically there after.

NOTICE

Whilst the bumper adds additional protection to your vehicle, precautionary measures still need to be taken to avoid damage.
Always drive to the conditions and your surroundings.

ADR69 COMPATIBLE
AIR BAG COMPLIANT

FRONT BUMPER TOYOTA HILUX REVO

Part Number: 2D.5716.1
Suited to vehicle: Toyota Hilux 2018-

Material: aluminum/steel
Dimensions: 1950x750x560 mm
Weight: 42 kg

Compatibility: Rival 333.5710.1 Underbody Armor



SAFETY NOTICE

- * The RIVAL Bumper is designed to compliment the use and design of the specified vehicle under conditions specified by the car manufacturer.
- * While driving the vehicle at any speed, collision with any other vehicle, animal or object must always be avoided.
- * Following any collision with any other vehicle, animal or object, the RIVAL Bumper and the vehicle must be inspected by a specialized or suitably qualified vehicle repairer for possible damage to the components and assemblies in order to confirm suitability for further use of the vehicle.
- * It is strongly recommended that you do not operate a vehicle with a damaged bumper or its components. In the case of damage, please contact the nearest RIVAL dealer.
- * The operation of a vehicle where the bumper is not properly attached and fastened to the vehicle, or where the bumper has been damaged, is extremely dangerous and must be avoided at all cost.
- * It is recommended that you carry out regular inspections of all the bumper elements such as all bolts, wires, connectors.

INSTALLATION NOTICE

- * The RIVAL Bumper must be mounted and affixed to the vehicle according to this installation manual.
- * Personal safety during the installation process must be adhered to at all times and the use of personal safety equipment is highly recommended.

REQUIRED TOOLS

- * Basic tool kit
- * Electric drill
- * Angle grinder
- * Drill set
- * Torque wrench
- * Box knife
- * Marker

TORQUE SETTING

- * M6 9Nm
- * M10 44Nm

*ADR69 AND AIR BAG SYSTEM

The RIVAL Bumper has been tested and certified to be compatible with ADR69 and will not affect the operation of the Air bag System on this vehicle.

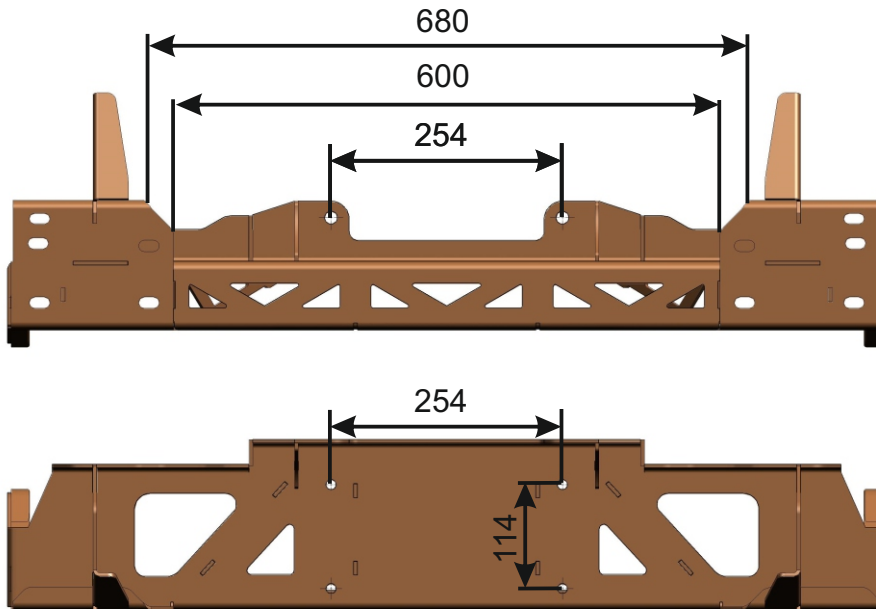
This product or mounting brackets must not be modified in any way, and must be fitted in accordance with the installation instructions.

* M6 - 9 H·M, * M10 - 44 H·M, * M12 - 77 H·M.

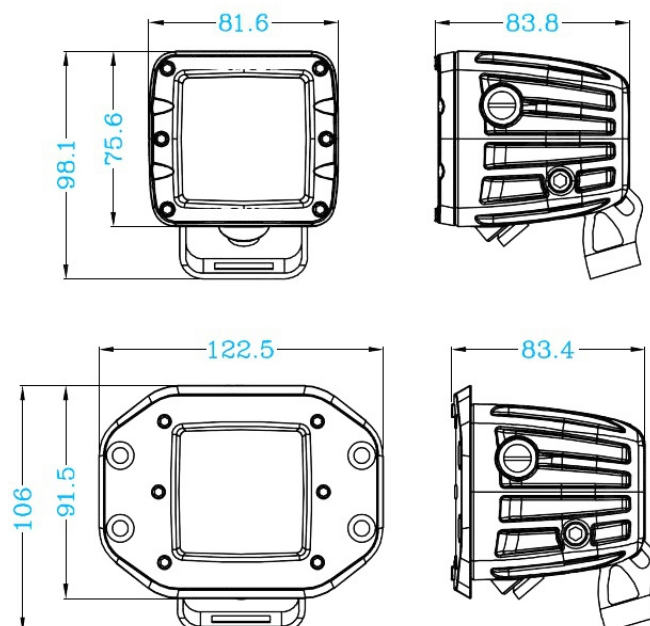
*WINCH INSTALLATION

A winch with a pull capacity of up to 9500 lb can be installed with the RIVAL Bumper. It is not advisable to exceed this pulling capacity since damage, injury or death may occur where the 9500lb recommended capacity is exceeded.

Winch measurements:

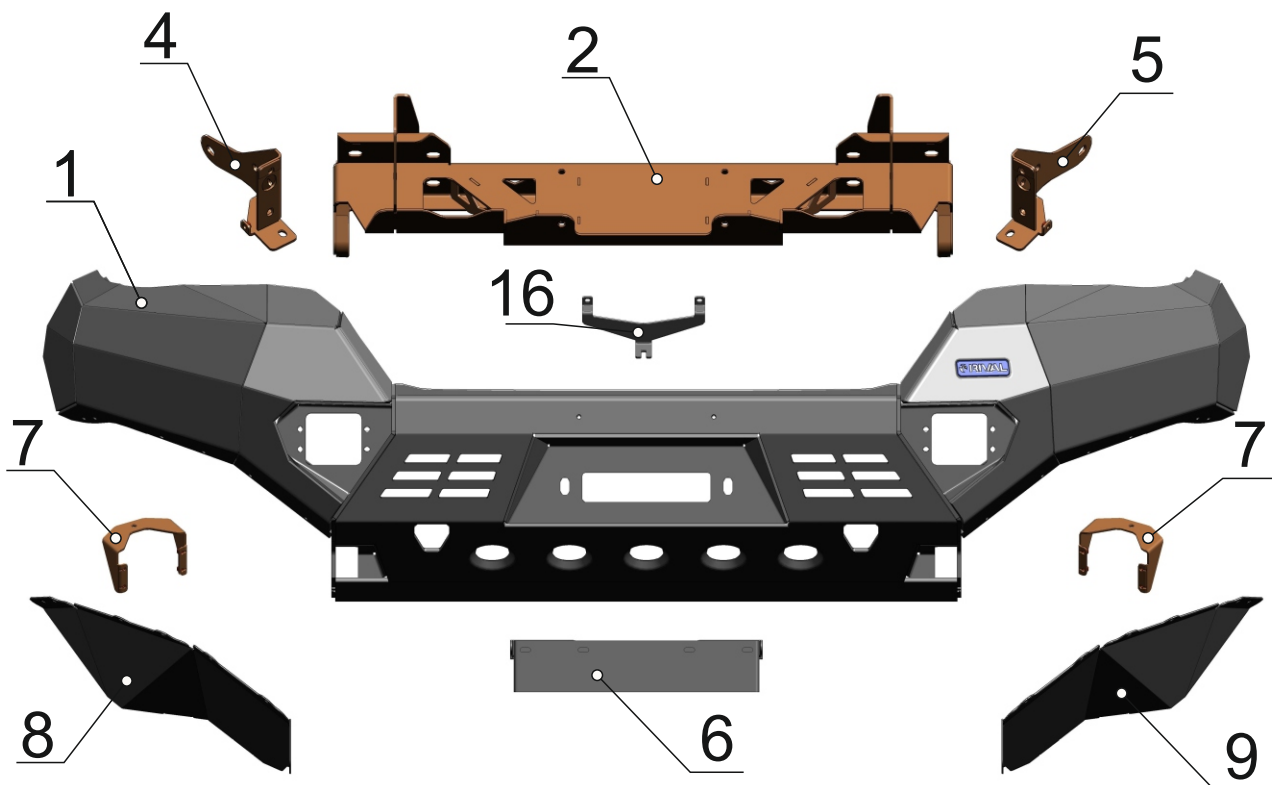


Compatible with LED size below:

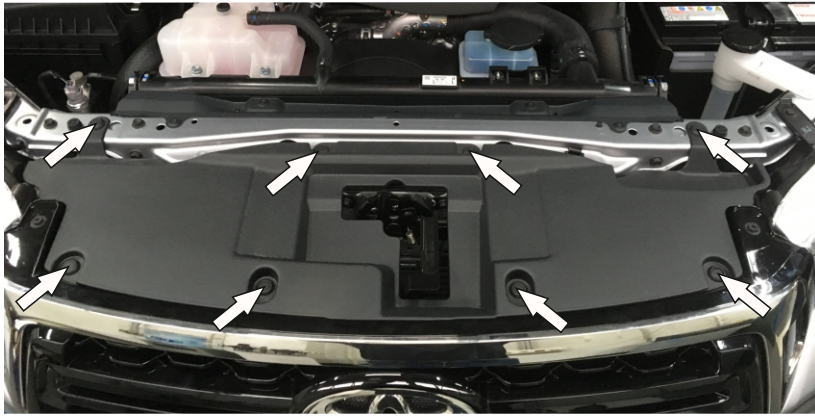


PARTS LISTING

| | | | |
|----------------------------------------------|-------|------------------------------------------|--------|
| 1. Aluminum bumper body..... | 1 pc. | 17. Bolt M10x25..... | 4 pc. |
| 2. Winch bracket..... | 1 pc. | 18. Bolt M10x30..... | 8 pc. |
| 3. Lamp plug(depending on the delivery)..... | 2 pc. | 19. Bolt M12x25x1,25..... | 2 pc. |
| 4. Support bracket right..... | 1 pc. | 20. Bolt M12x30..... | 4 pc. |
| 5. Support bracket left..... | 1 pc. | 21. Screw M6x16..... | 10 pc. |
| 6. License plate..... | 1 pc. | 22. Screw M6x20..... | 20 pc. |
| 7. LED brackets..... | 2 pc. | 23. Screw M10x30 countersunk-head..... | 2 pc. |
| 8. Flap right..... | 1 pc. | 24. Square nut M6..... | 16 pc. |
| 9. Flap left..... | 1 pc. | 25. Nut M6..... | 2 pc. |
| 10. Expansion sleeve in frame..... | 2 pc. | 26. Nut M10..... | 12 pc. |
| 11. Expansion sleeve M10..... | 2 pc. | 27. Washer M6x12..... | 26 pc. |
| 12. Adjusting shim 2 mm..... | 6 pc. | 28. Washer M6x18..... | 6 pc. |
| 13. Adjusting shim 4 mm..... | 6 pc. | 29. Washer M10x20..... | 20 pc. |
| 14. Washer bottle plug..... | 1 pc. | 30. Washer M10x30..... | 4 pc. |
| 15. Countersunk washer..... | 2 pc. | 31. Washer M12x24..... | 6 pc. |
| 16. Radiator grill bracket..... | 1 pc. | 32. LED (depending on the delivery)..... | 2 pc. |
| | | 33. Plastic clamp..... | 10 pc. |



INSTALLATION PROCEDURE



1. Open the hood and remove the plastic patch piece. To do it, remove pop rivets. Keep the fasteners for future mountings.



2. Screw out the screws which fix the radiator grill. Dismount the radiator grill by bending off plastic fixtures in the point of joint thereof with the bumper.



3. Screw out the screws which fix the bumper in the upper part, and remove the pop rivets.



4. Screw out the screws which fix the bumper in the lower part.

INSTALLATION PROCEDURE



5. Remove the pop rivets under the wheel arch (3 rivets from each side).

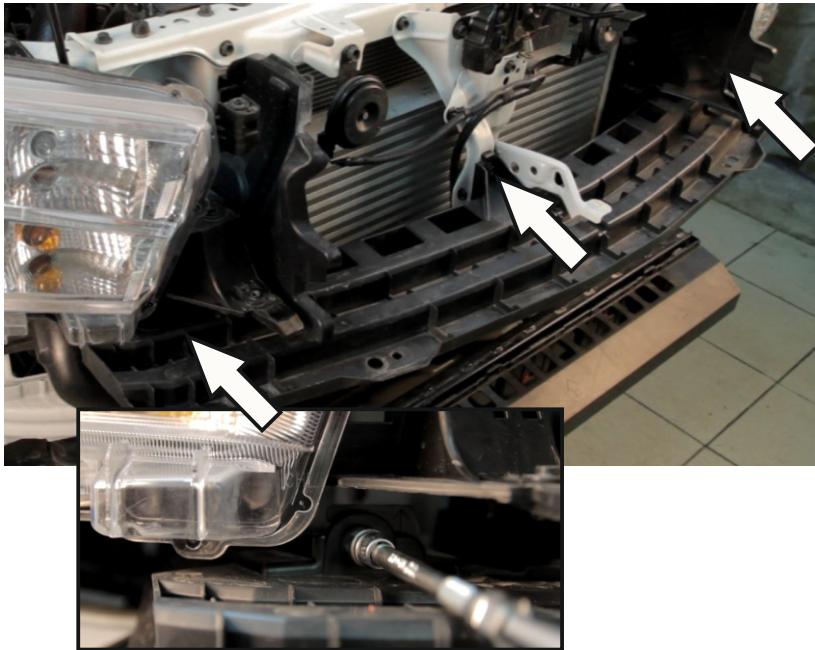


6. Remove the bumper. To do it, pull the bumper edge towards you and snap off latches. Move gradually from the wheel arch to the centre of the car.

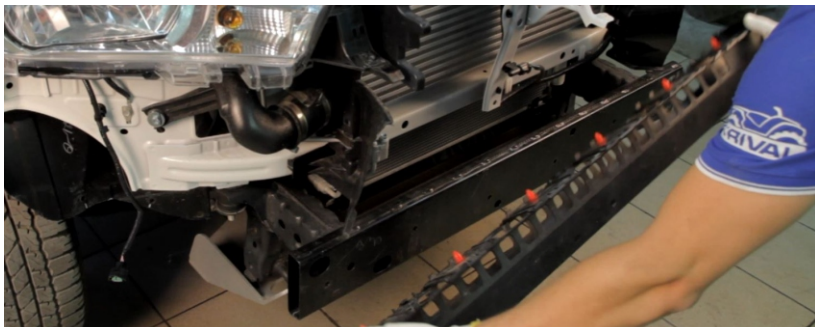


7. Detach the hose of lamps washer from the pump. Disconnect lamps connectors.

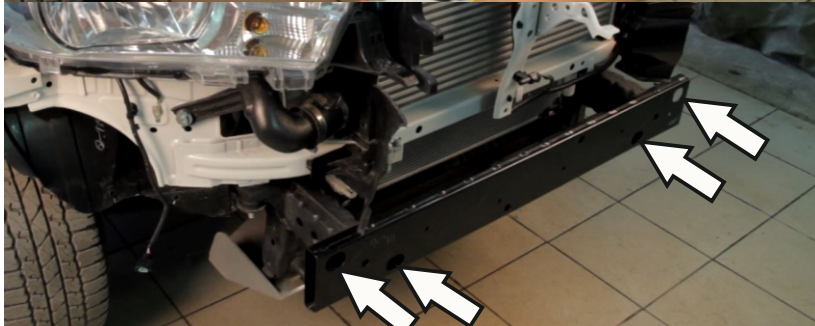
INSTALLATION PROCEDURE



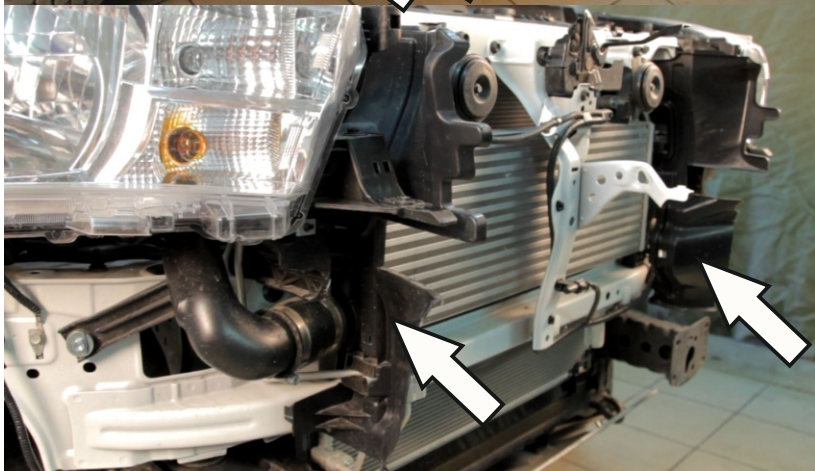
8. Screw out three bolts and dismount the plastic deflector.



9. Dismount the plastic damper. To do it, pull it toward yourself.



10. Screw out 4 bolts and dismount the safety bar. Keep the bolts for future mountings.



11. Dismount lateral plastic deflectors.

INSTALLATION PROCEDURE



12. Remove pop rivets and screw out bolt M6. Dismount plastic fasteners of the bumper on splashboards on the left and right.

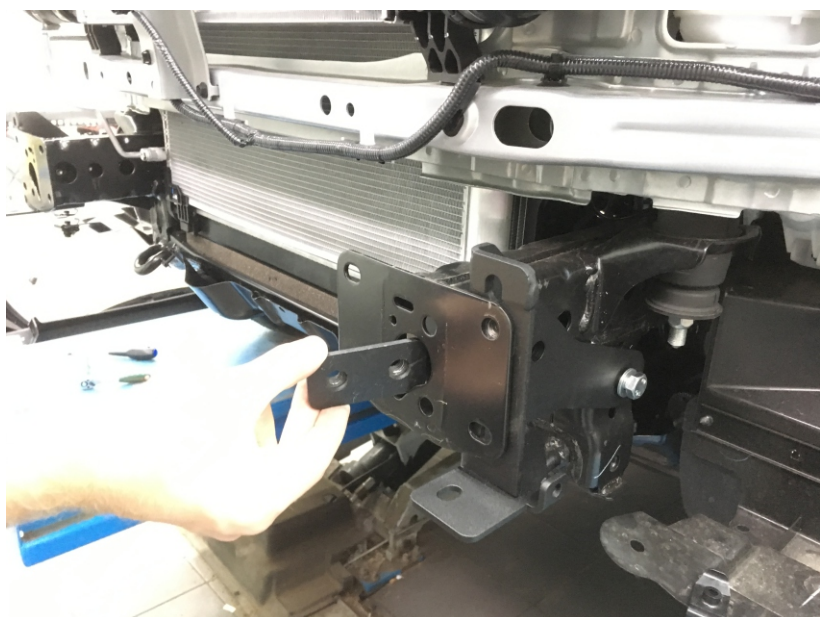


13. Re-screw standard bolts M6 in order to fasten lamps on the left and right.



14. Detach the pump from the washer bottle. Install a plug instead of it (pos. 18).

INSTALLATION PROCEDURE



15. Install the frame booster (pos. 4). To do it, screw in the bolt M12x25x1.25 (pos. 19) with washer (pos. 31) in the factory hole; insert the insert sleeve (pos. 10) into the frame; fasten with bolts M12x30 (pos. 20) and washer (pos. 31).

Do not draw out threaded connections.

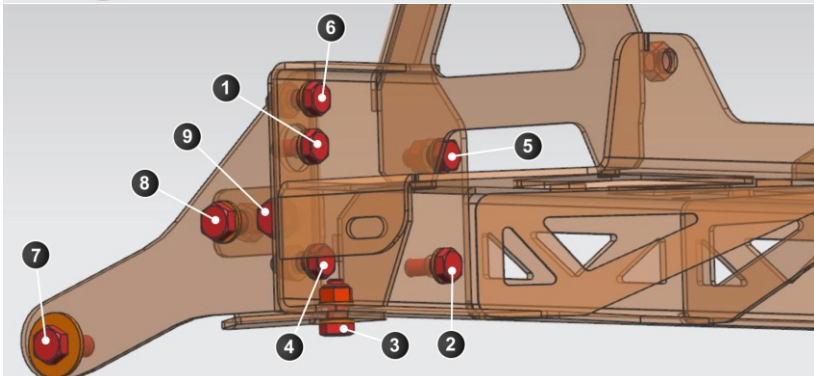
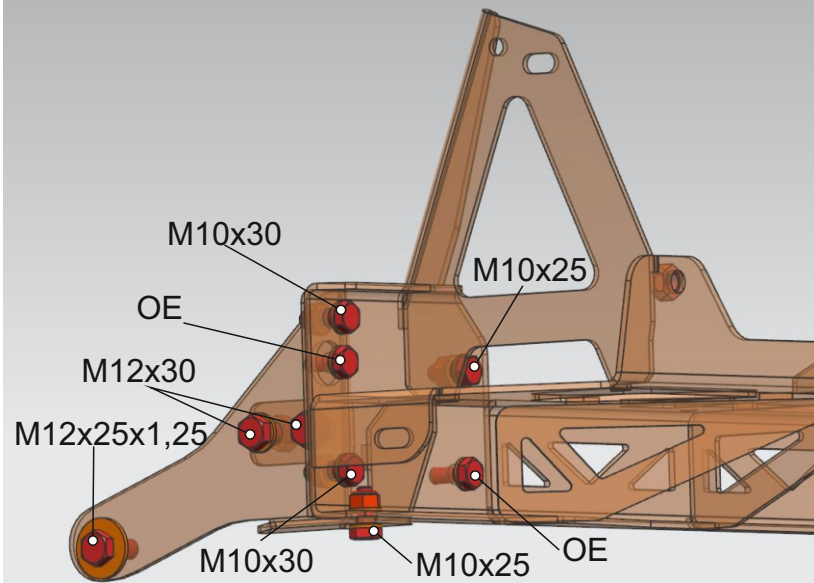
Install the frame booster (pos. 4) in the other side in the same way.



INSTALLATION PROCEDURE



16. Install the winch bracket (pos. 2). Fasten with bolts M10x30 (pos. 18), M10x25 (pos. 17), washers (pos. 29) and nuts 10 (pos. 26). Align the winch pad in vertical and horizontal planes.



17. Draw out bolts in the specified order, alternately from left and right.



18. Install insert sleeves M10 (pos. 11) into the winch bracket.

INSTALLATION PROCEDURE



19. Install the bumper facing on the car.



20. Insert bolts M10x30 (pos. 18) with penny washers (pos. 30) in upper holes inside the bumper in specified places.

Fasten the bolts with nuts M10 (pos. 26) with penny washers (pos. 30).

Do not draw out threaded connections.

INSTALLATION PROCEDURE



21. Insert screws M10x30 (pos. 23) with countersunk washers (pos. 15) in specified places on the left and right. Fasten to insert sleeves M10 (pos. 11). Do not draw out threaded connections.



22. Align the bumper facing for achieving a uniform gap between the facing and parts of the car. The gap between the splashboard and facing shall be 18 mm at least. Gap between lamps and rubber seal shall be allowed. Draw out threaded connections. After that, **once again check that components have been installed symmetrically**. When necessary, adjust the position in transverse direction – go back to item 16 of this instruction.

INSTALLATION PROCEDURE



23. On place, drill holes 10 mm in diameter inside the bumper facing, in the specified place on the left and right. Through the drilled hole, tie up the bumper facing and winch pad by bolts M10x30 (pos. 18), nuts M10 (pos. 26), washers (pos. 29).
Draw out threaded connections.



24. * Install lamps in brackets (pos.7). Align the lamps in relation to the bracket in vertical and horizontal plane. Draw out connections.

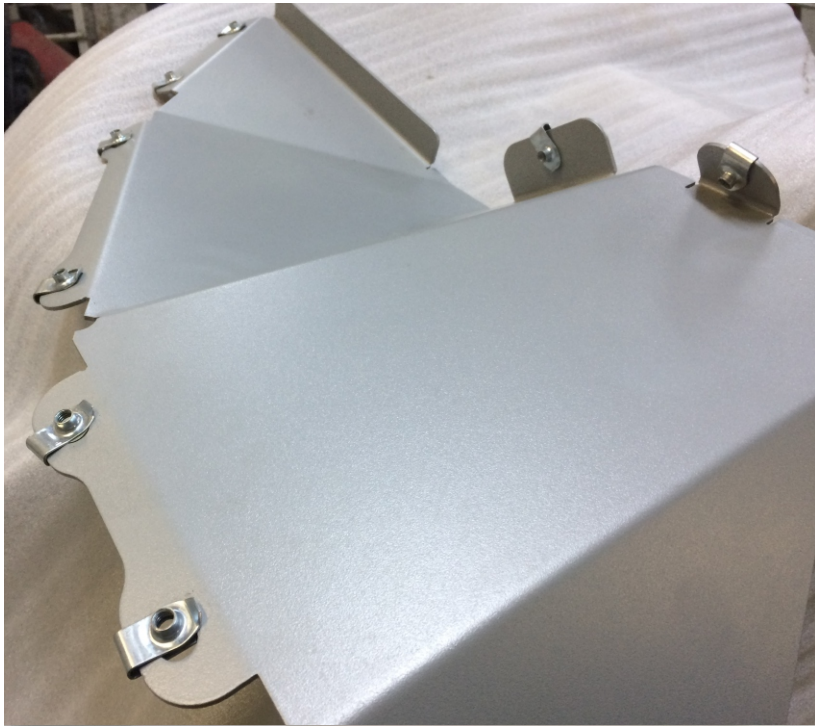
*For the delivery set with lamps.



25. * Install lamps jointly with brackets into the bumper facing using screws M6x16 (pos. 21) and washers (pos. 27). Perform final adjustment of the position of the lamp.

*For the delivery set with lamps.

INSTALLATION PROCEDURE



26. Install nuts (pos. 24) on aprons (pos. 8 and 9).



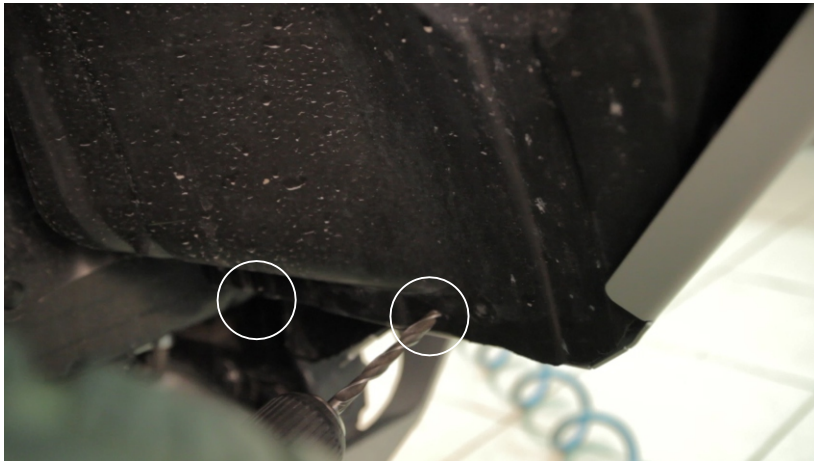
27. Install aprons on the car using screws M6x20 (pos. 22) and washers (pos. 27). In the lower part, fasten aprons with screws M6x20 and washers (pos. 28). The apron shall come into the bumper with overlapping.



28. Press aprons on plastic wing flaps, draw the cutting line with a marker and cut off the plastic wing flap.

*It is preferable to cut the plastic wing flap with aprons removed.

INSTALLATION PROCEDURE



29. From the inner side of the arch, mark two holes in plastic wing flaps opposite to holes in aprons. Drill hole dia. 6 – 8 mm. Through the obtained holes, fasten aprons with screws M6x20 (pos. 22) with penny washers (pos. 28).



30. Install license plate(pos.6) into the bumper fascia, using screws M6x16(pos.21), nuts M6(pos.25) and washers(pos.27).



31. Install the radiator grill on the car using the standard fasteners.



32. Install the plastic patch piece using standard pop rivets. To use the winch, we advice you to cut part of the plastic panel.

INSTALLATION PROCEDURE

Before operating a vehicle fitted with a RIVAL Bumper:

- Make sure all fittings are tightened;***
- Check operation of the winch;***
- Check all electrical wiring attached to lights.***

