

INSTALLATION MANUAL

PRODUCT: **CONCEALED WINCH MOUNTING BRACKET**
MODEL: **FORD RANGER (2015-)**
PART NO: **2L.1801.1**



CAUTION!

To reduce the risk of serious injury or damage, please read and understand all instructions and procedures before attempting to install or use this product.
Safety glasses must be worn at all times during installation or maintenance of this product.
Ensure all mounting bolts are tensioned after 1000 kms and periodically there after.

CONCEALED WINCH MOUNTING BRACKET

Part Number: 2L.1801.1
Suited to vehicle: Ford Ranger 2015-

Material: Steel 6 mm
Dimensions: 960x205x185 mm
Weight: 14,5 kg



SAFETY NOTICE

- * The RIVAL concealed winch mounting bracket is designed to compliment the use and design of the specified vehicle under conditions specified by the car manufacturer.
- * While driving the vehicle at any speed, collision with any other vehicle, animal or object must always be avoided.
- * The operation of a vehicle where the bracket is not properly attached and fastened to the vehicle, or where it has been damaged, must be avoided at all cost.
- * It is recommended that you carry out regular inspections of all the bracket fittings.
- * Do not install any winch with a higher pulling capacity than winch is specified in the manual.

INSTALLATION NOTICE

- * The RIVAL concealed winch mounting bracket must be mounted and affixed to the vehicle according to the installation manual provided by an authorized RIVAL dealer or Motor dealer or by a special vehicle repairer or fitment center.
- * Personal safety during the installation process must be adhered to at all times and the use of personal safety equipment is highly recommended.

REQUIRED TOOLS

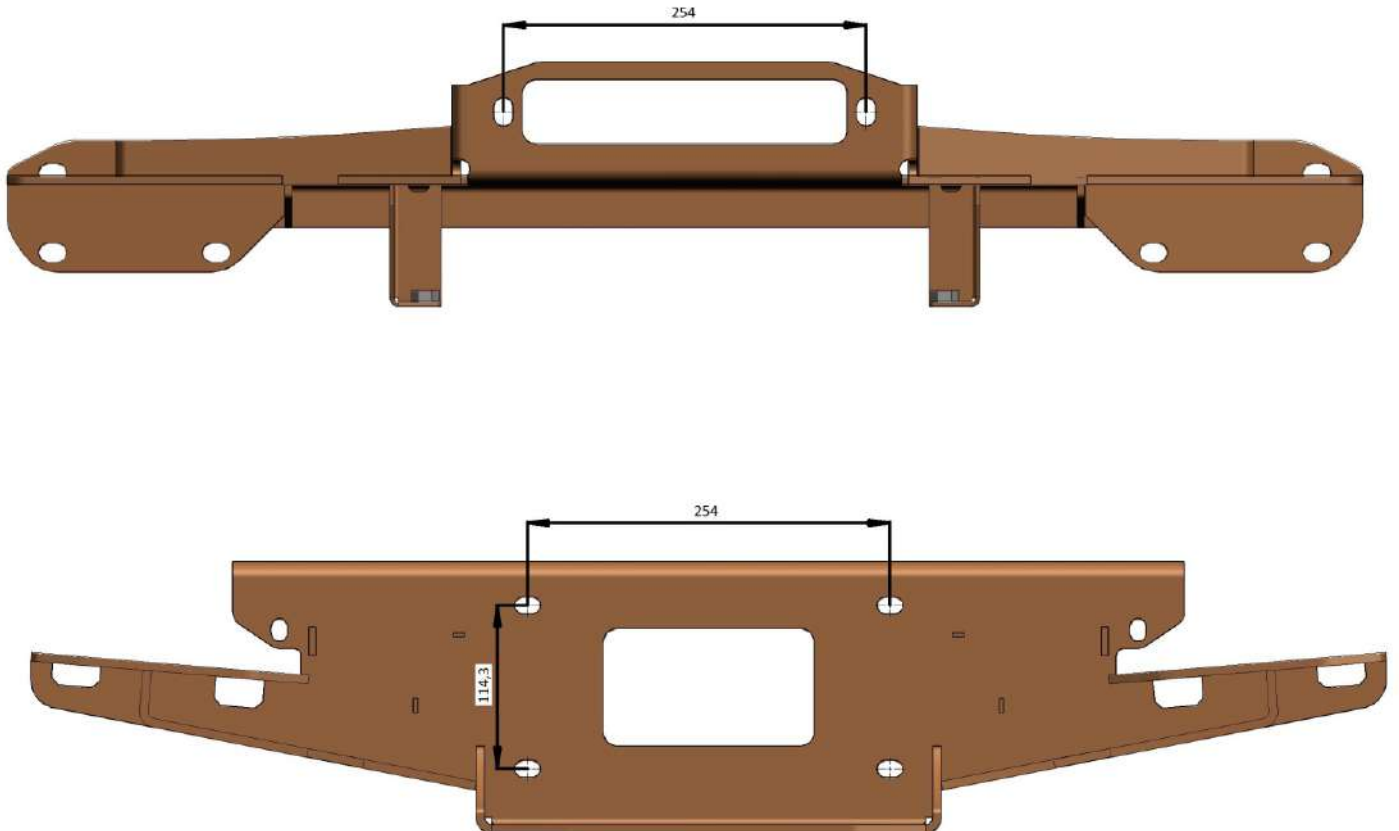
- * Basic tool kit
- * Marker
- * Knife

TORQUE SETTINGS

* M10 44 Nm

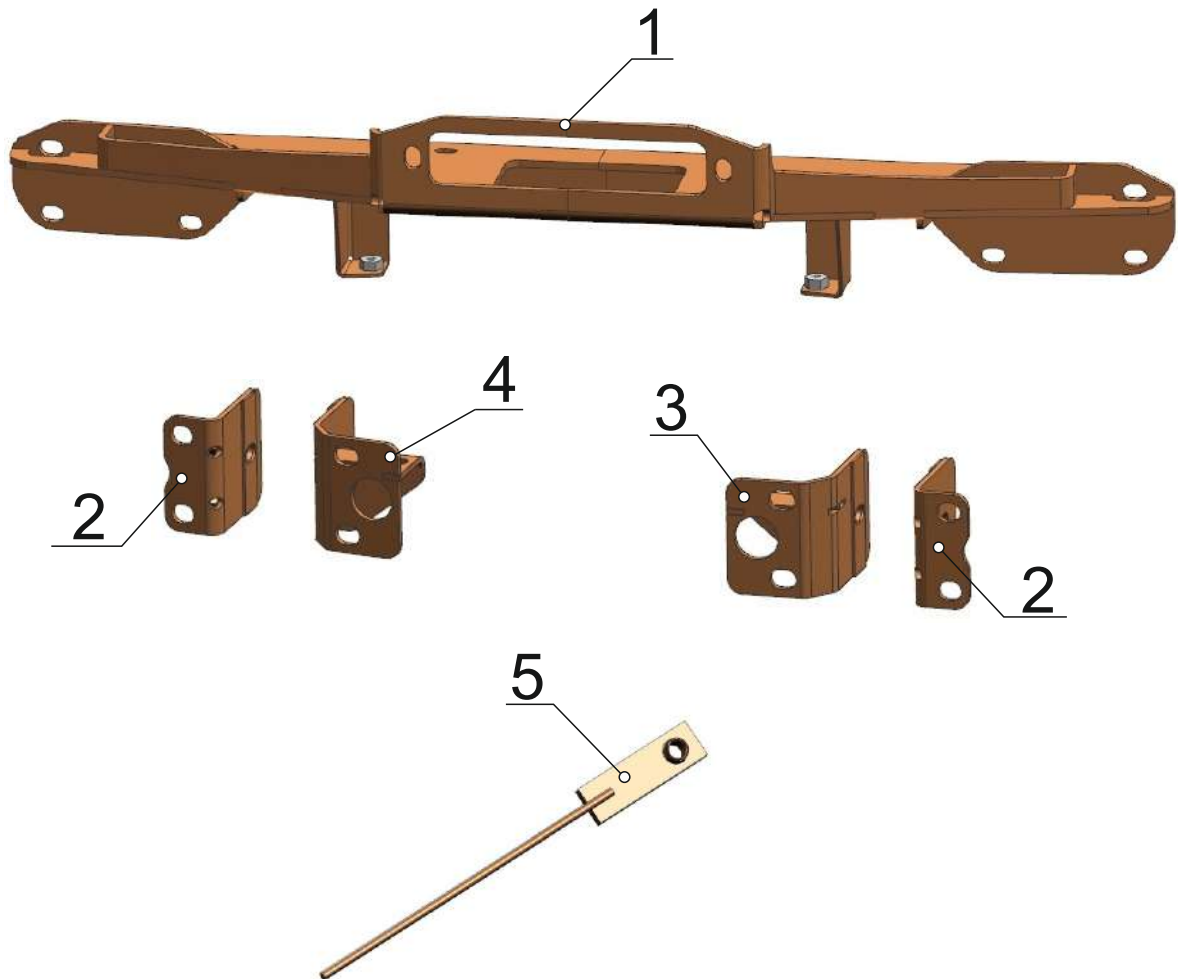
WINCH INSTALLATION

A winch with a pull capacity of up to 11000lb (4989 kg) can be installed with the RIVAL concealed winch mounting bracket. It is not advisable to exceed this pulling capacity since damage, injury or death may occur where the 11000lb recommended capacity is exceeded.



PARTS LISTING

1. Winch bracket.....	1 pc.
2. Outer bracket.....	2 pc.
3. Left inner bracket.....	1 pc.
4. Left right bracket.....	1 pc.
5. Insert nut M10.....	4 pc.
6. Bolt M10x30.....	14 pc.
7. Nut M10.....	10 pc.
8. Washer10.....	24 pc.



INSTALLATION PROCEDURE



1. Open the bonnet.
2. Disconnect the negative battery terminal cable.



3. Remove 4 screws from inside of the fenders on each side of the vehicle.

*** Keep all the fitting elements with you for further installation**



4. Remove 4 screws out of lower lip of the bumper.

*** Keep all the fitting elements with you for further installation.**

INSTALLATION PROCEDURE



5. Remove 4 screws out of radiator grill.

*** Keep all the fitting elements with you for further installation.**



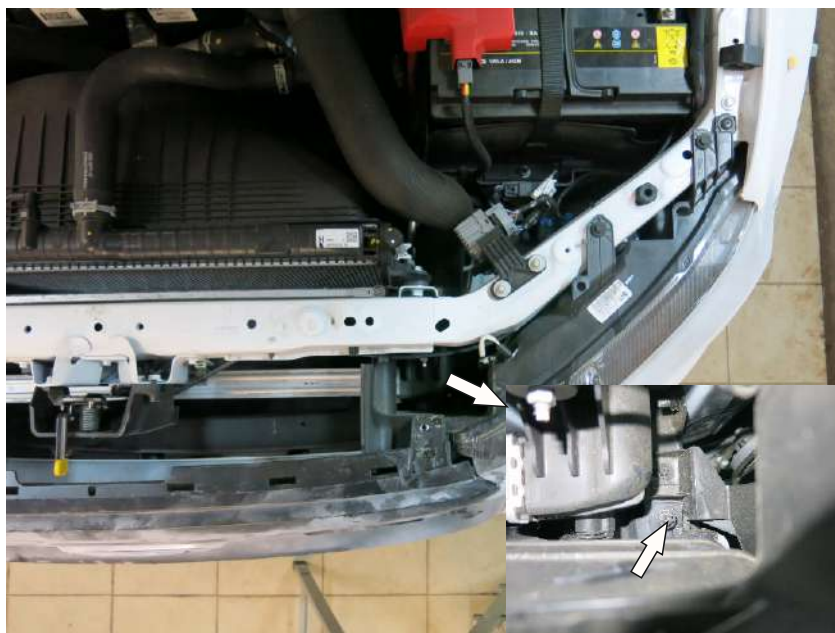
6. Remove upper panel.



7. Remove 2 screws out of radiator grill.

*** Keep all the fitting elements with you for further installation.**

INSTALLATION PROCEDURE



8. Remove 2 screws out of radiator grill.
Remove radiator grill.

**** Keep all the fitting elements with you for further installation.***



9. Remove plastic plugs out of bumper.

**** Keep all the fitting elements with you for further installation.***



10. Deinstall the bumper. Pull the bumper towards you holding the sides.

INSTALLATION PROCEDURE



11. Remove the plugs out of the panel.
Remove the panel.

**** Keep all the fitting elements with you for further installation.***



12. Remove 2 bolts out of skid plate.

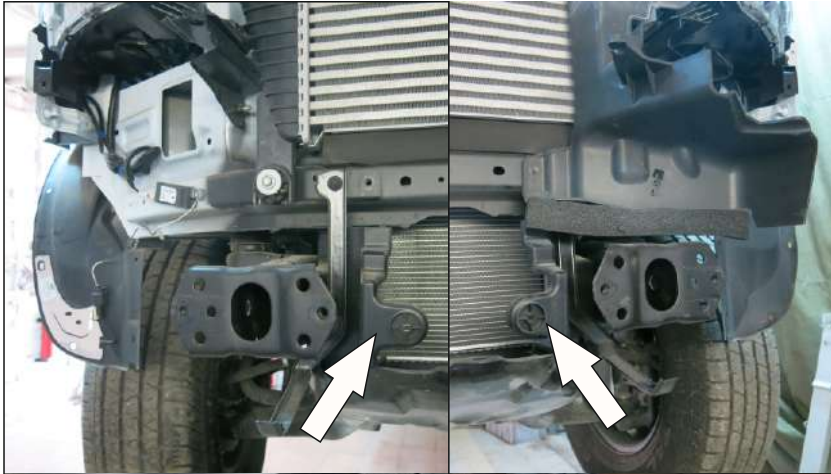
**** Keep all the fitting elements with you for further installation.***



13. Remove 4 bolts out of front bar.
Remove the bar.

**** Keep all the fitting elements with you for further installation.***

INSTALLATION PROCEDURE



14. Remove plastic dusters from left and right sides of the vehicle.



15. Insert nuts (5) into the underframe.



16. Mount inner left bracket (3) to the left side chassis. Fix it with bolts M10x30 (6), washers 8 to insert nuts (5).
Mount bracket (4) same way on another side.

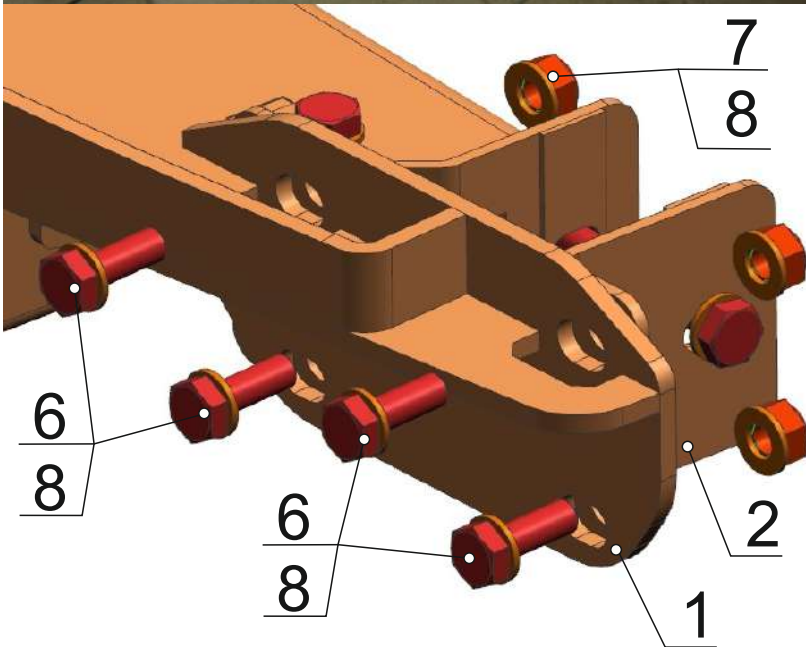
DO NOT TIGHTEN YET.

INSTALLATION PROCEDURE



17. From outside of the chassis, mount outer bracket (2) from both left and right side. Fix them with bolts M10x30 (6), washers (8) to insert nuts (5).

DO NOT TIGHTEN YET.



18. Mount winch bracket (1) to the chassis. Fix it to brackets (2, 3, 4) by bolts M10x30 (6), nuts M10 (7) and washers (8).

Tighten all nuts and bolts.



INSTALLATION PROCEDURE



19. Mark area for winch fairlead (not supplied with RIVAL bracket).

Cut as marked.



20. Mount the winch and fairlead to the bracket using the bolts supplied with the fairlead.



21. Install front bumper and the grill to the vehicle.

INSTALLATION PROCEDURE

Before operating a vehicle fitted with a RIVAL concealed winch mounting bracket:

- make sure all fittings are tightened
- connect the battery wiring which was previously disconnected
- check all electrical wiring
- check winch operation

