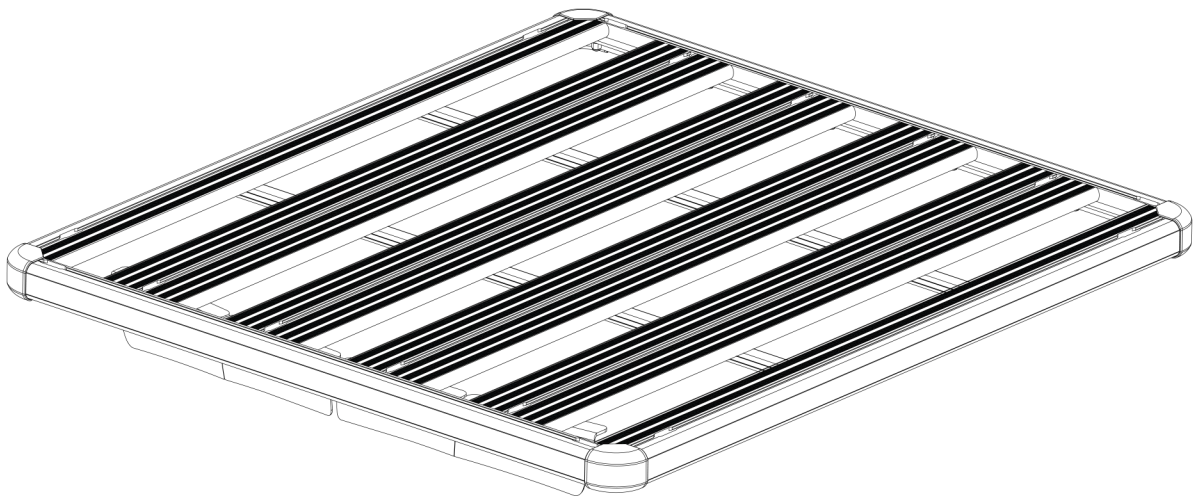
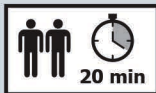
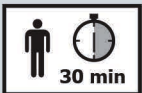


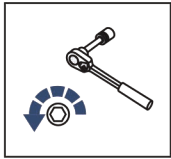
EN

**INSTALLATION MANUAL OF MODULAR
ALUMINUM ROOF RACK**

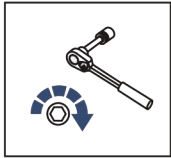


**2M.0001.1 ; 2M.0001.2 ; 2M.0001.3 ;
2M.0001.4 ; 2M.0001.5**





Regular fasteners



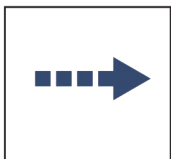
Regular fasteners



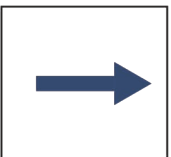
Screw a several turns



Loosen bolts



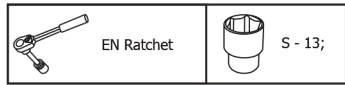
Movement Arrow

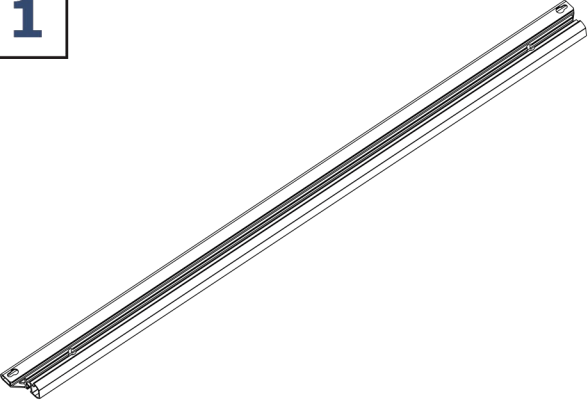
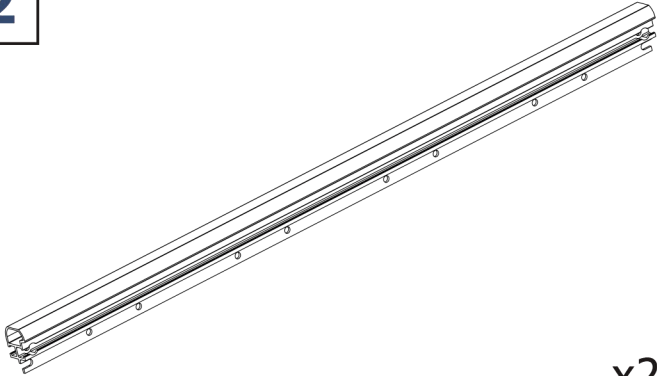
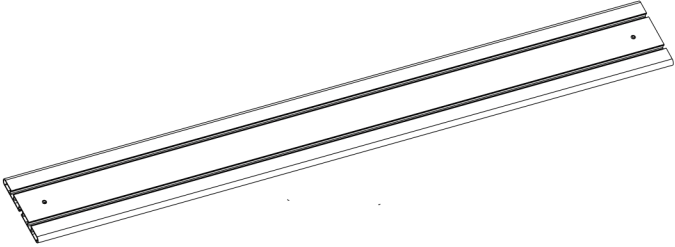
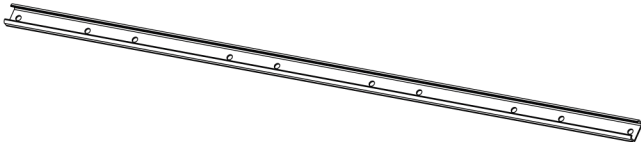
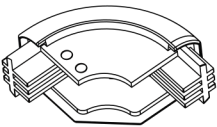
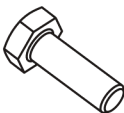
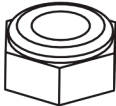

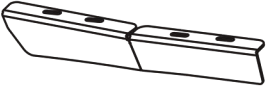





Location/Position Arrow



Screw Arrow



1  x2	2  x2		
3  x4	4  x2		
5  x6	6  M8x16 x50	7  M8 x50	8  Ø8 x50
9  x1	10  x1	11  M8 x2	12  M6 x2

