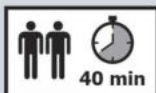
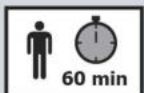
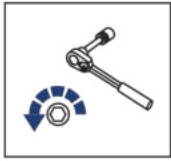
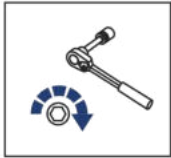


**2M.0002.1 ; 2M.0002.2 ; 2M.0002.3 ;  
2M.0002.4 ; 2M.0002.5**





Regular fasteners



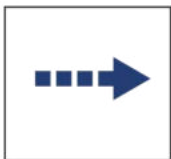
Regular fasteners



Screw a several turns



Loosen bolts



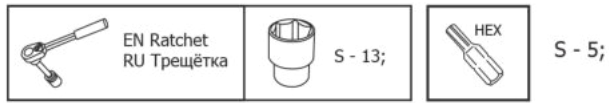
Movement Arrow


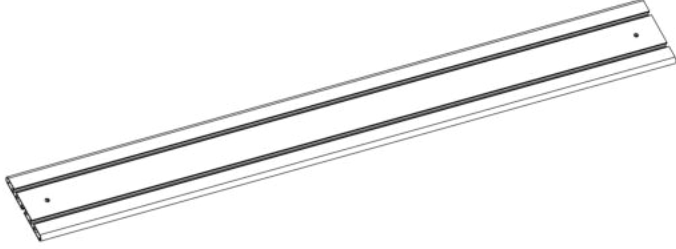









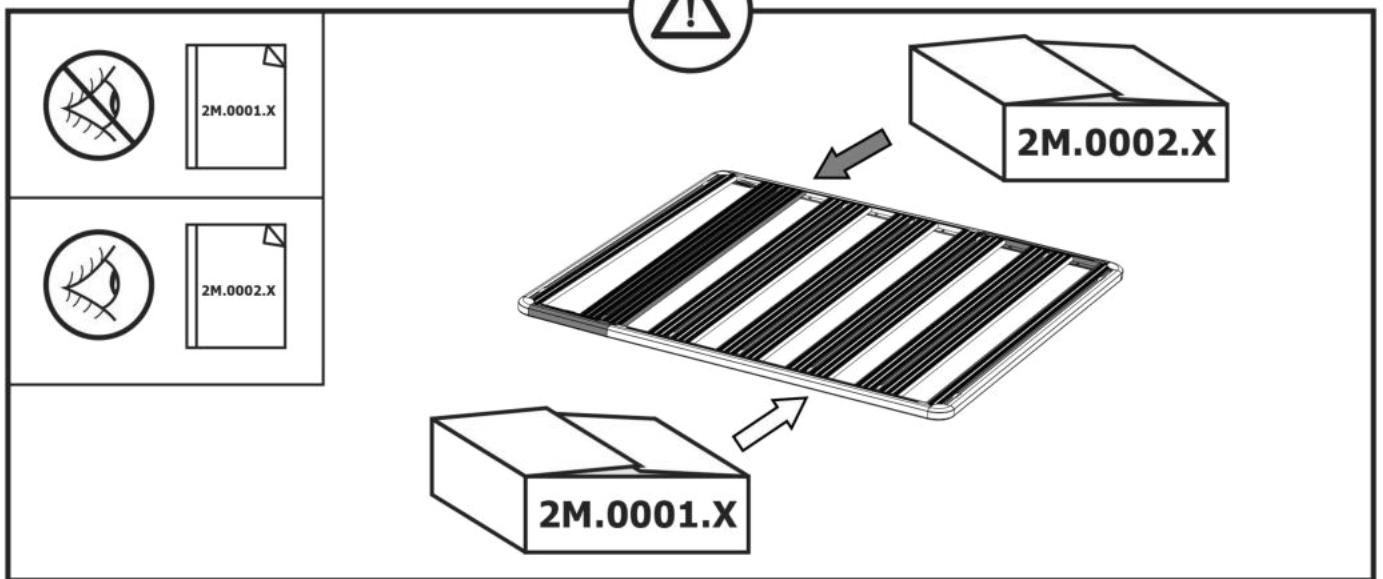
Location/Position Arrow

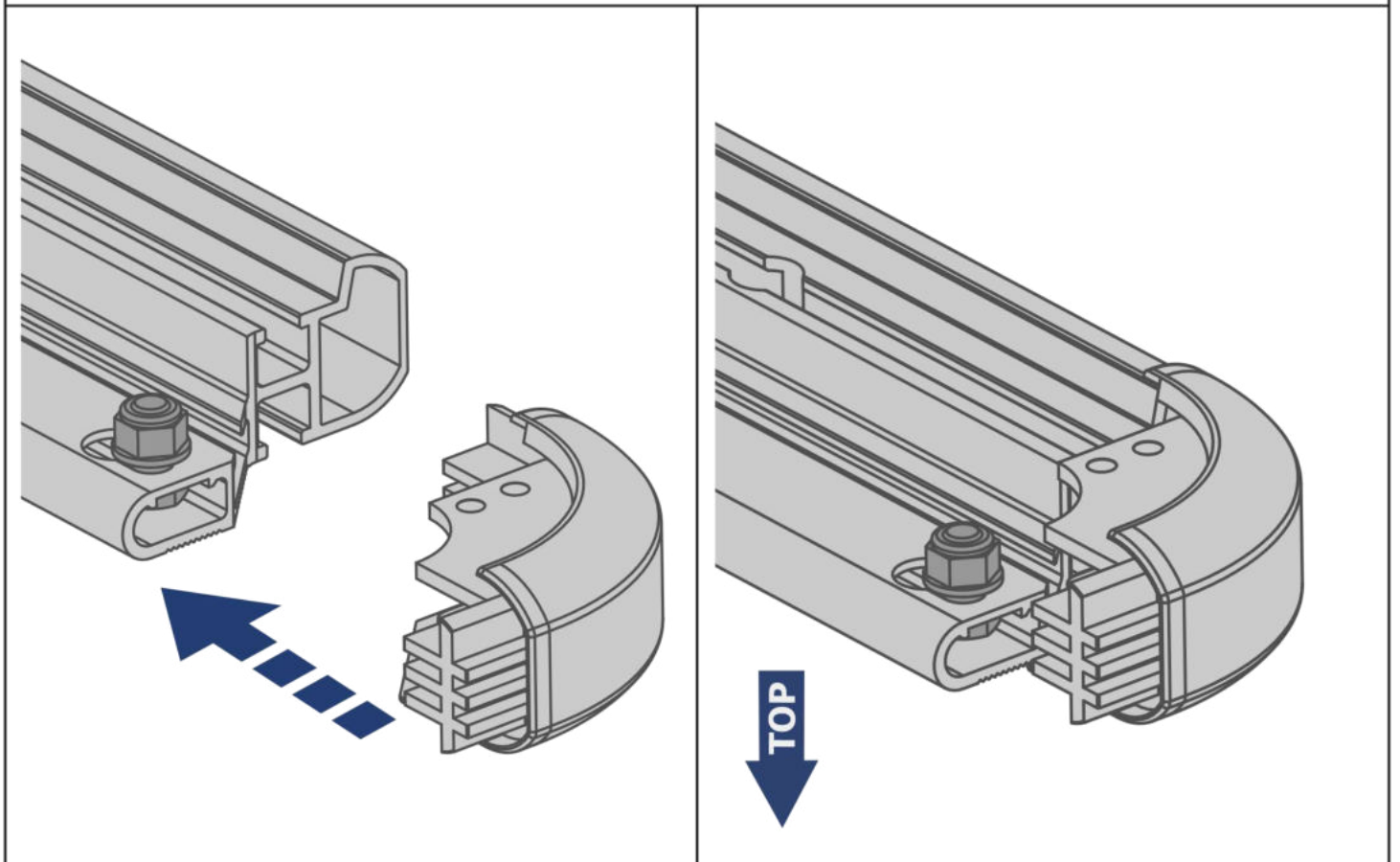
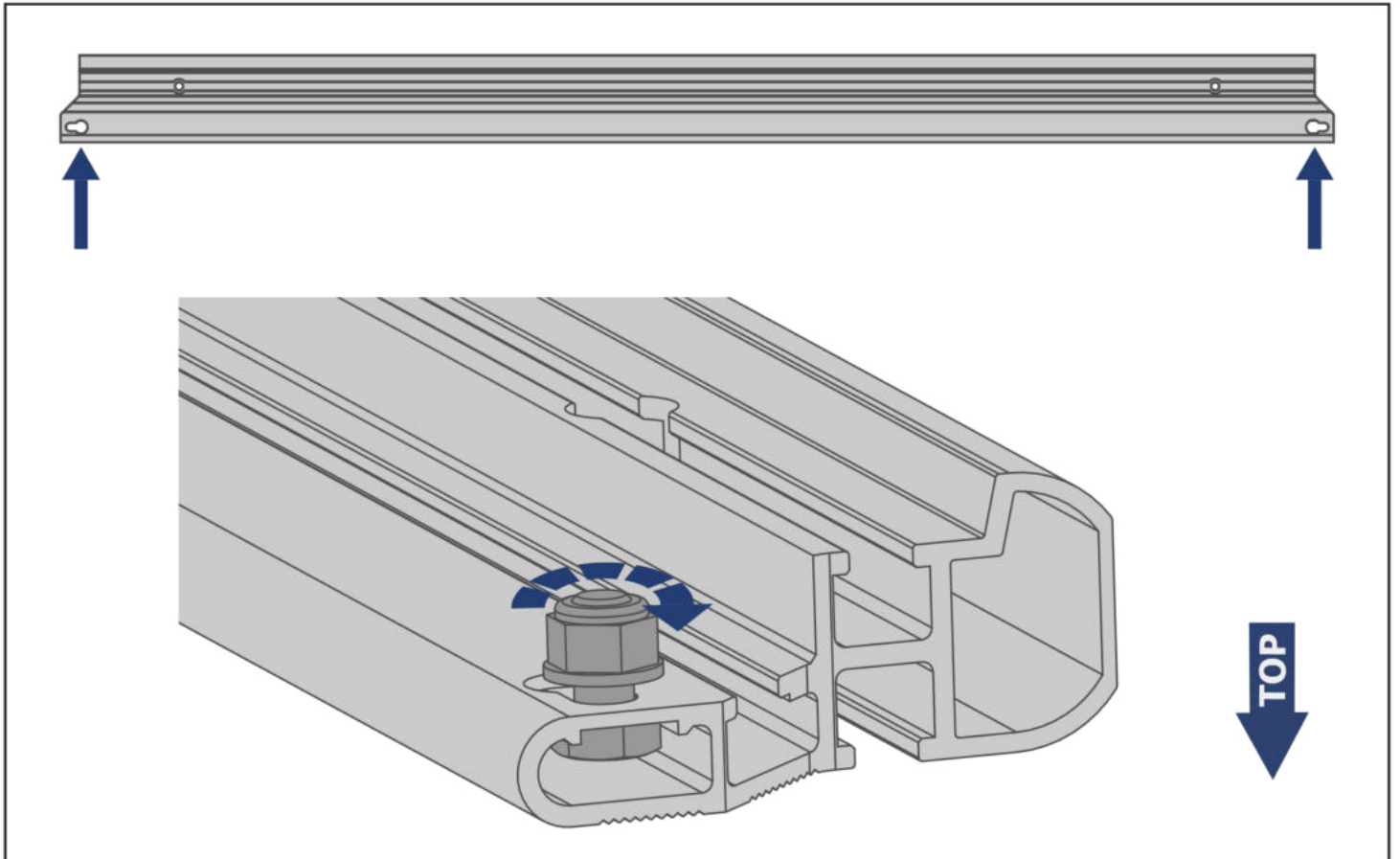


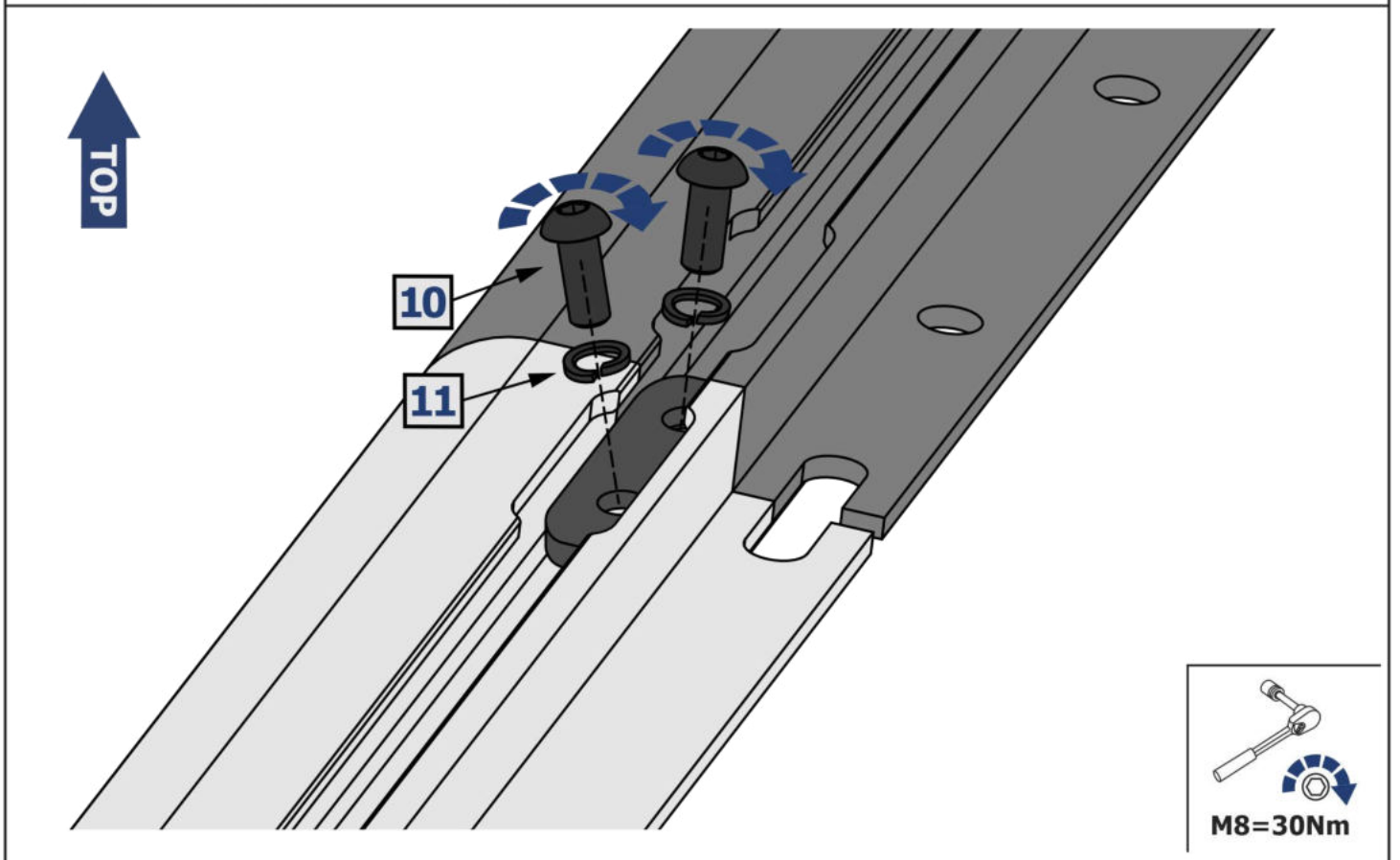
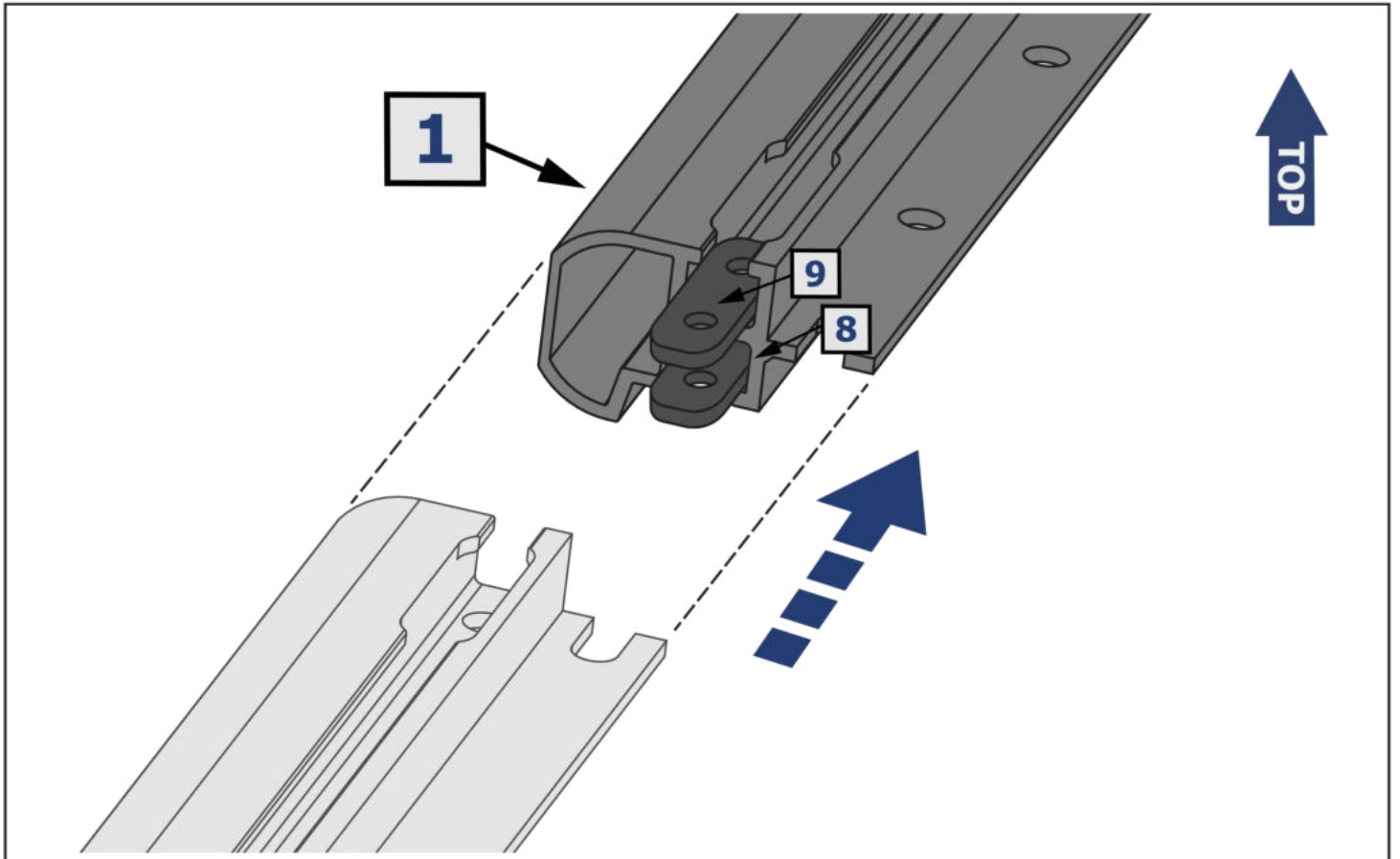
Screw Arrow

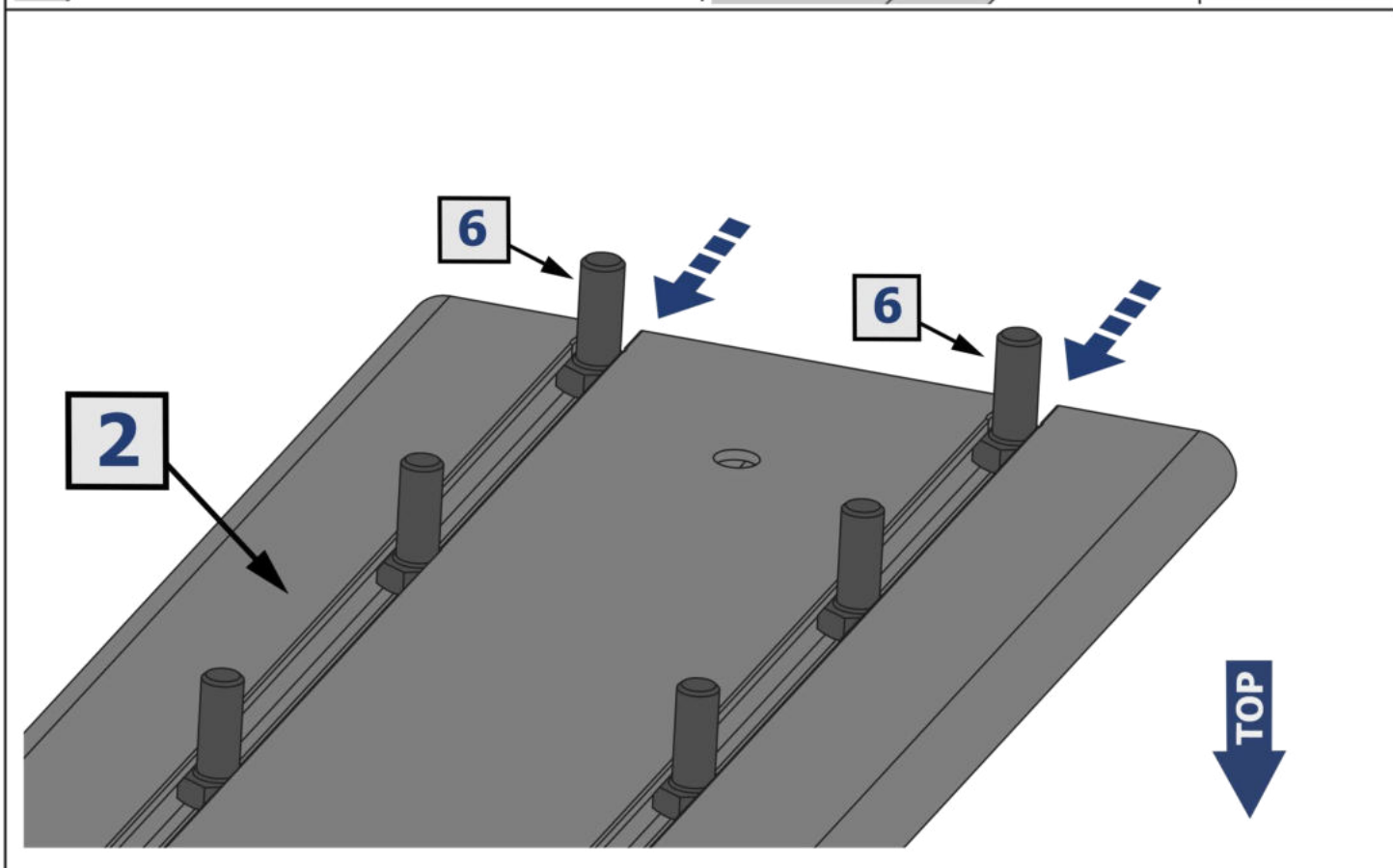
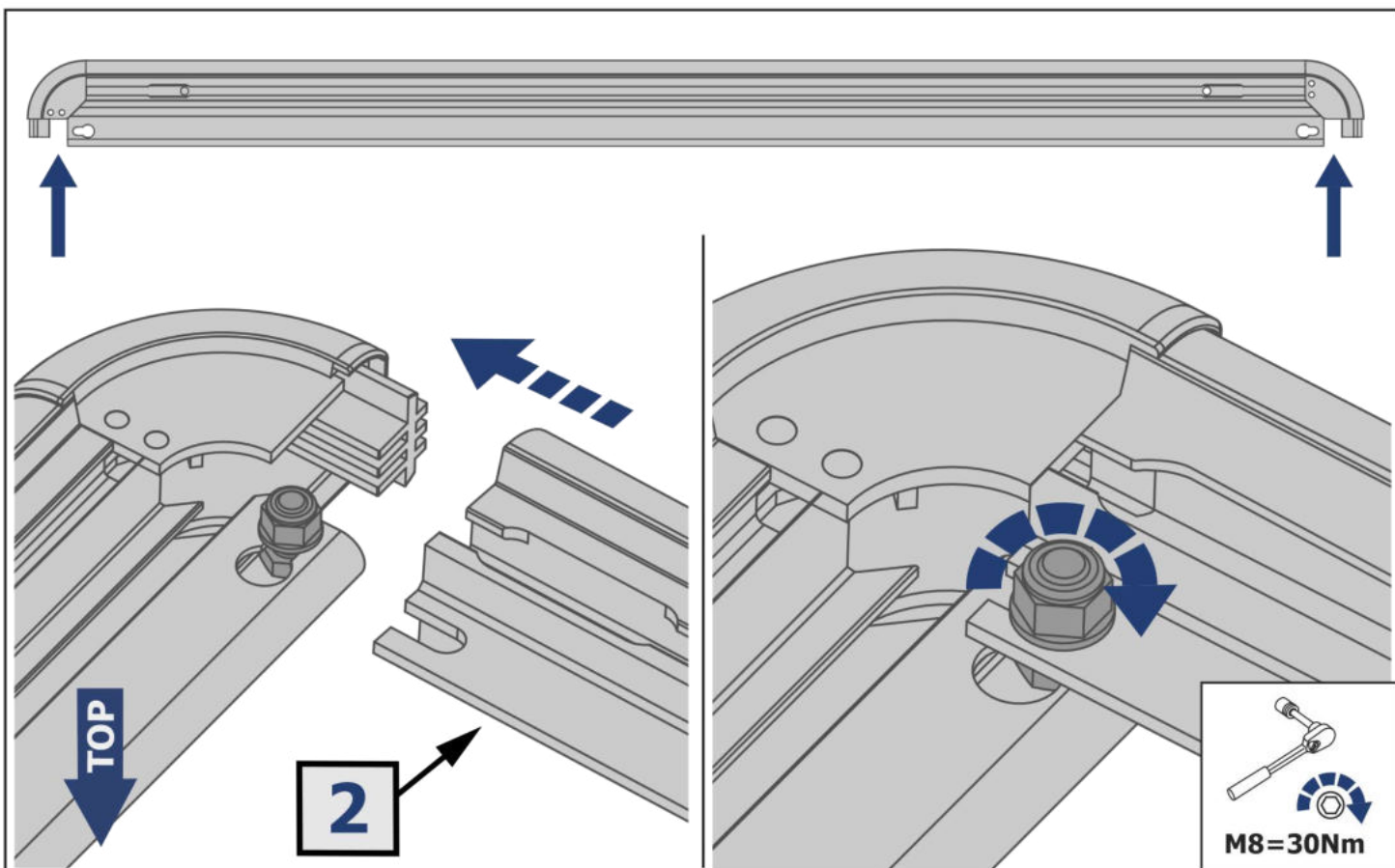


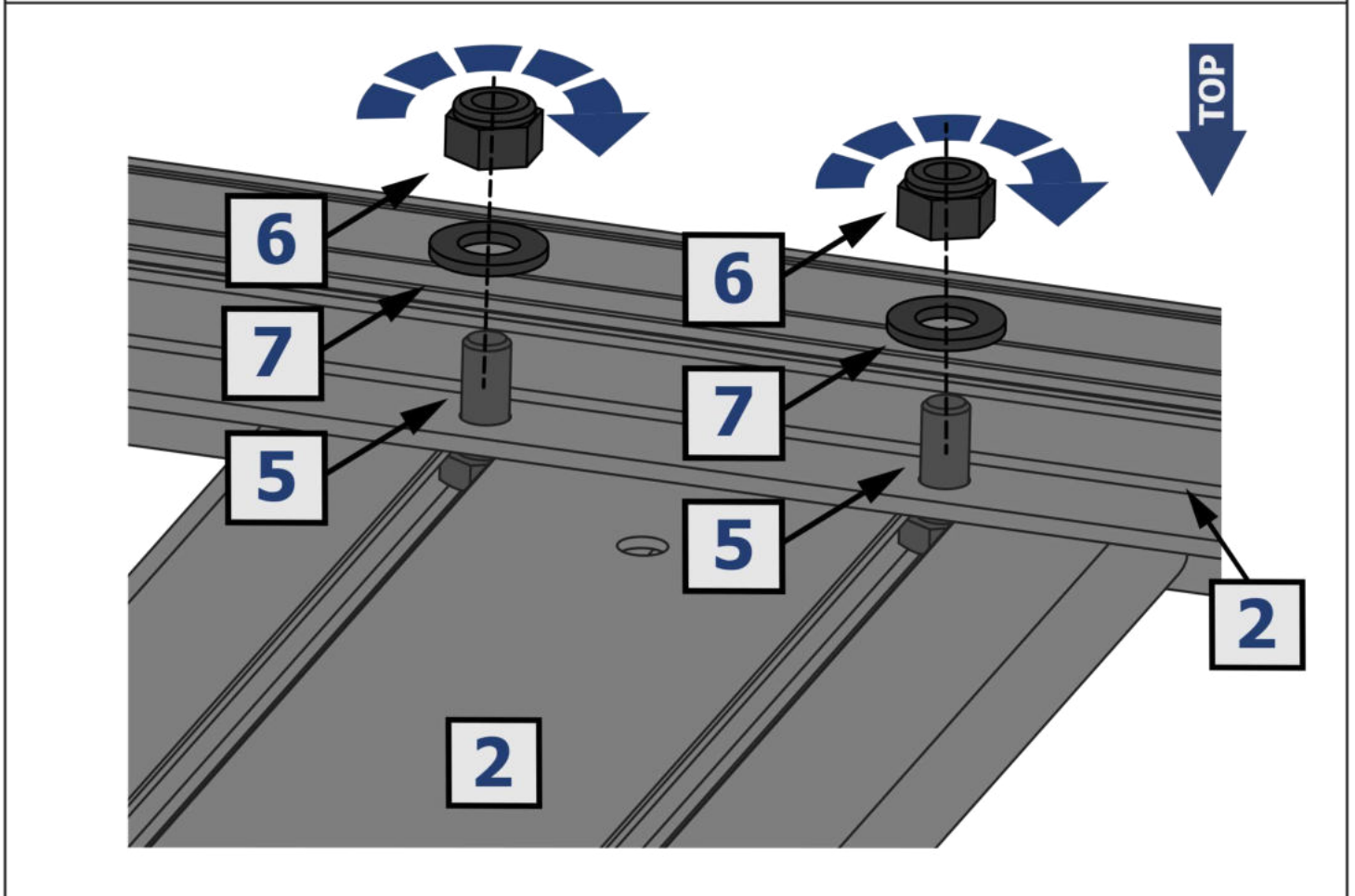
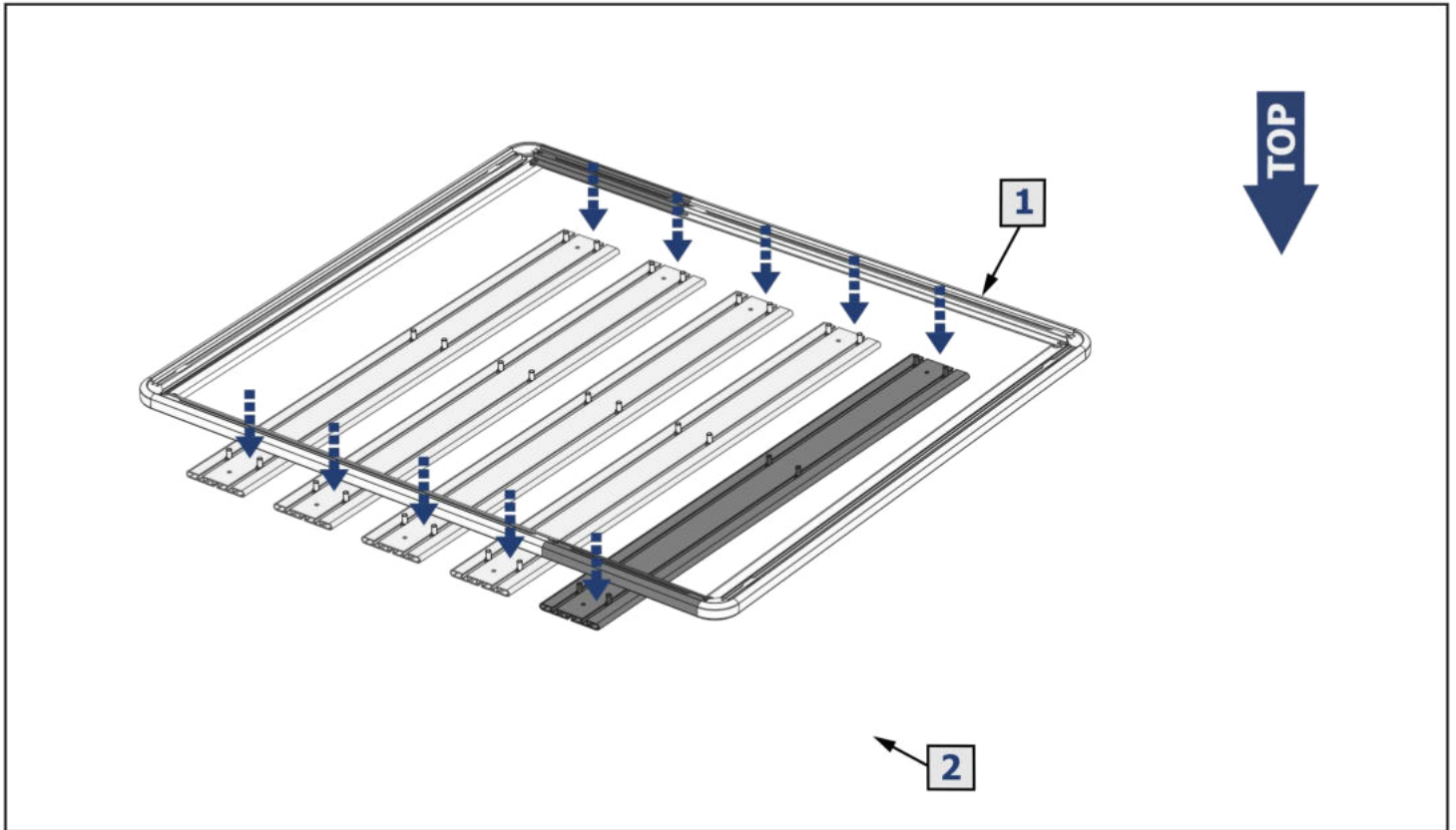
<b>1</b>		<b>2</b>	
			
240 mm		x1	
<b>5</b>		<b>6</b>	
			
M8x16		M8	
x5		x5	
<b>7</b>		<b>8</b>	
			
Ø8		M8	
x9		x2	
<b>9</b>		<b>10</b>	
			
Ø8		M8x20	
x2		x4	
<b>11</b>			
			
Ø8			
x4			

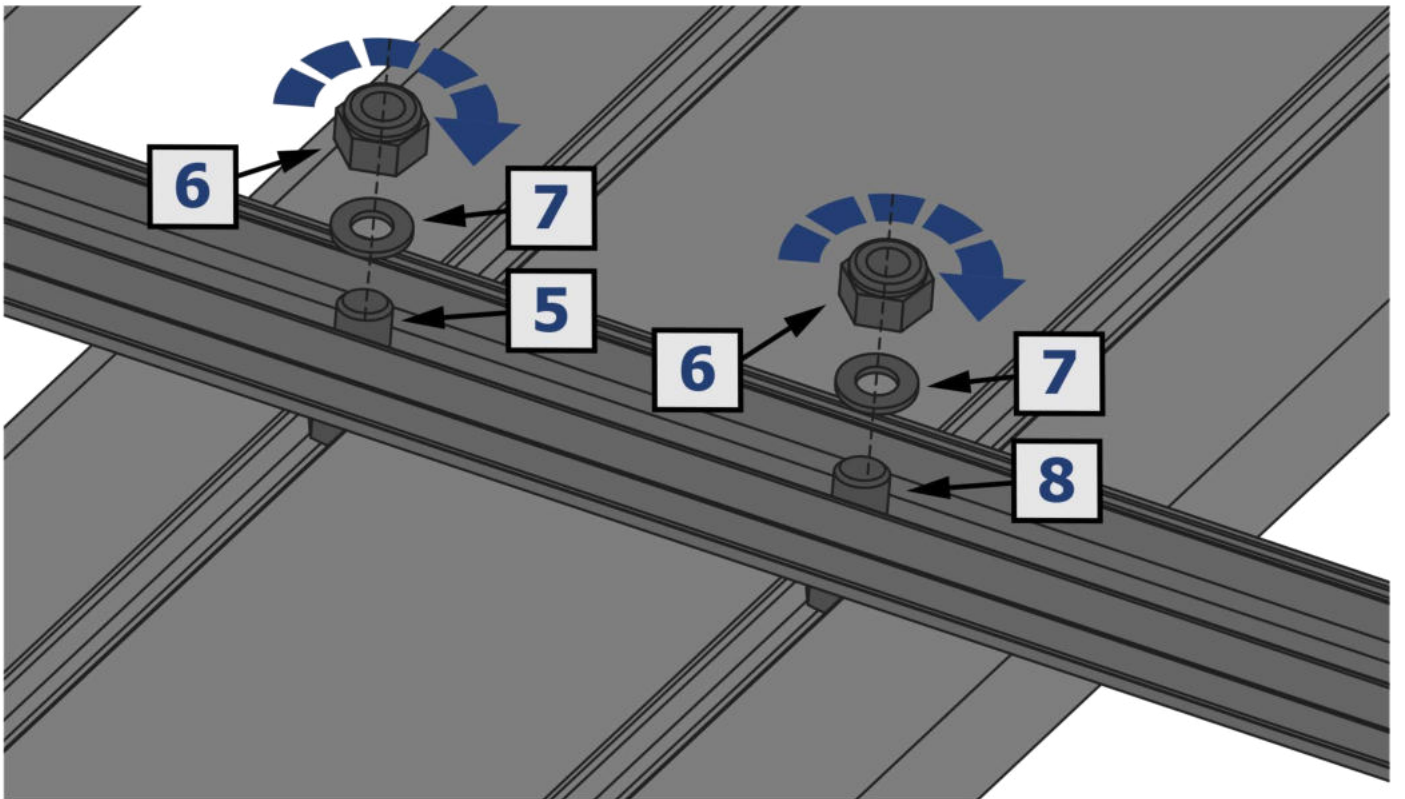
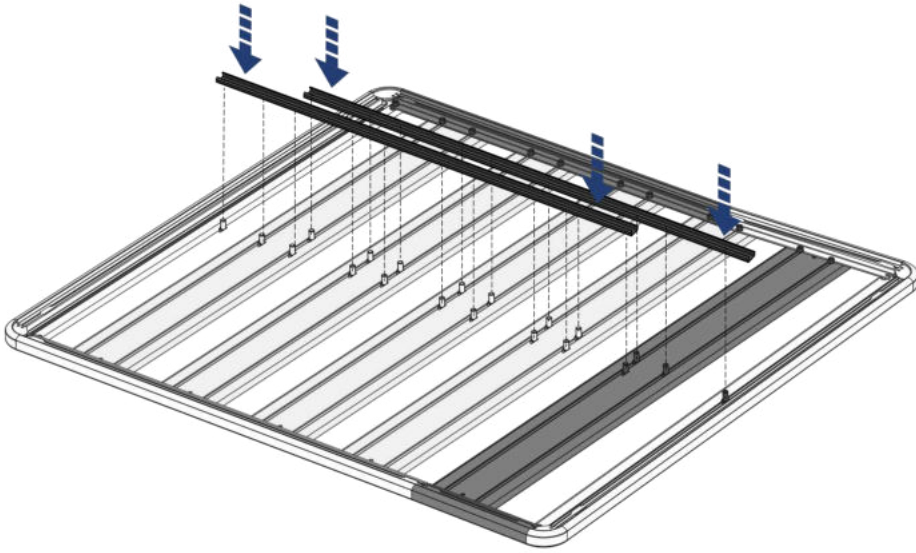






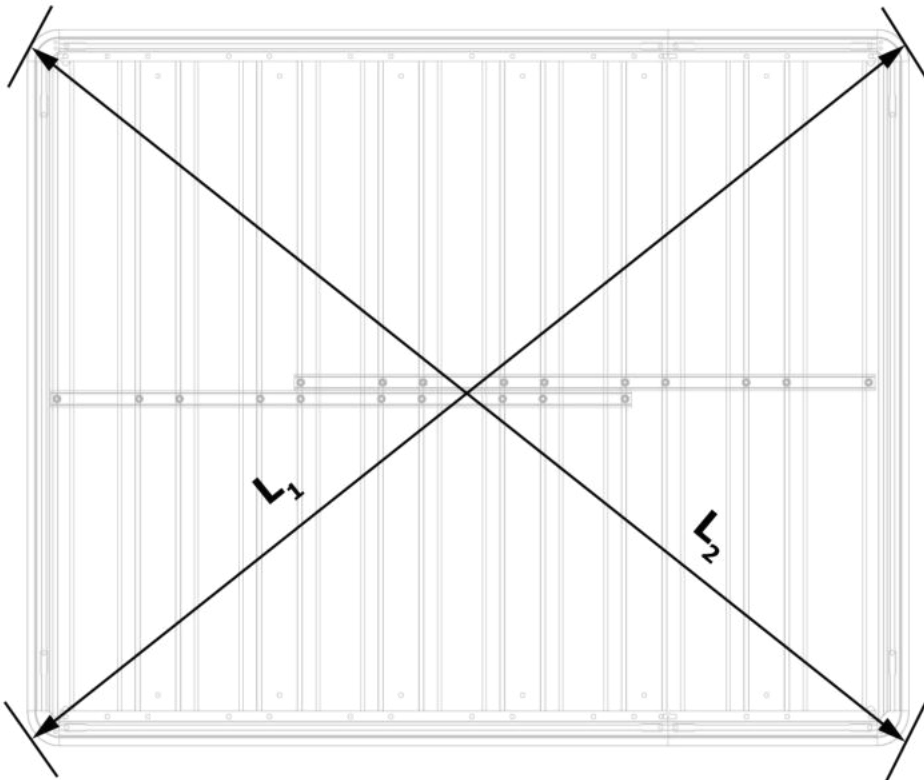








M8=30Nm



$$L_1 = L_2 \pm 1\text{mm}$$