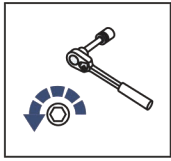
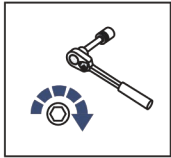


**2M.0003.1 ; 2M.0003.2 ; 2M.0003.3 ;
2M.0003.4 ; 2M.0003.5**

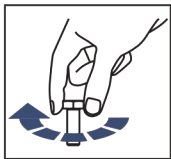




Regular fasteners



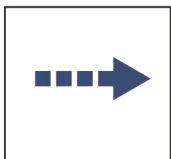
Regular fasteners



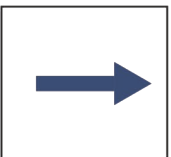
Screw a several turns



Loosen bolts



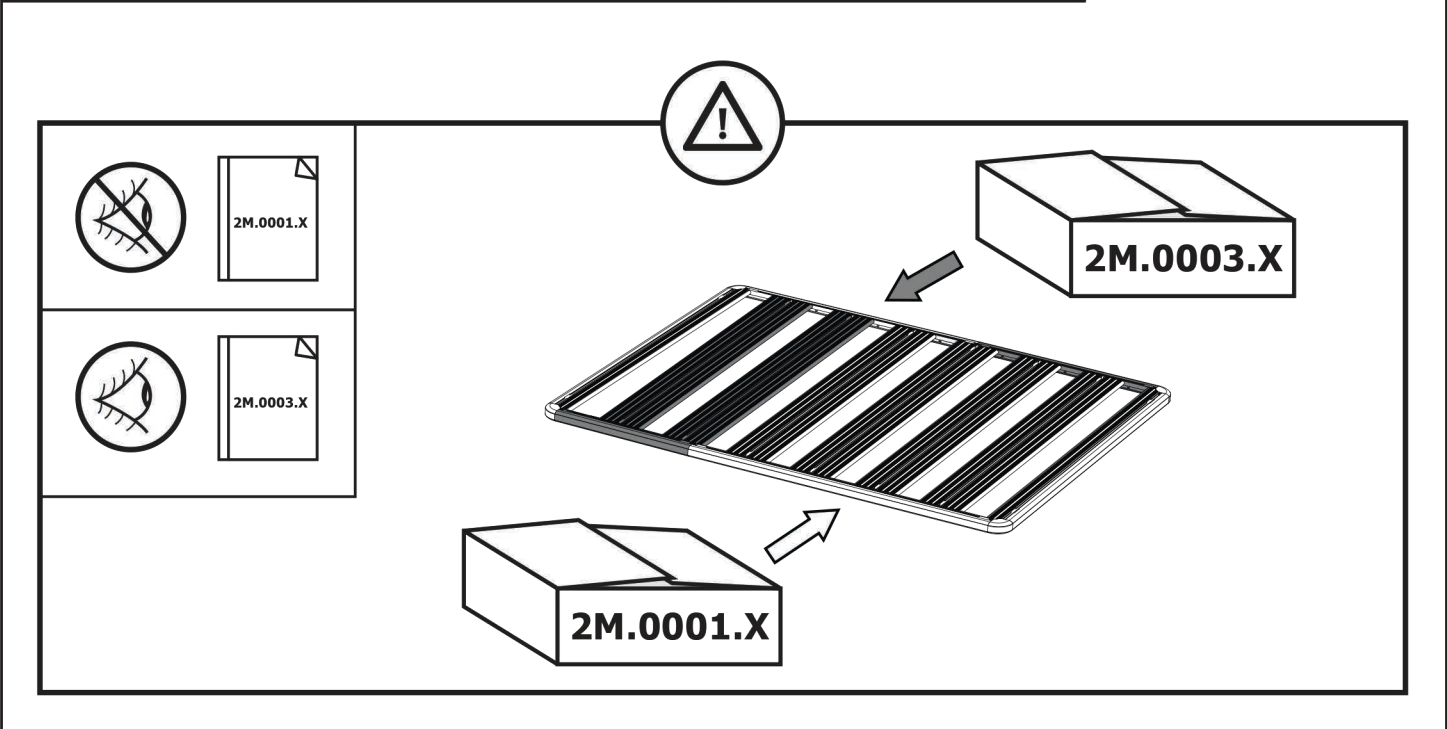
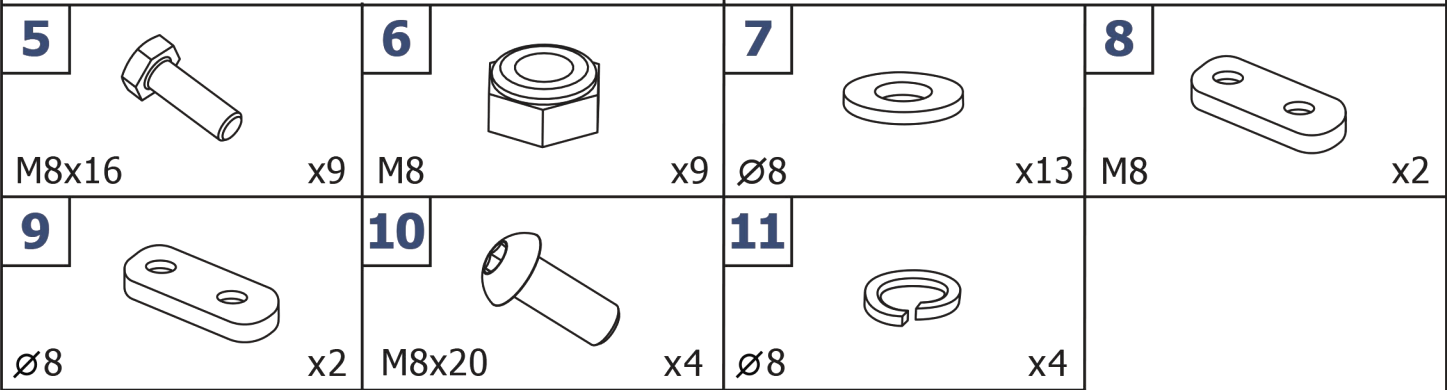
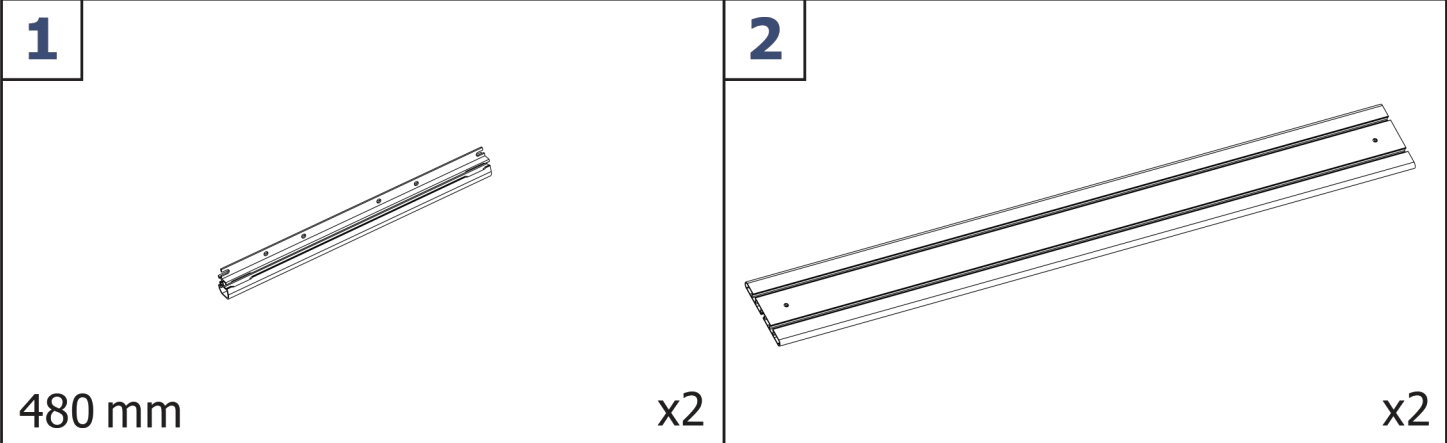
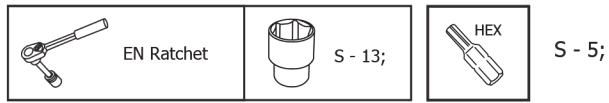
Movement Arrow

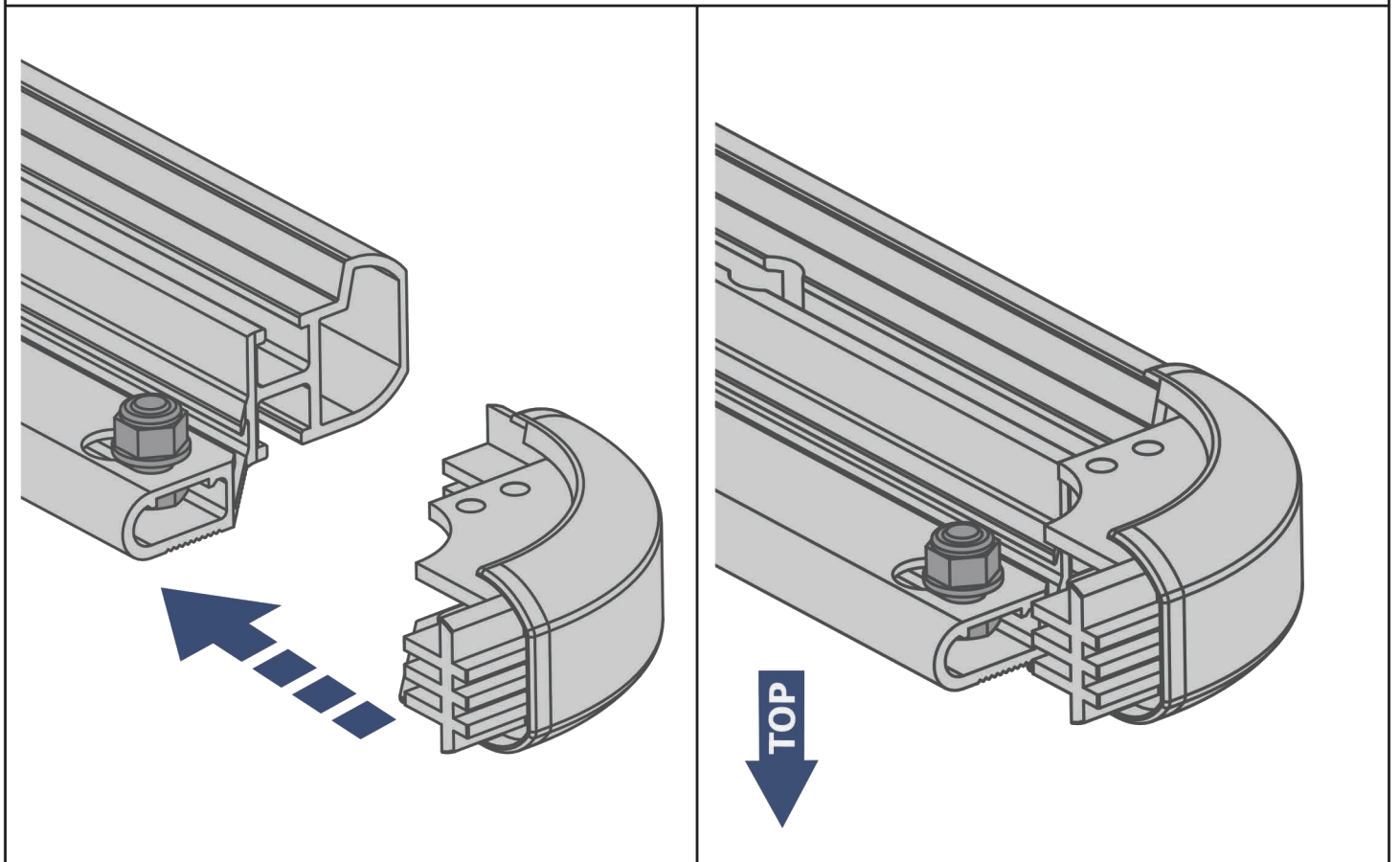
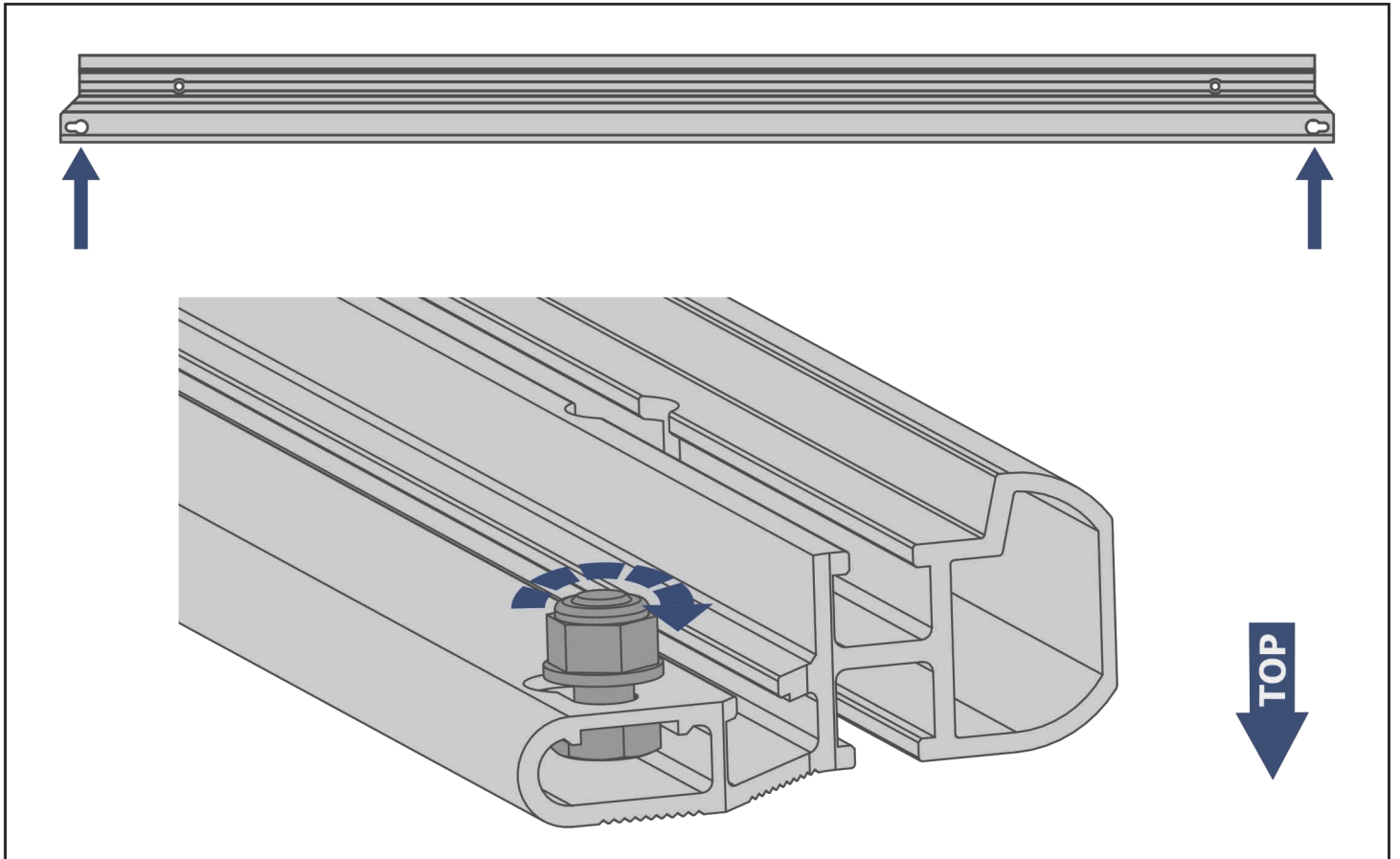


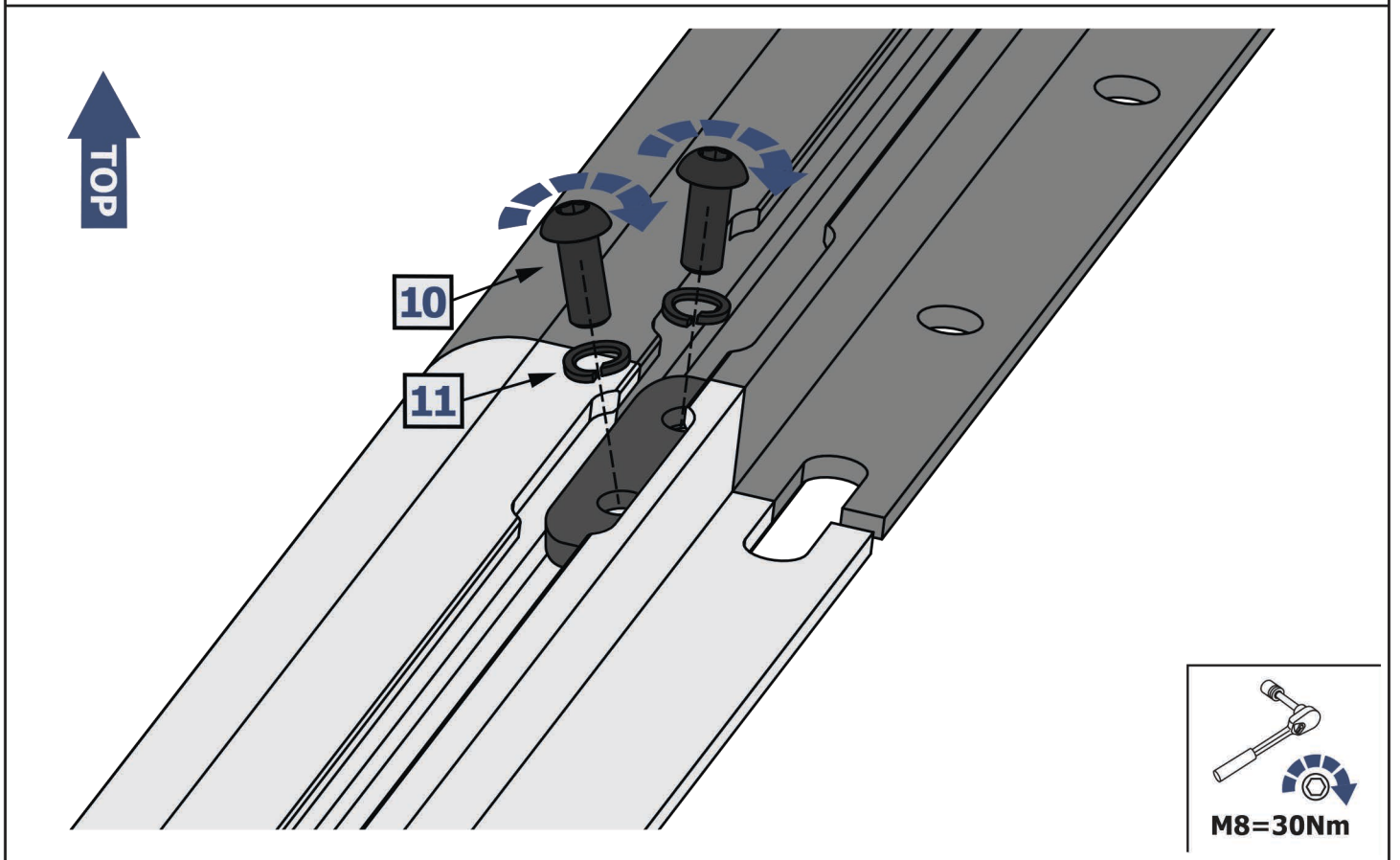
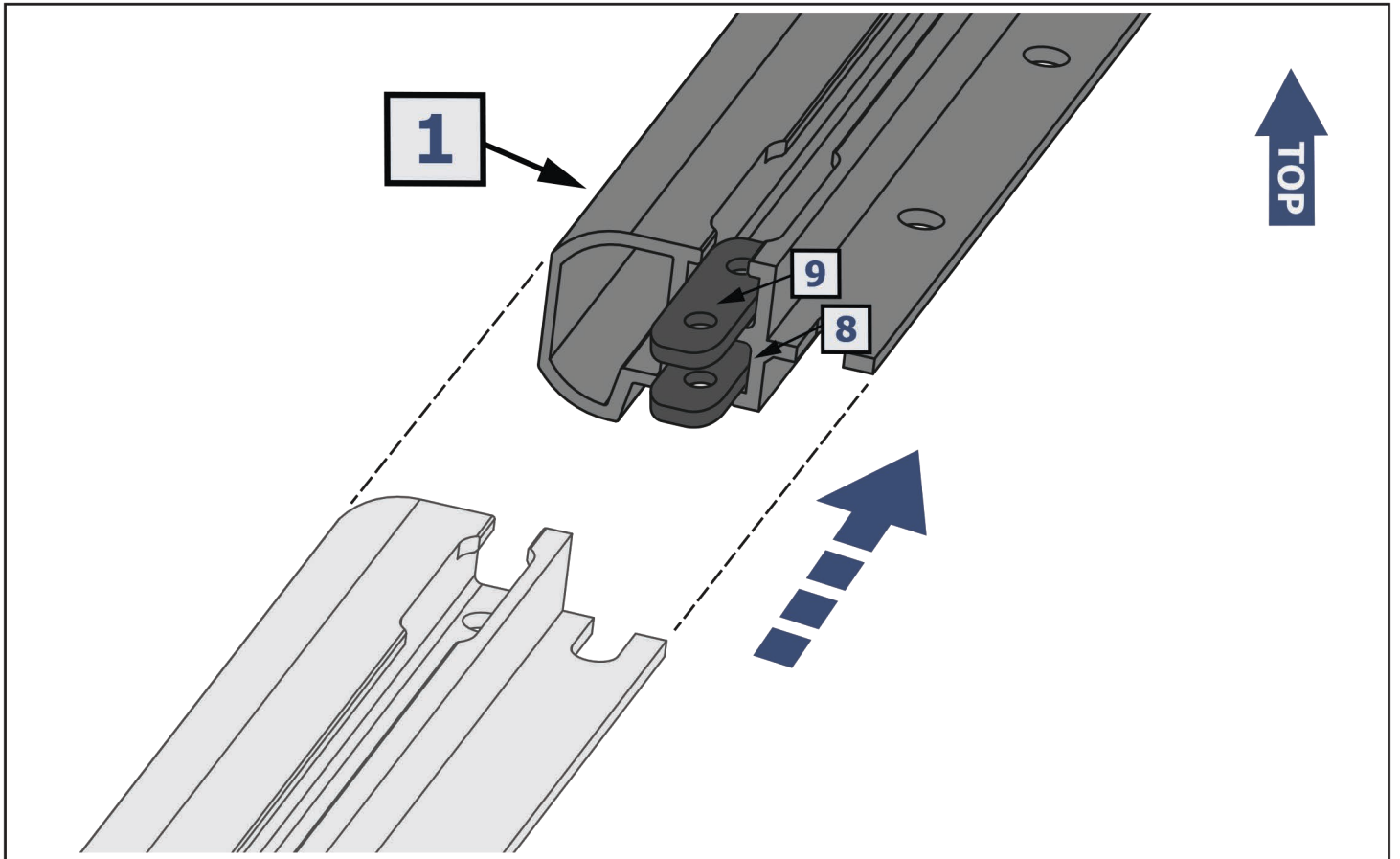
Location/Position Arrow

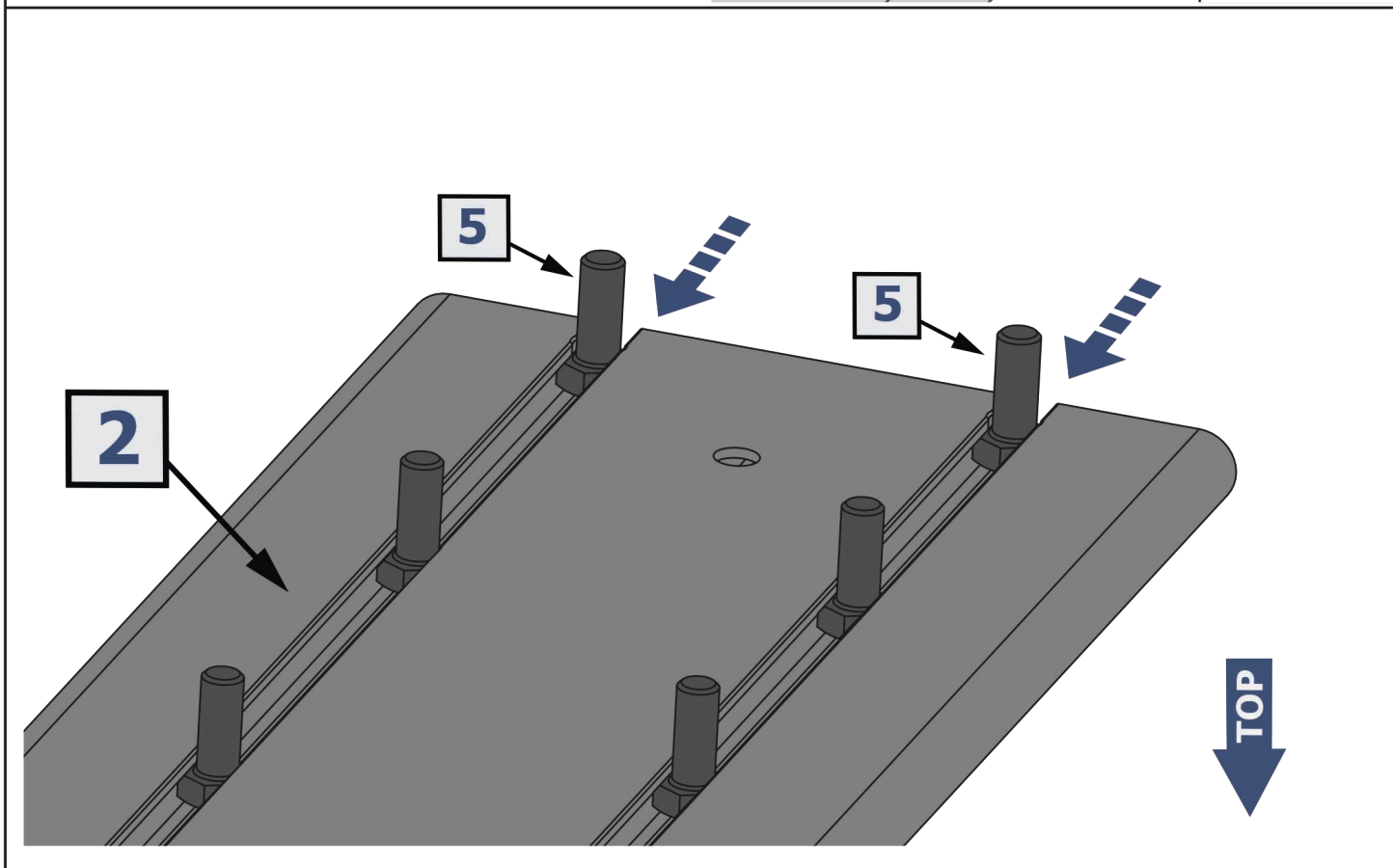
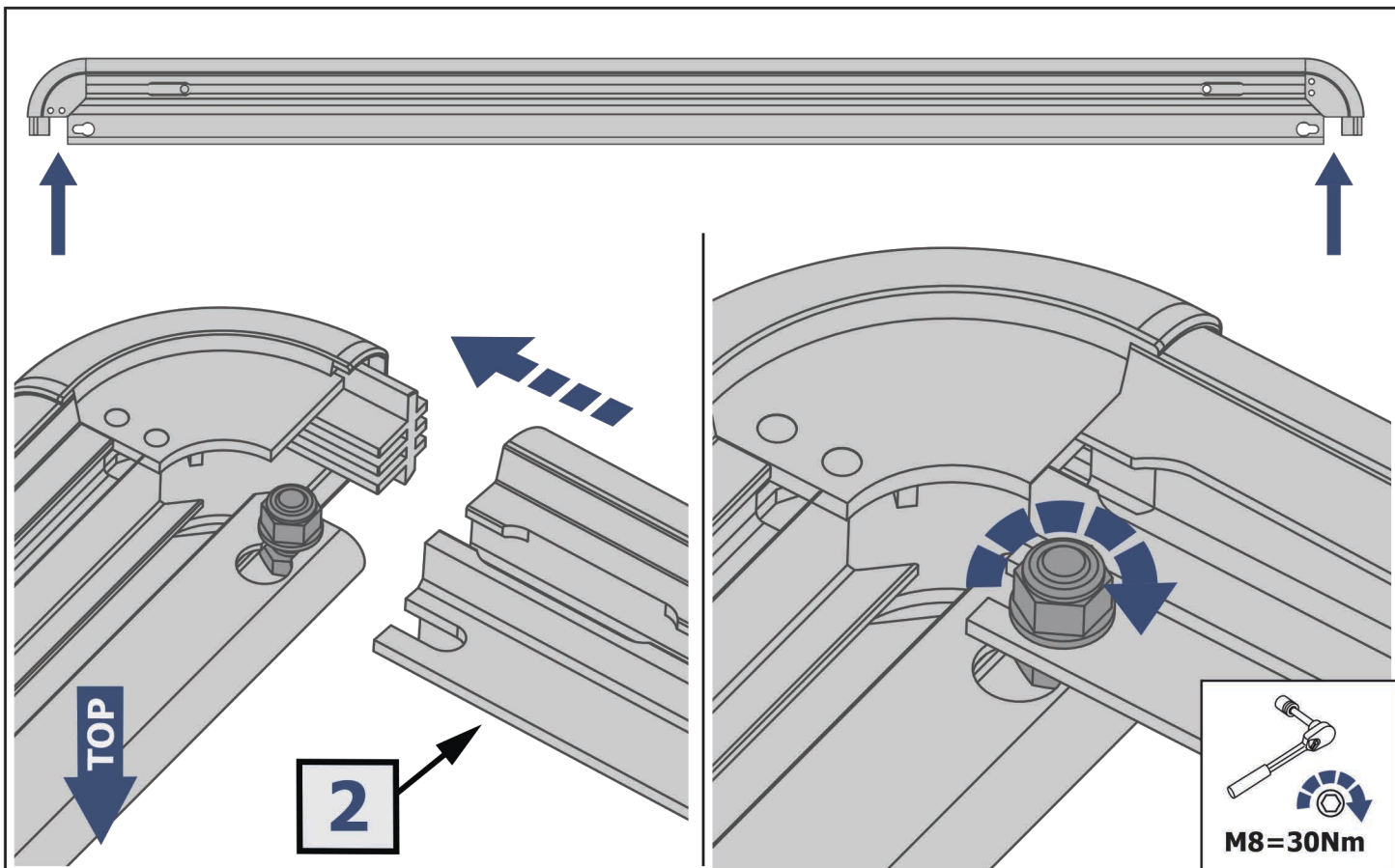


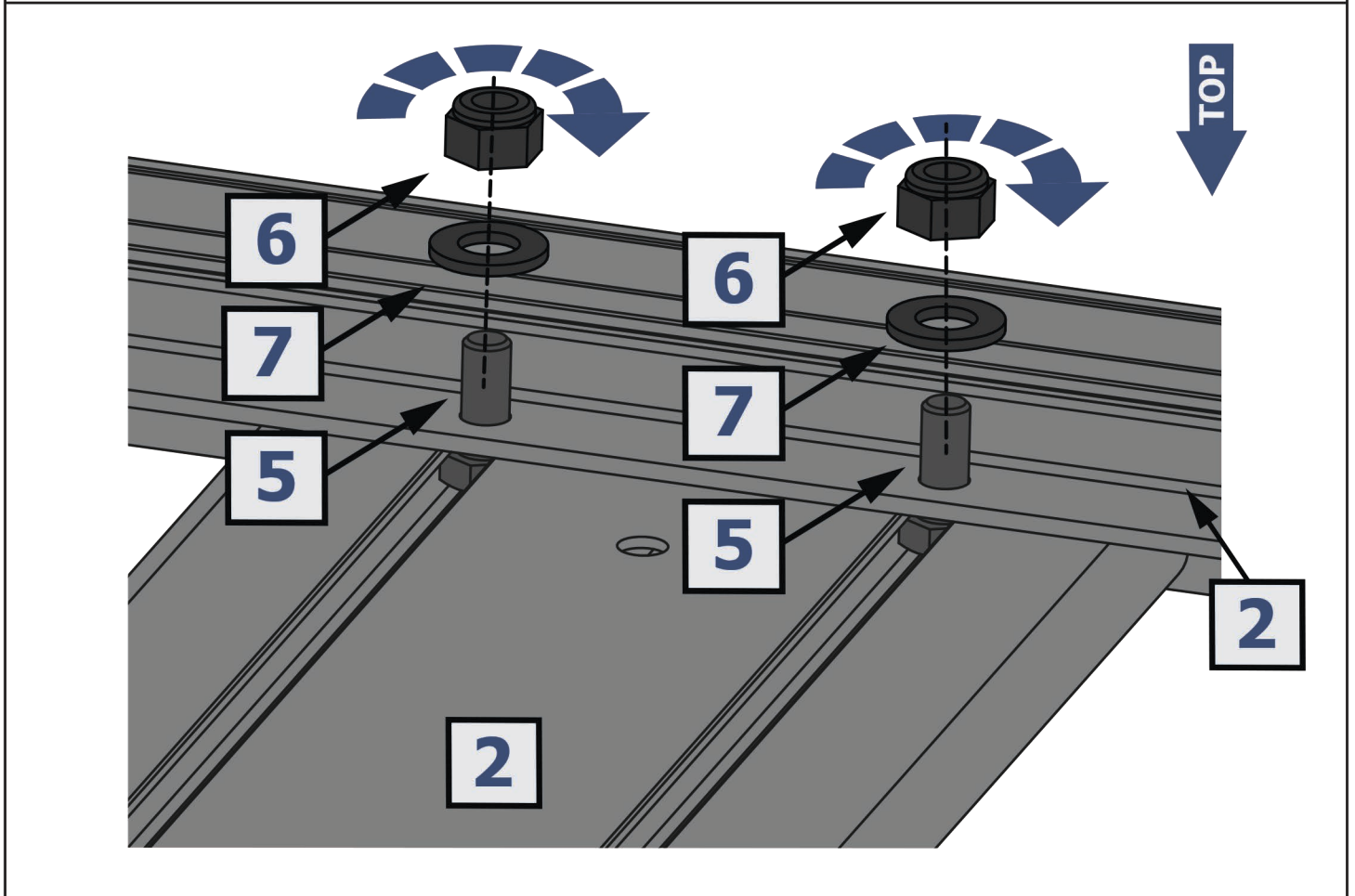
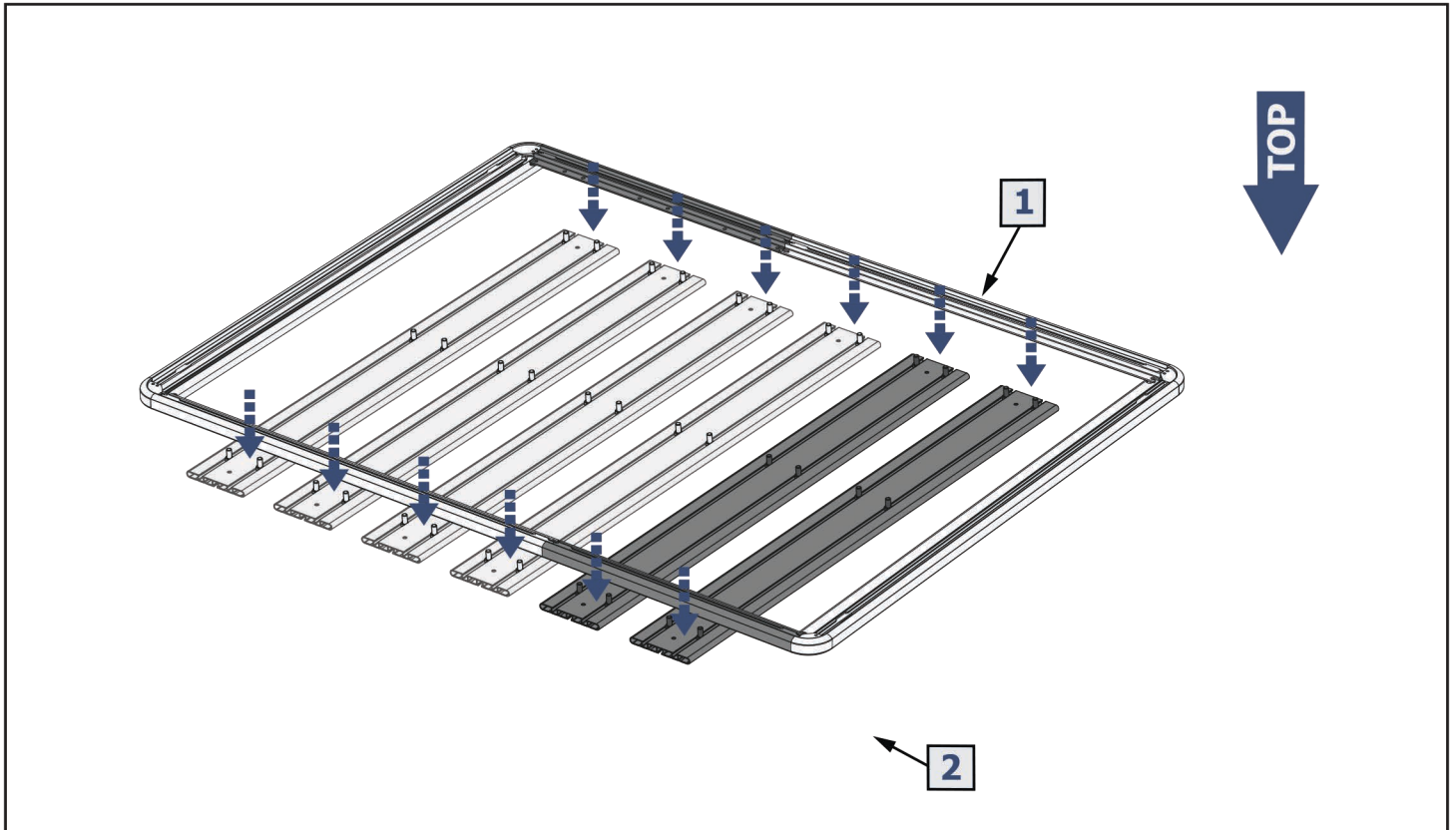
Screw Arrow

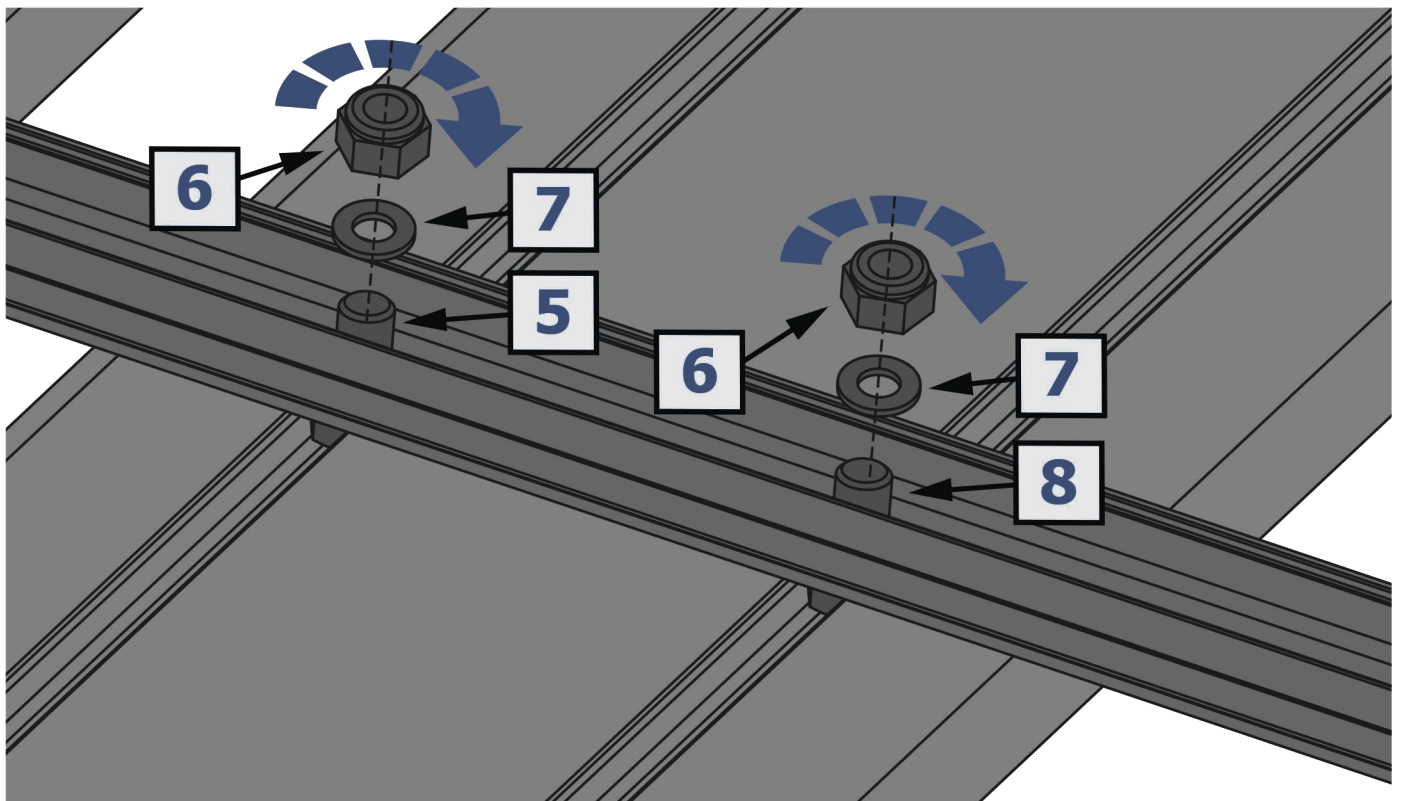
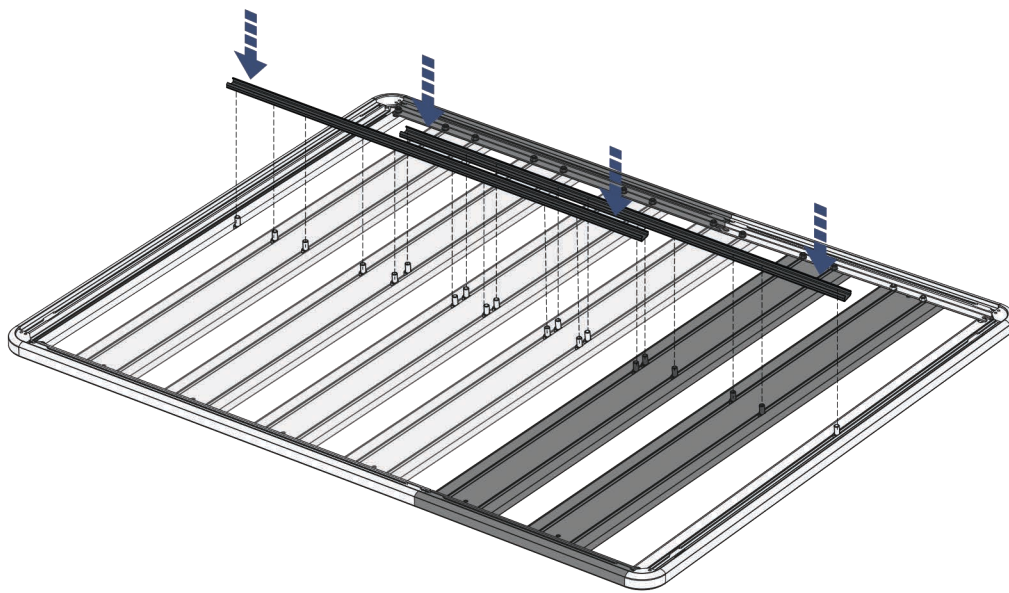






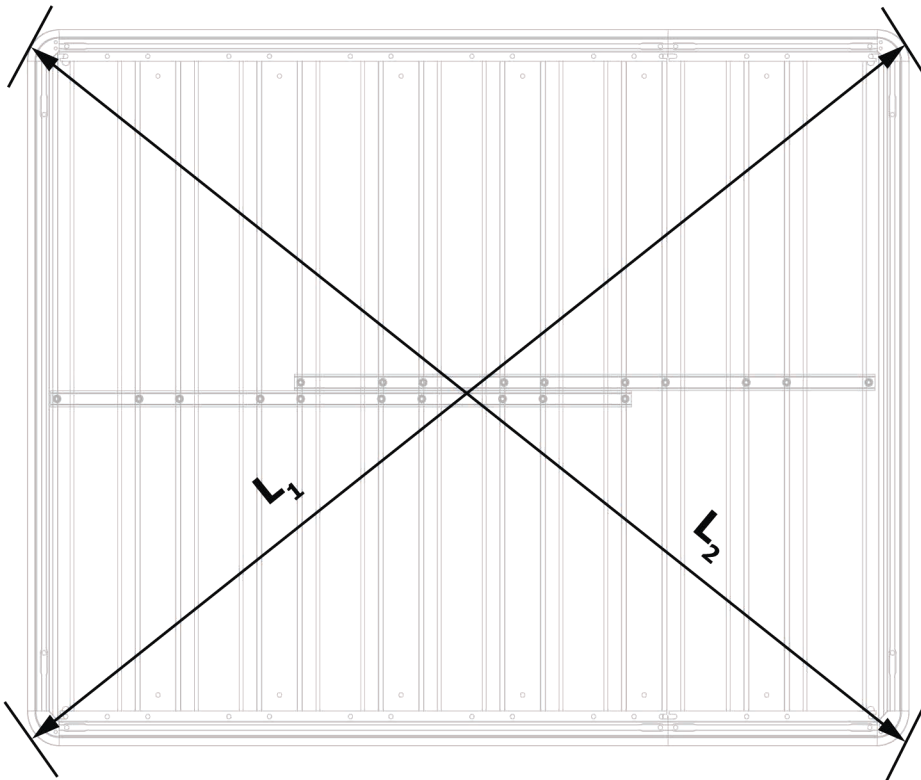
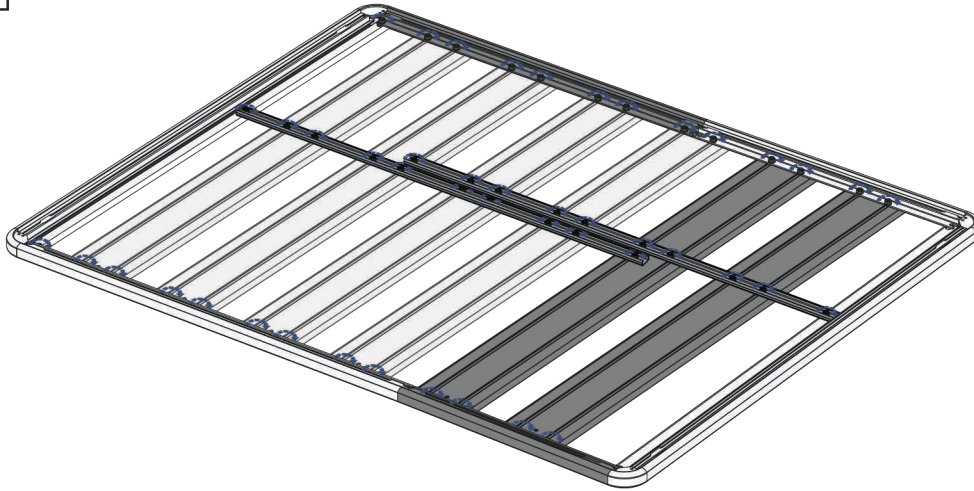








M8=30Nm



$$L_1 = L_2 \pm 1\text{mm}$$