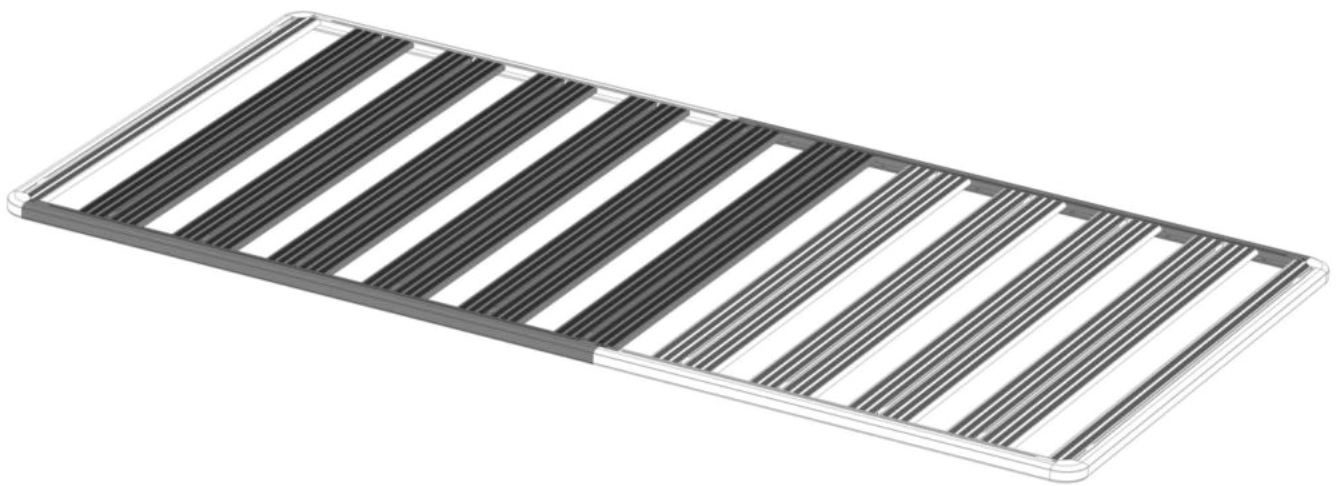


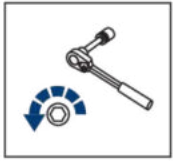
EN

INSTALLATION MANUAL OF ADDITIONAL KIT 2675 MM



**2M.0007.1 ; 2M.0007.2 ; 2M.0007.3 ;
2M.0007.4 ; 2M.0007.5**





Regular fasteners



Regular fasteners



Screw a several turns



Loosen bolts



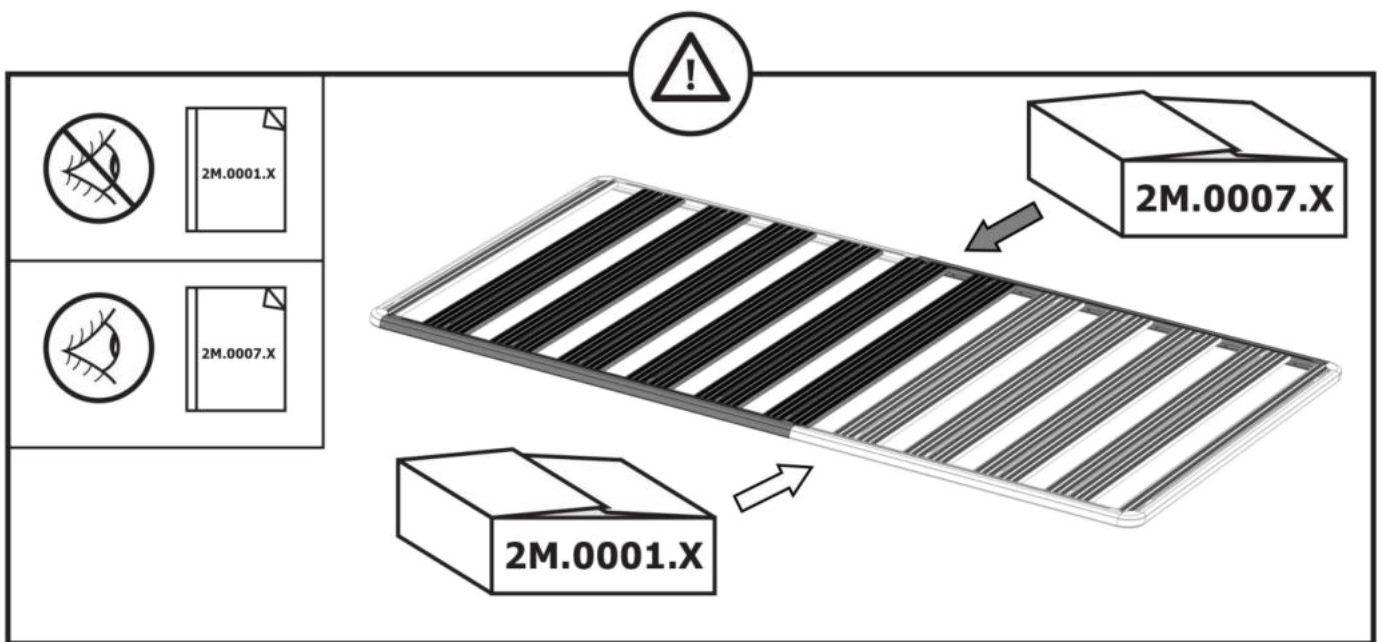
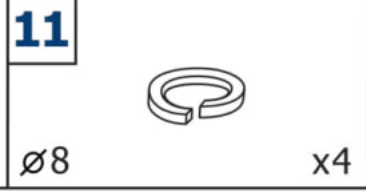
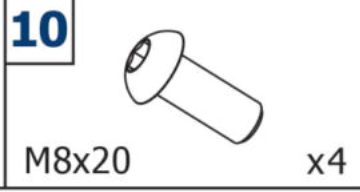
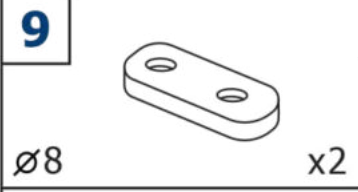
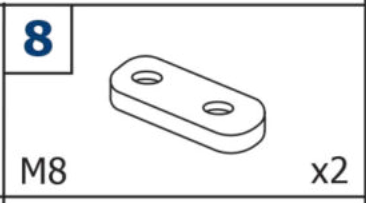
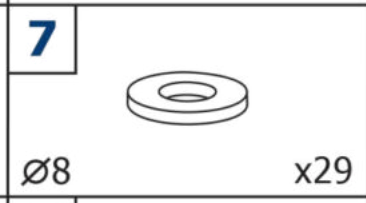
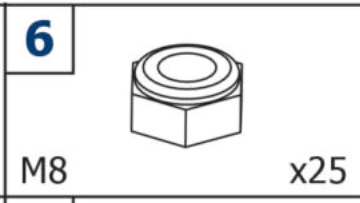
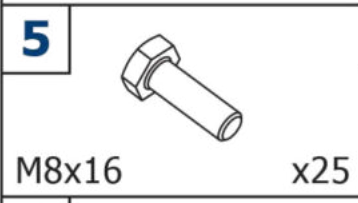
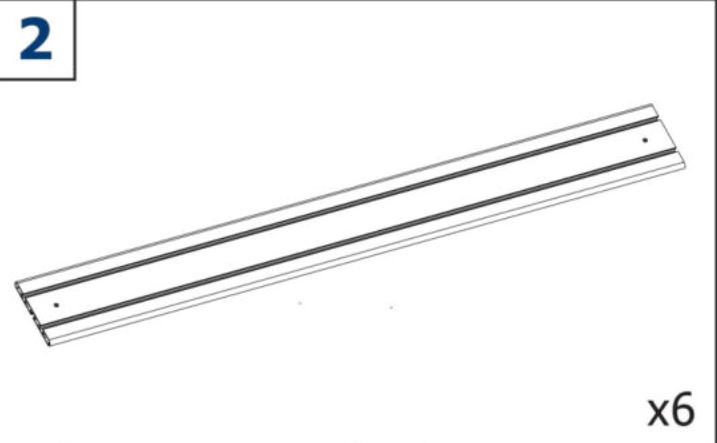
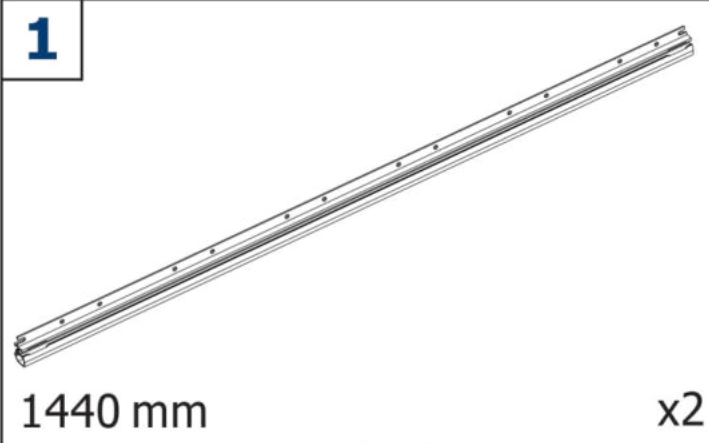
Movement Arrow

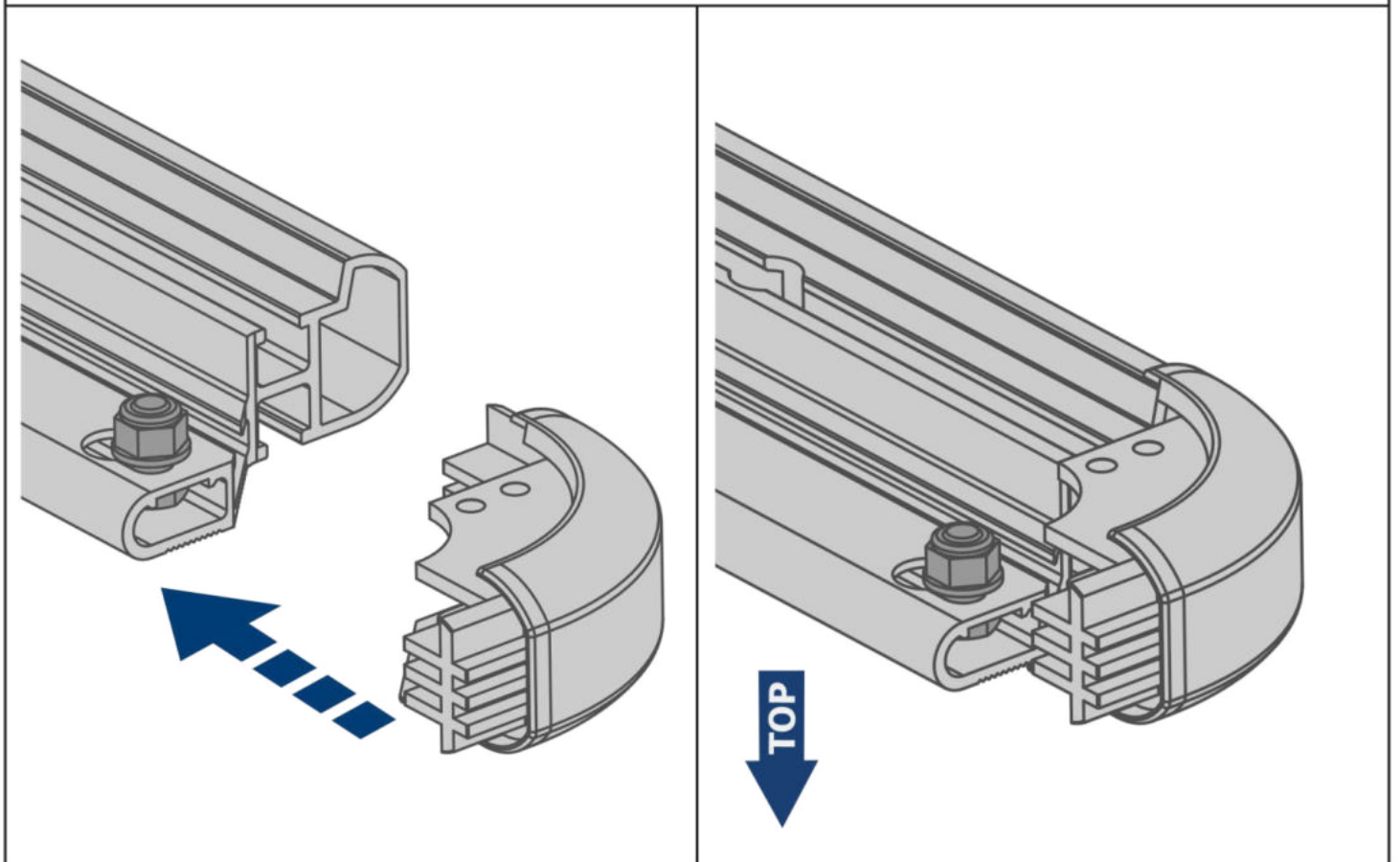
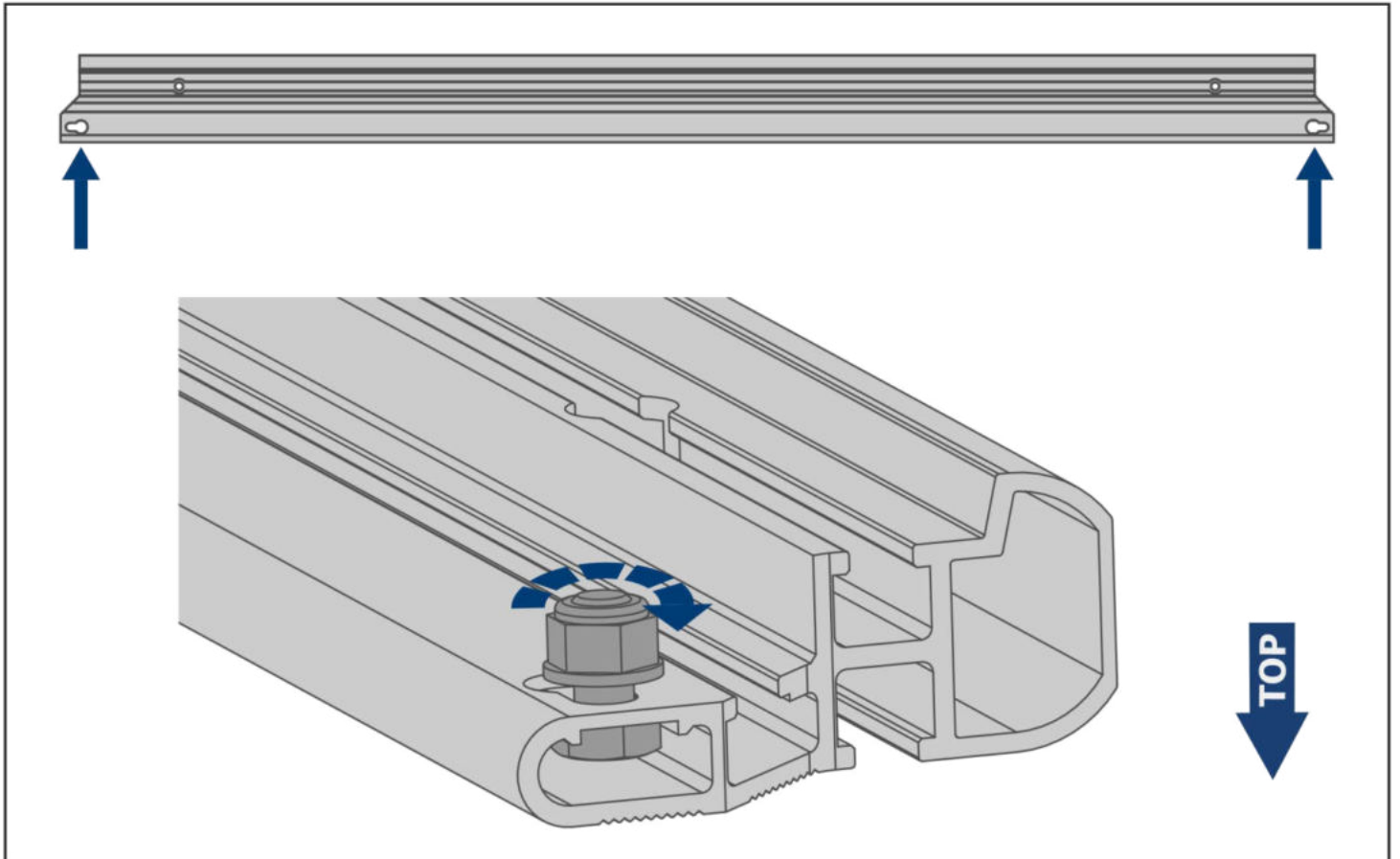


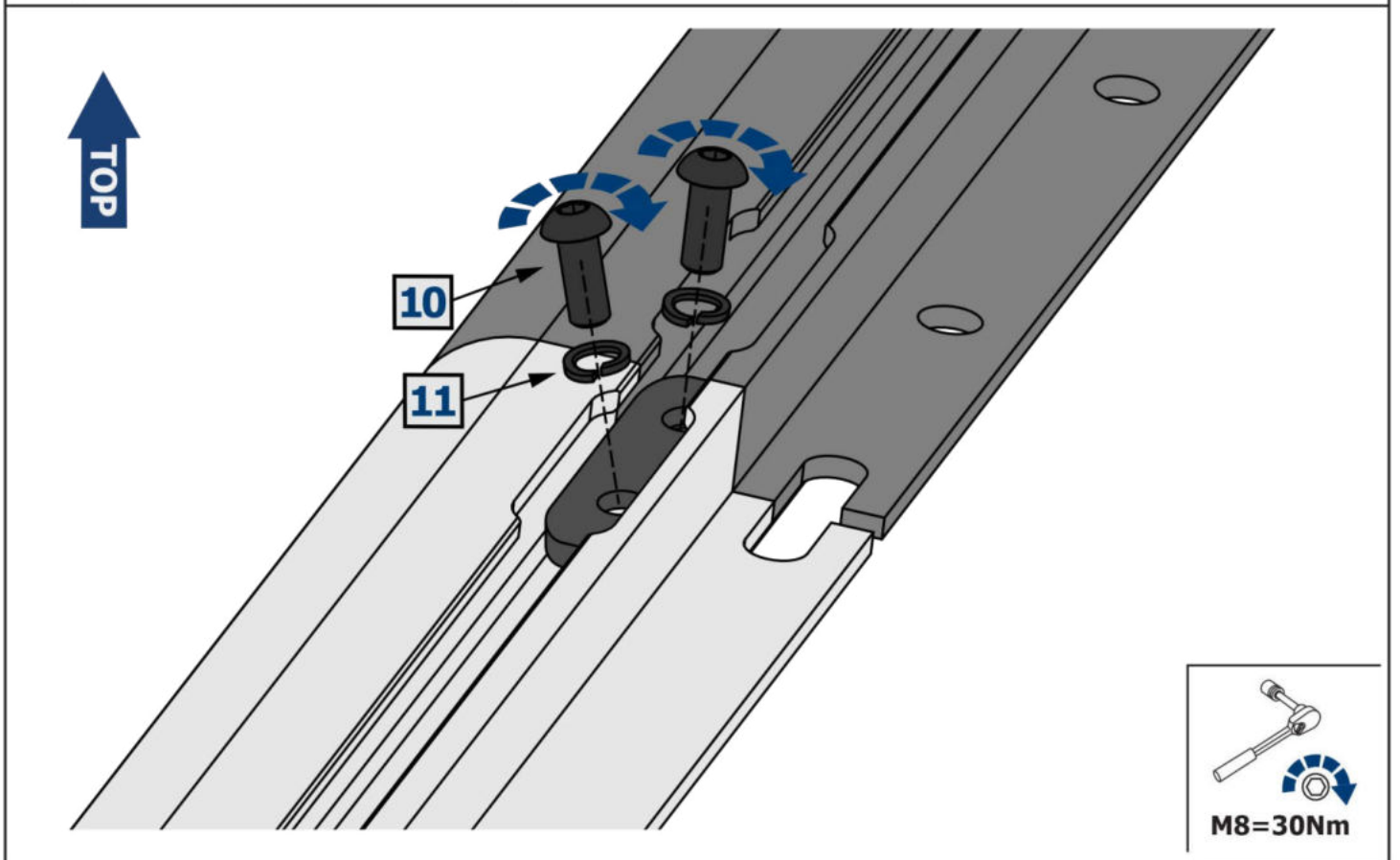
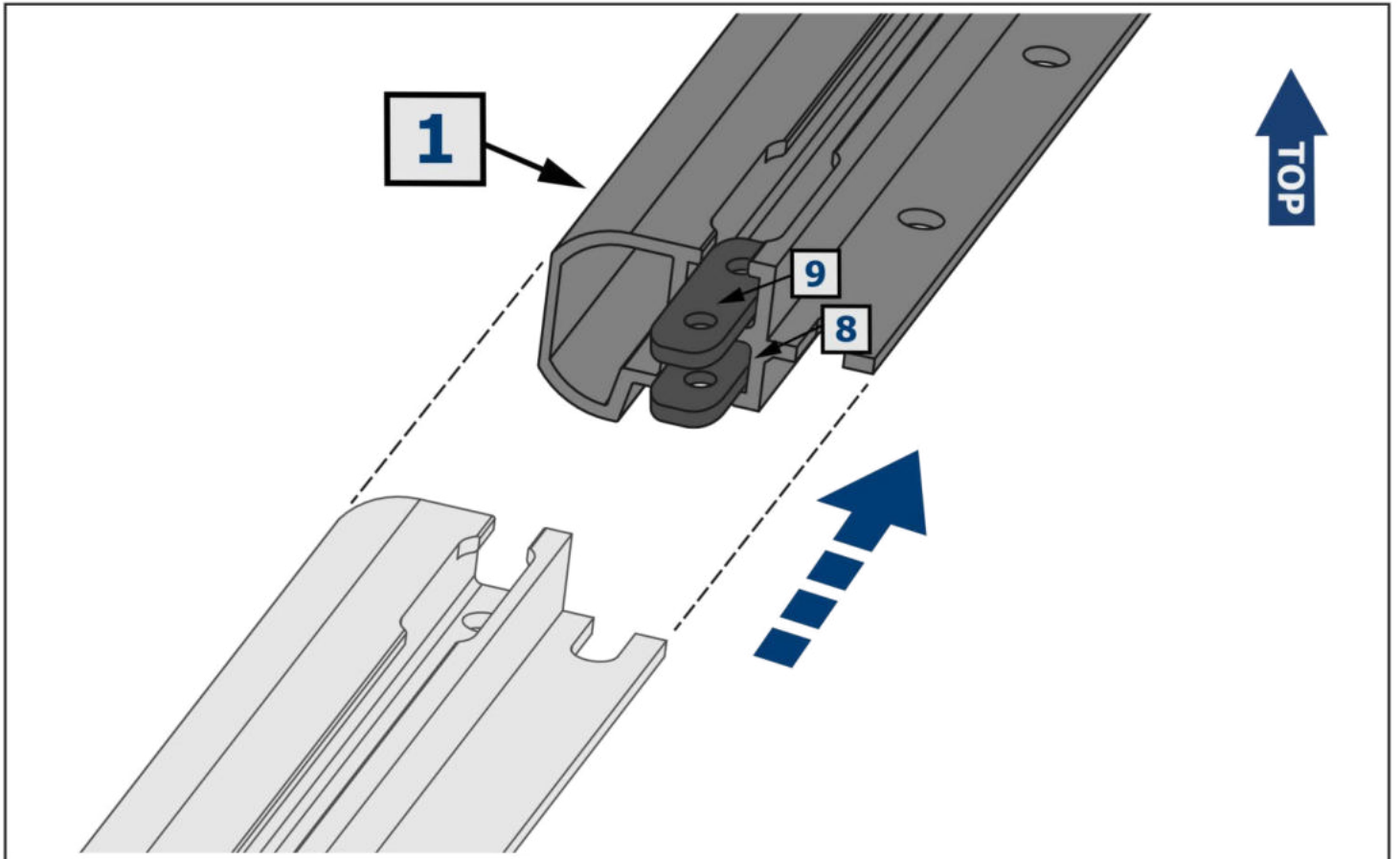
Location/Position Arrow

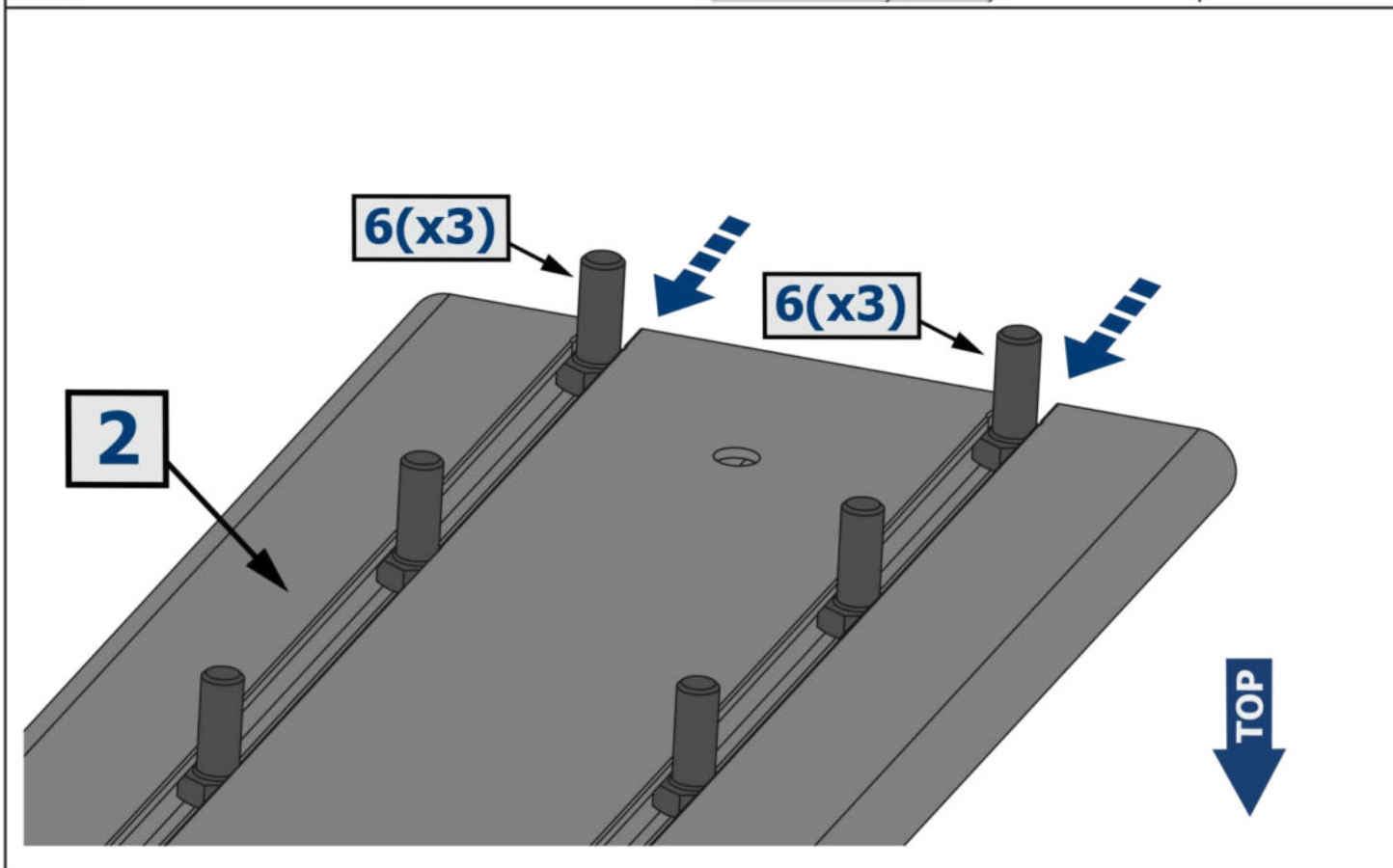
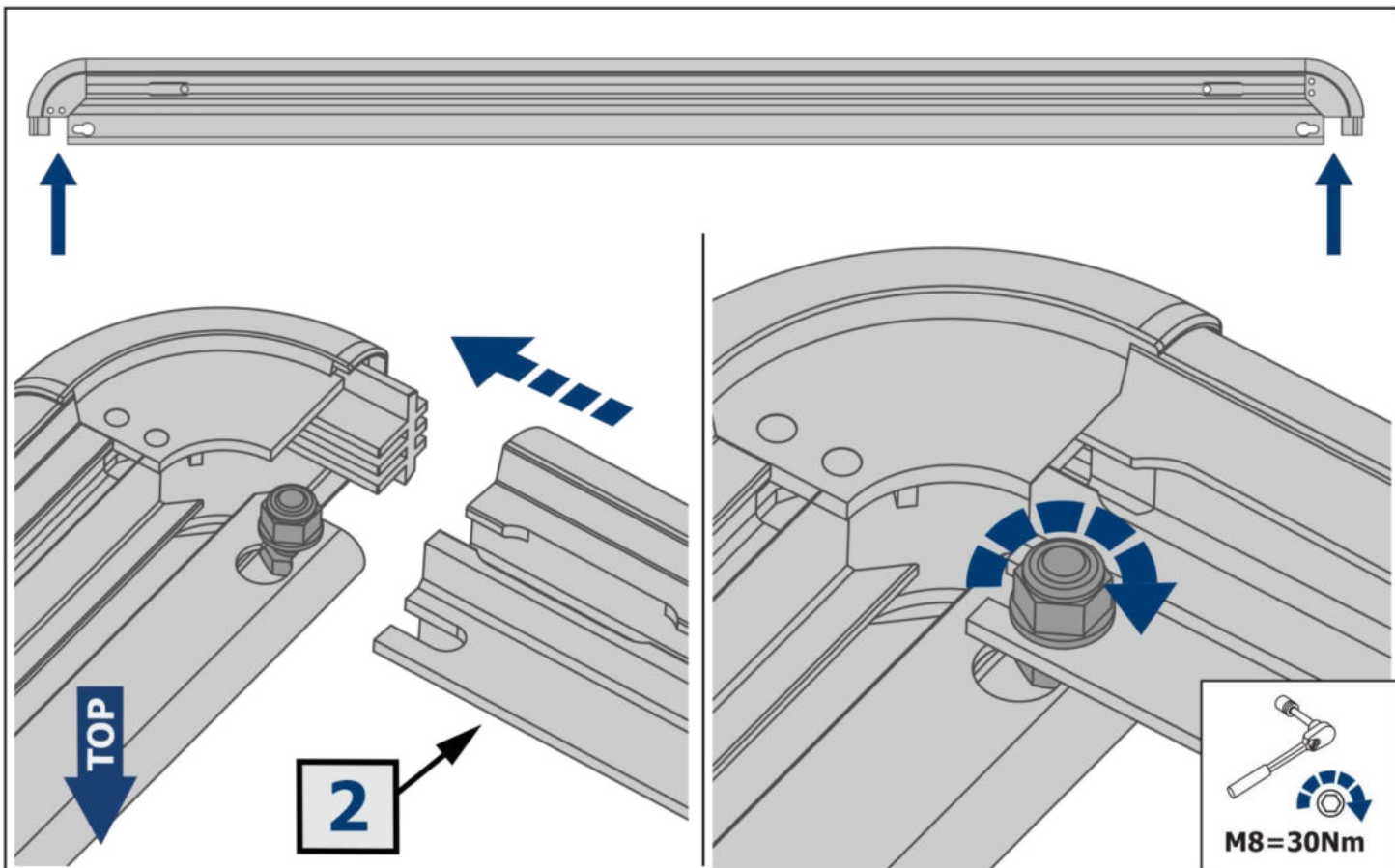


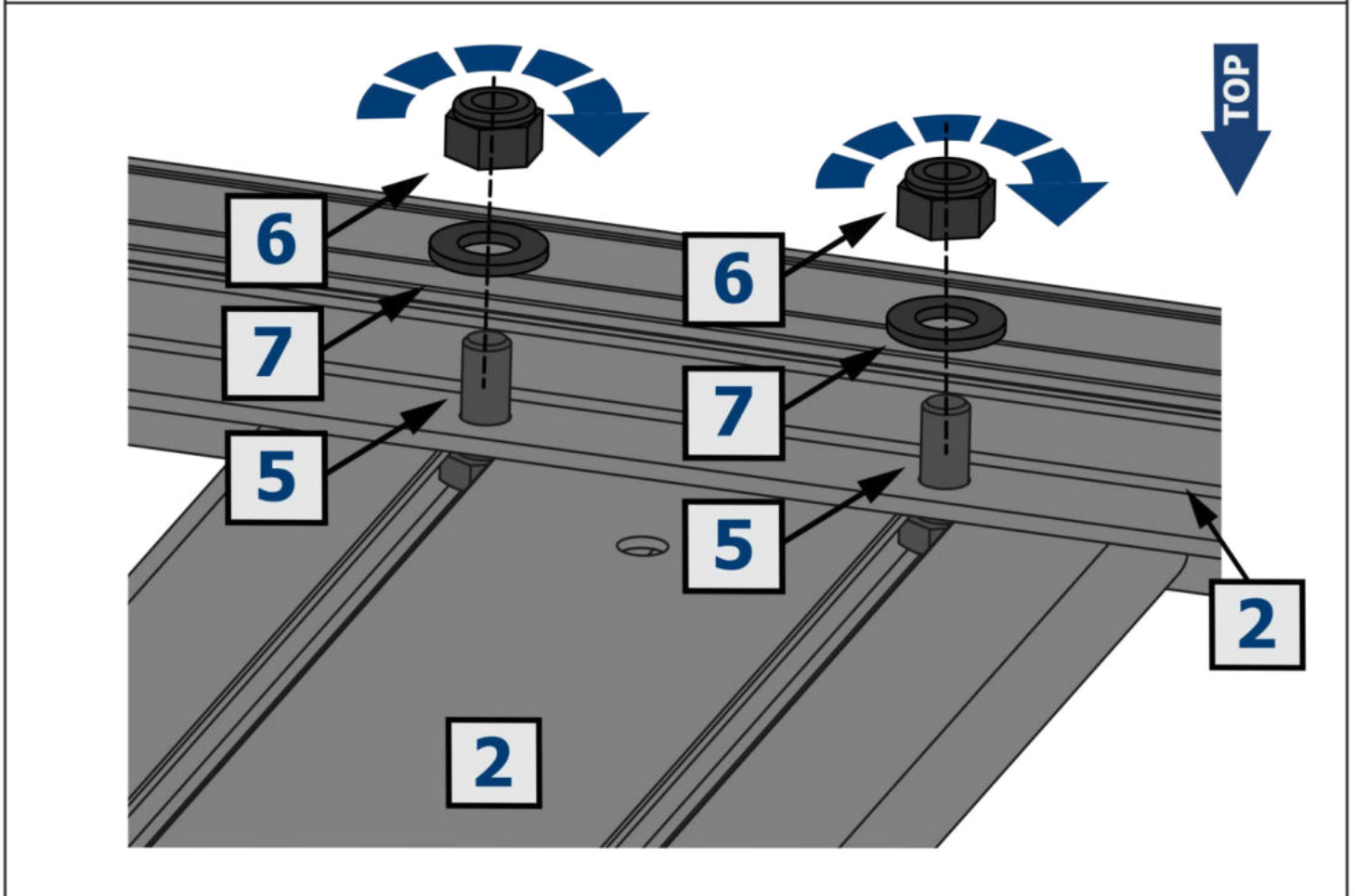
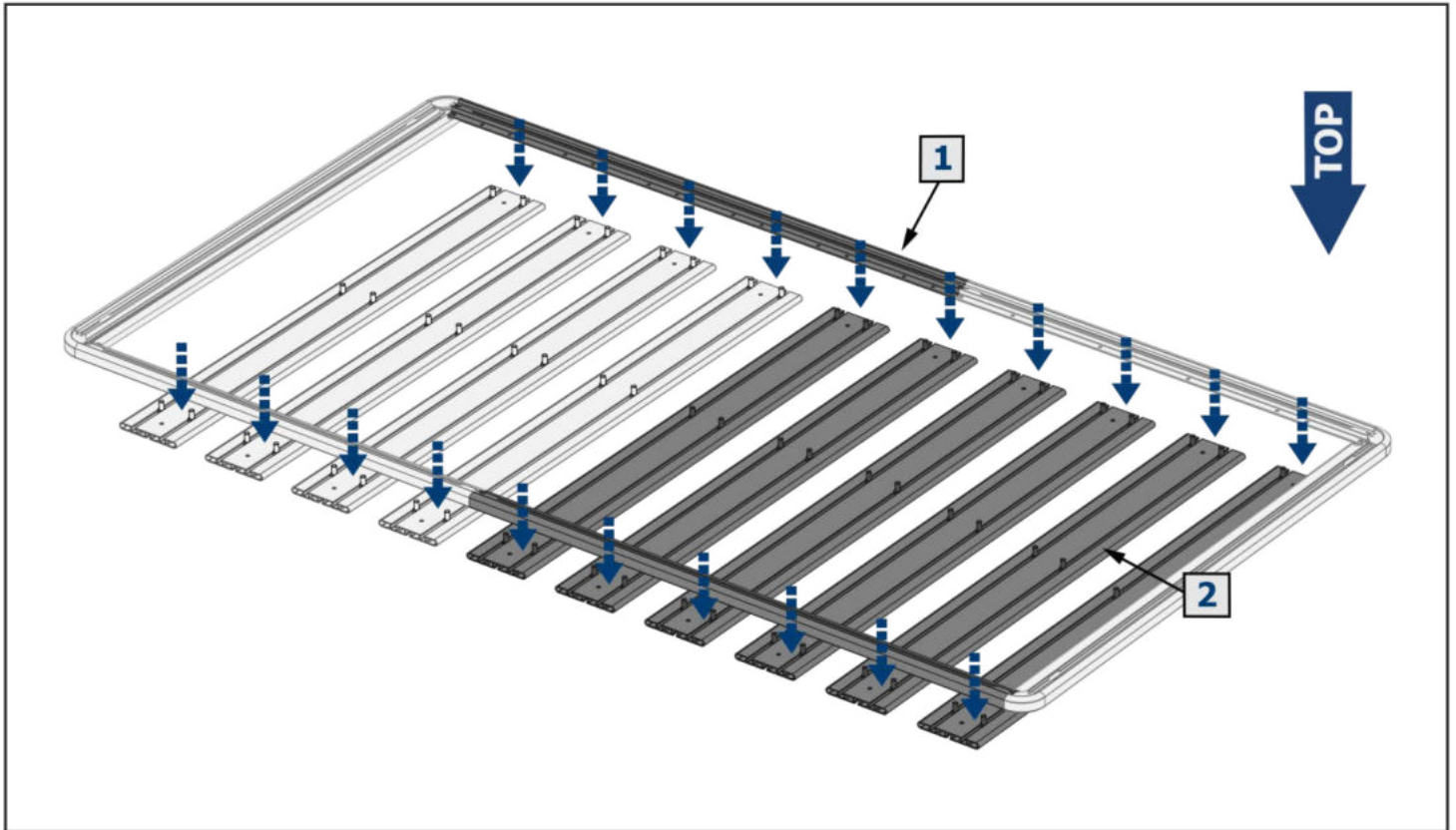
Screw Arrow

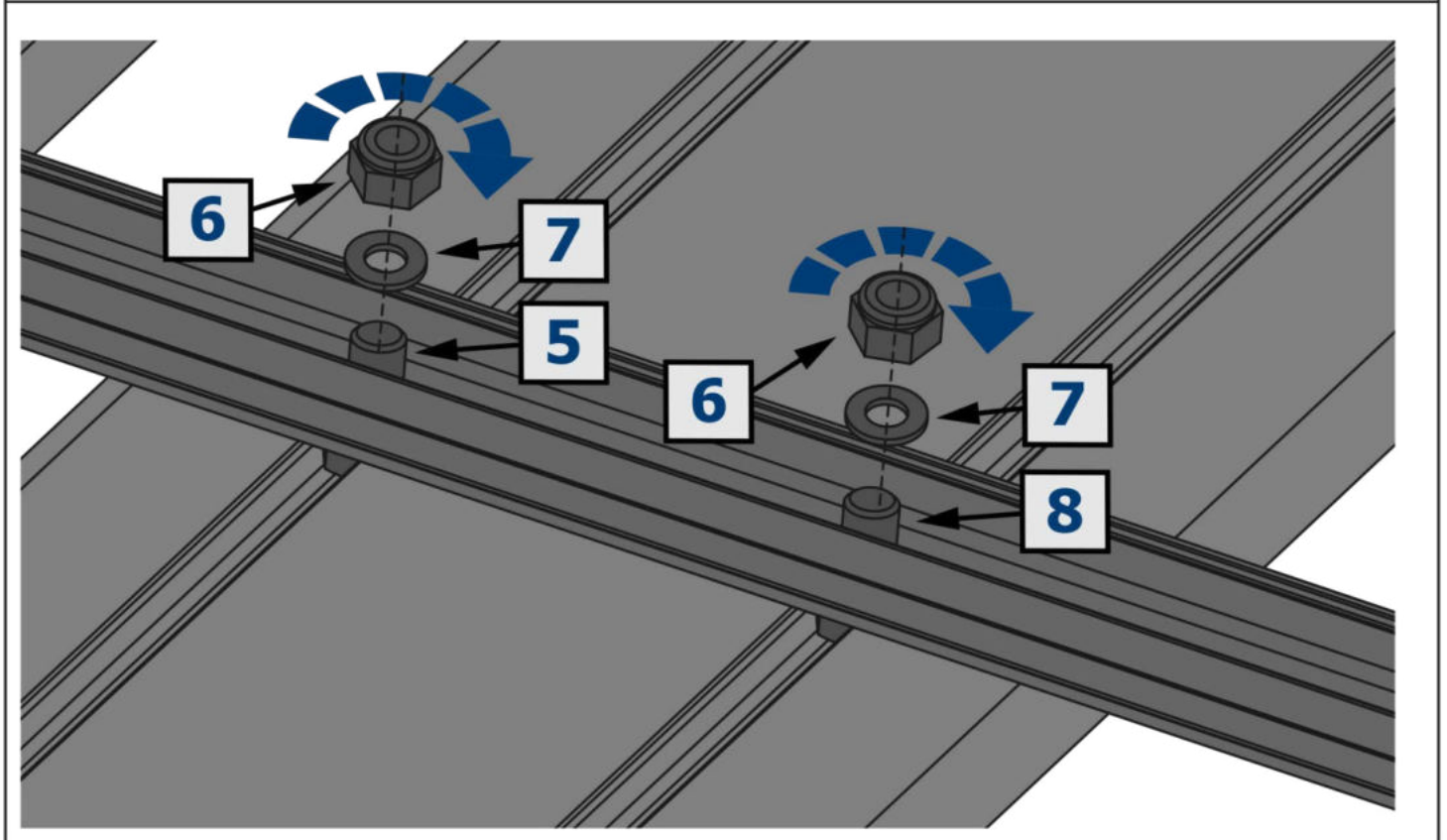
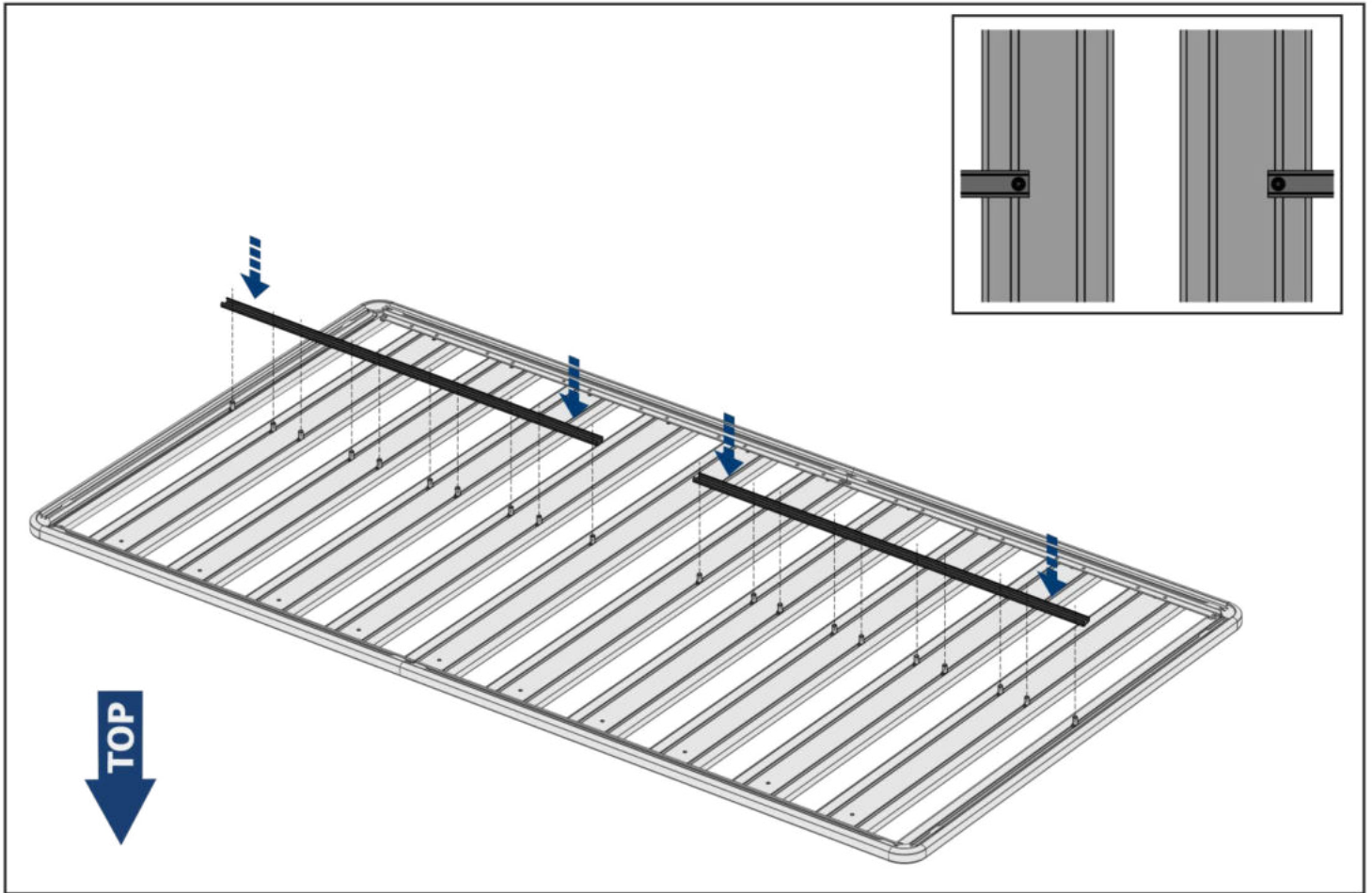






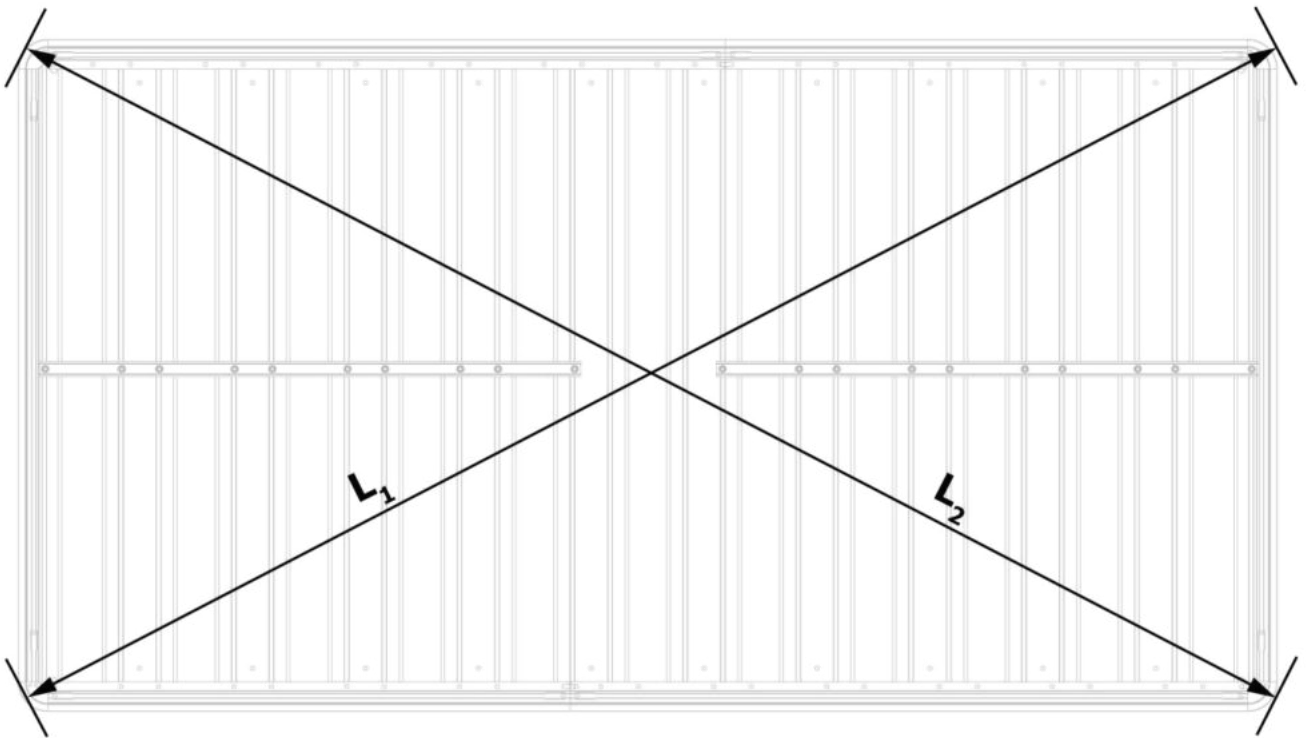
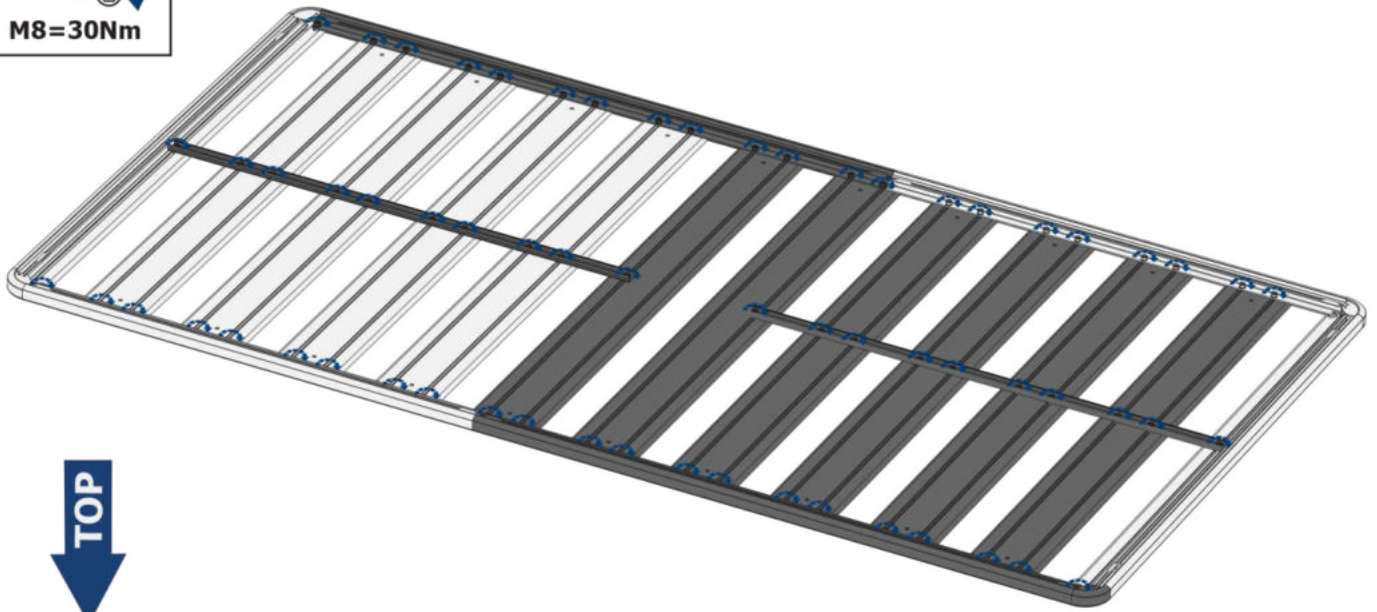








M8=30Nm



$$L_1 = L_2 \pm 1\text{mm}$$