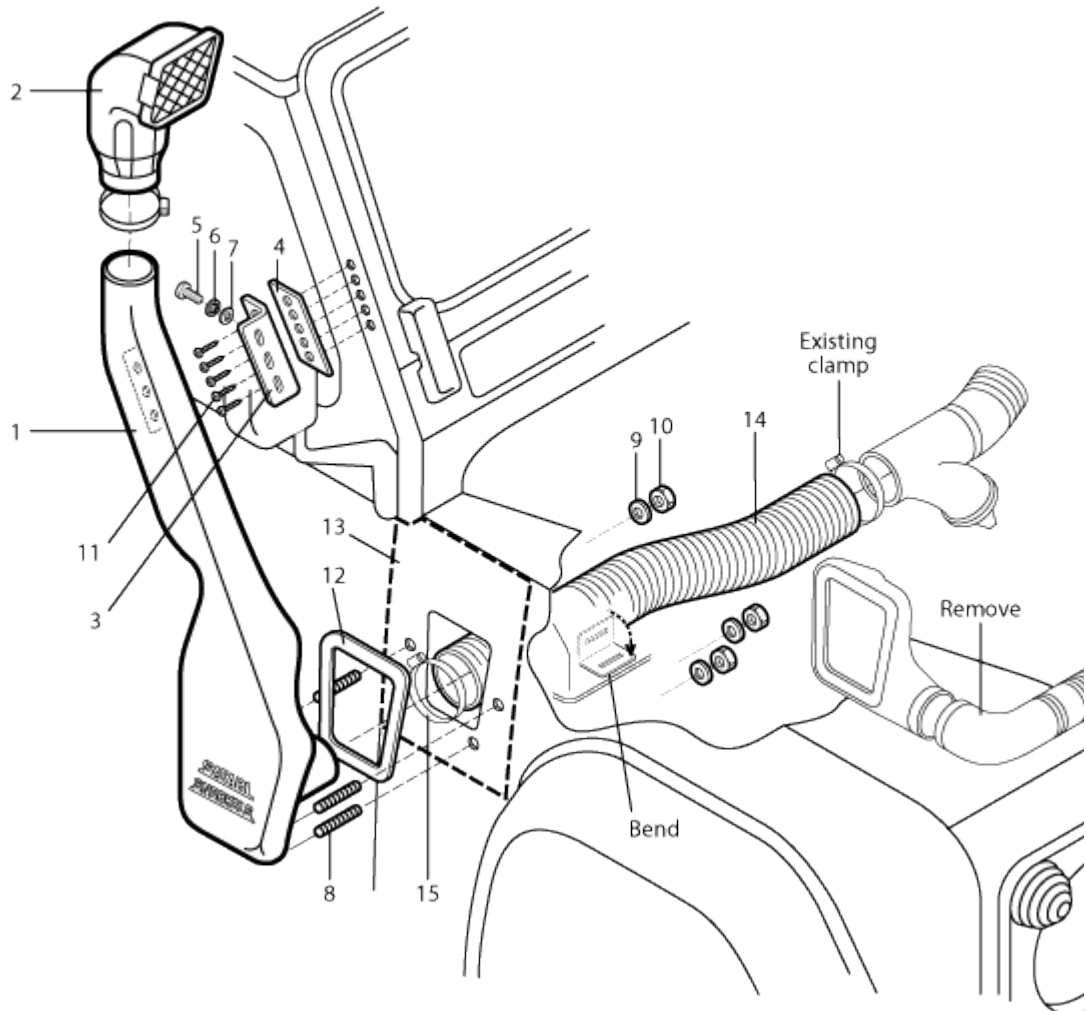


# SS 550HF

## Installation Guide

R.H.S. LAND ROVER DEFENDER SNORKEL TDI SS-550-HF



[Click Image above for High Resolution Diagram](#)

LAND ROVER DEFENDER TURBO DIESEL (2.5L) TDI 300  
SERIES POST MARCH 1994

**Fitment to:** Right hand side

**Fitting time:** Approximately 75 minutes

**Special Tools:**

- Unibit Step Drill

Remove:

- 1
  - Air intake grill from the right hand guard.
  - Radio antenna from the right hand guard.
  - From inside the engine bay, remove the moulded plastic duct and the first section of flexible duct.

- 2 Bend the lower antenna mount forward at least 90o to allow clearance for the snorkel snout.

- 3 Tape the template in position on the upper rear corner of the guard and mark the mounting hole locations using a felt pen. Remove the template. Drill the mounting holes to 16mm using a step drill. Deburr holes and paint.

- 4 Bolt the upper mounting bracket into position on the snorkel body. Insert the stainless steel studs into the back of the snorkel. Locate the snorkel on the vehicle and mark the upper mounting hole locations on the windscreen frame using a felt pen. Remove the snorkel from the car.

- 5 Drill the mounting holes to 3.5mm. Using a small amount of silicone, stick the foam gasket to the back of the snorkel body. Use the same method to join the upper mounting bracket to the bracket gasket.

- 6 Locate the snorkel on the vehicle and secure using appropriate hardware. Connect the snorkel to the water trap "T" piece using the flexible ducting supplied in the kit. Fasten this ducting using one genuine clamp and one clamp supplied.

- 7 Remove rubber flap from bottom of water trap "T". Apply silicone to rubber flap and refit to seal permanently.

- 8 Fit the air ram to the top of the snorkel and tighten the clamp. Refit the radio antenna to the guard.

**WARNING: IT IS THE INSTALLERS RESPONSIBILITY TO ENSURE ALL CONNECTIONS ARE WATER TIGHT.**

ITEM	IMAGE	DESCRIPTION	QTY	PART NO.
------	-------	-------------	-----	----------

1		BODY SNORKEL	1	810-133-200
2		3 1/2" AIR RAM - Assembly	1	000-135-650
3		BRACKET - Upper - Mounting	1	810-032-000
4		GASKET	1	810-435-000
5		BOLT - Hex - 6mm x 1.0 x 12mm	3	000-002-100
6		STUD - 8mm x 1.25 x 25mm - O/L	3	000-110
7		WASHER - Body - 8mm x 30mm	3	000-311

8		NUT - Nyloc - 8mm x 1.25	3	000- 205
9		SCREW - S/T - 4.2mm x 13mm	5	000- 951
10		GASKET - Foam Body	1	810- 016- 200
11		TEMPLATE	1	810- 017- 200
12		CUFFED HOSE - 60mm ID x 400mm	1	000- 881- 040
13		HOSE - CLAMP - 50/70mm - (SILVER)	1	000- 906
14		HOSE - CLAMP - SIZE 56 (BLACK)	1	000- 914/B